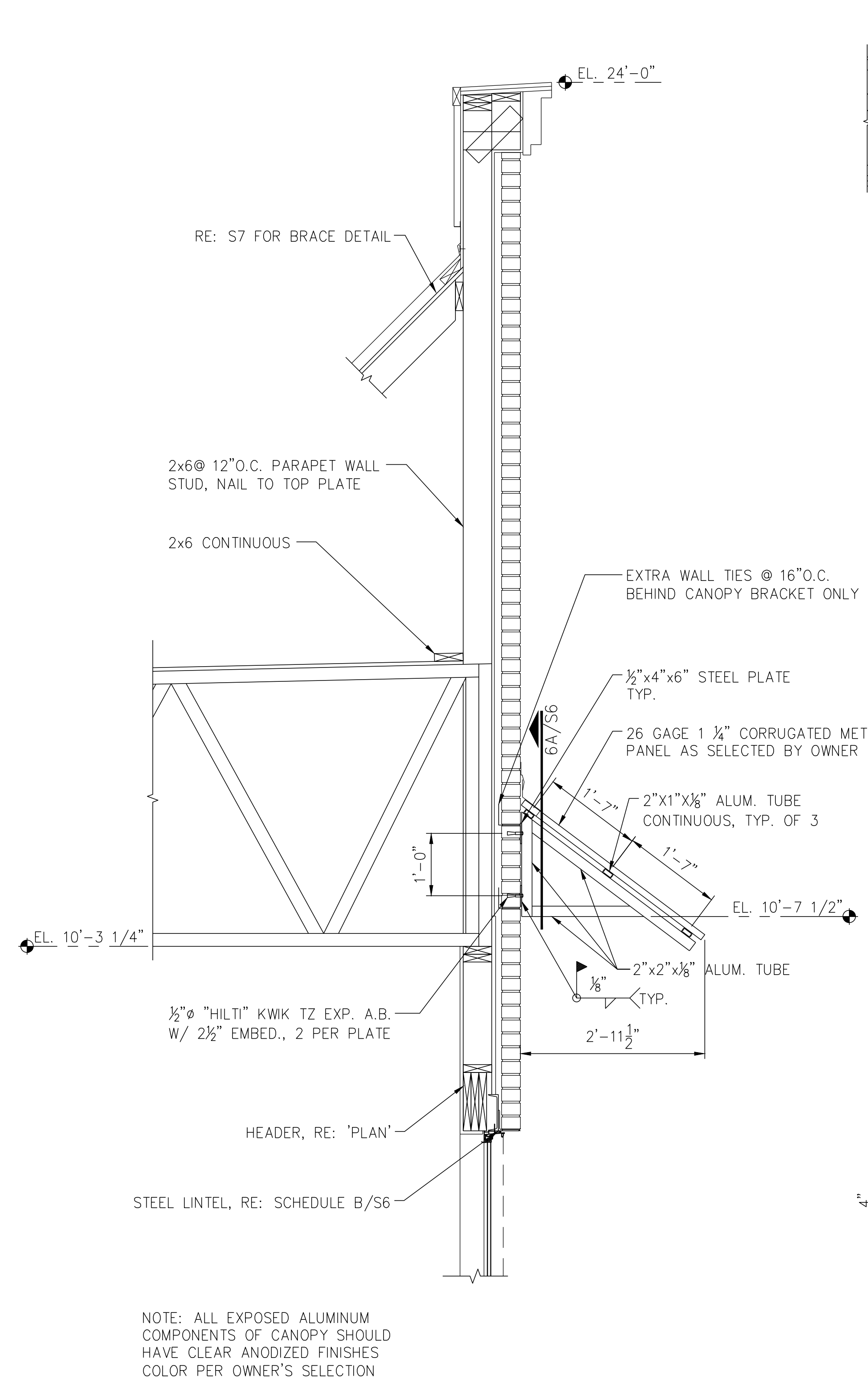
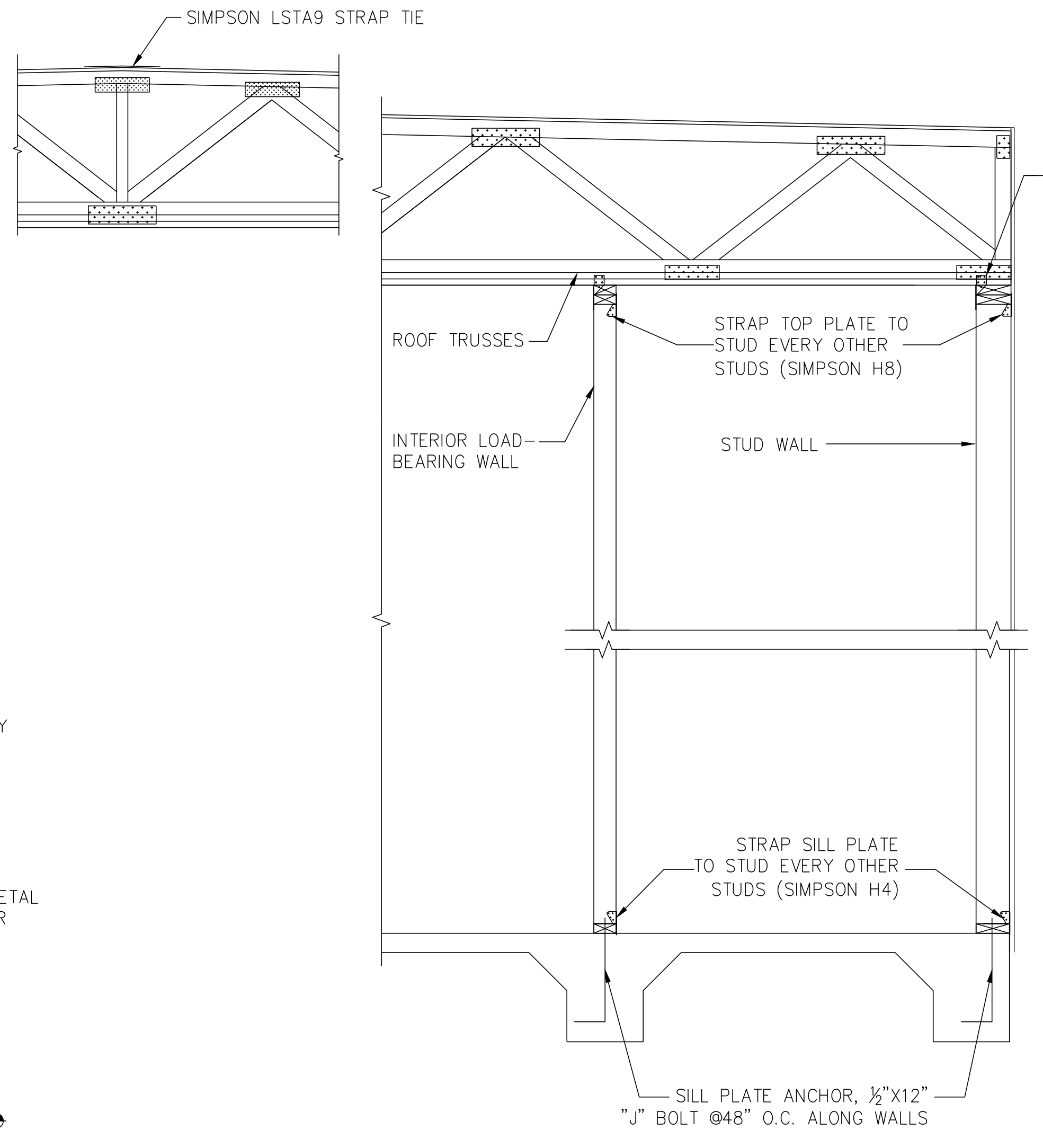


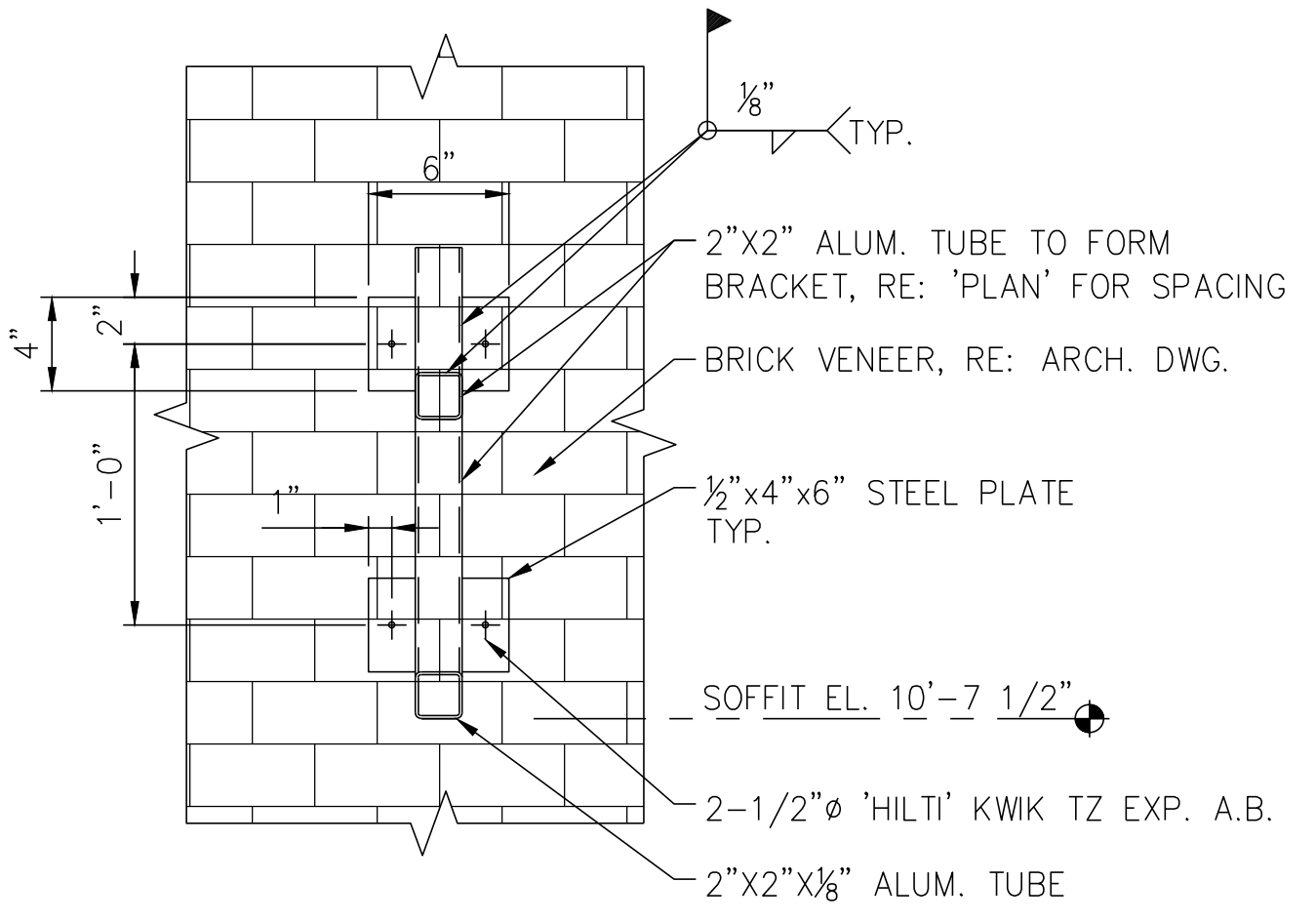
REVISIONS AND ISSUANCE		
NO.	DATE	DESCRIPTION



6 TYPICAL FRONT WALL AT CANOPY
SCALE: 3/4" = 1'-0"



A TYPICAL WIND STRAP DETAIL
SCALE: 3/4" = 1'-0"

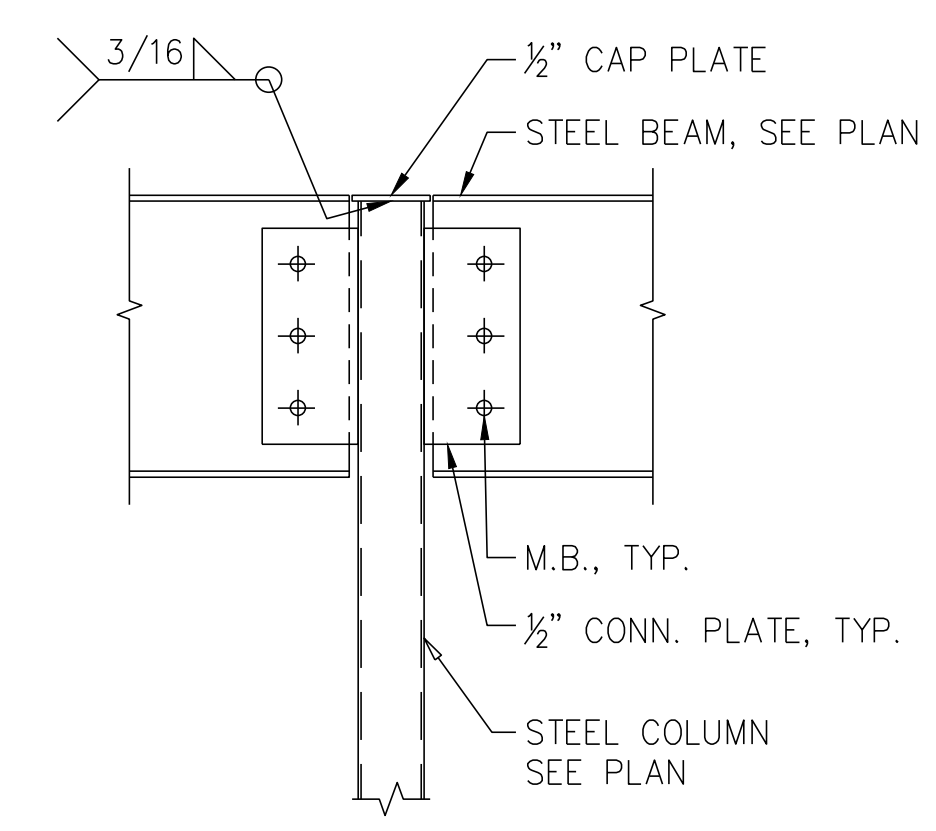


6A BRACKET NORMAL VIEW
SCALE: 1 1/2" = 1'-0"

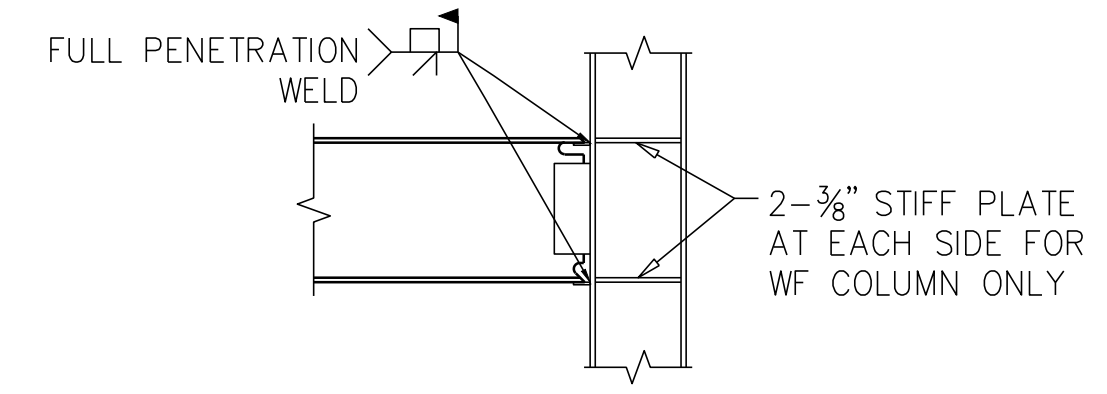
STEEL LOOSE LINTELS		
OPENING	SIZE	DETAIL
0'-0" - 4'-0"	L3 1/2X3 1/2X1/4	L
4'-0" - 5'-0"	L4X3 1/2X1/4	L
5'-0" - 6'-0"	L5X3 1/2X1/4	L
6'-0" - 7'-0"	L6X3 1/2X3/8	L
7'-0" - 9'-0"	C7X9.8 W/L3 1/2X3 1/2X5/16	L
9'-0" - 13'-0"	C10X20 W/L3 1/2X3 1/2X5/16	L

NOTES:
 1. 8" MINIMUM BEARING AT EACH END OF STEEL LINTEL.
 2. SEE ARCHITECTURAL DRAWING FOR LOCATION.
 3. LEDGE ANGLE WELDS TO CHANNELS TOP & BOTTOM, 3" @12" O.C.

B BRICK VENEER STEEL LOOSE LINTELS
SCALE: NTS



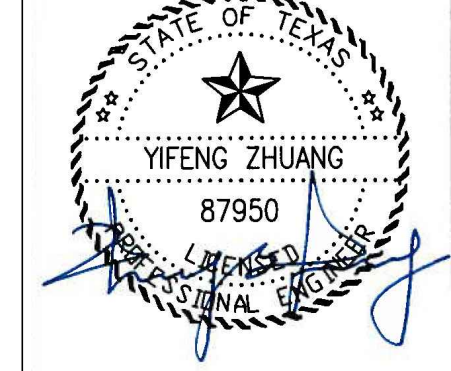
C TYPICAL SECTION
SCALE: 3/4" = 1'-0"



D MOMENT CONNECTION DETAIL
SCALE: 3/4" = 1'-0"

IVY KIDS EARLY LEARNING CENTER
 LOT COM21
 CROSS CREEK RANCH
 6407 CROSS CREEK BEND LANE
 FULSHEAR, Tx 77441

MISSION ENGINEERING INC.
 10370 RICHMOND AVE, #560
 HOUSTON, TEXAS 77042
 [T] 713-981-0018
 [E] dzhuang@missioneng.com
 TPEF Registration No. F-11771



06/20/2019
 DRAWING TITLE
 FRAMING DETAILS

DRAWN BY HW	CHECKED BY EL
DATE 06/20/2019	JOB NO. 1903081
DRAWING NO. S6	