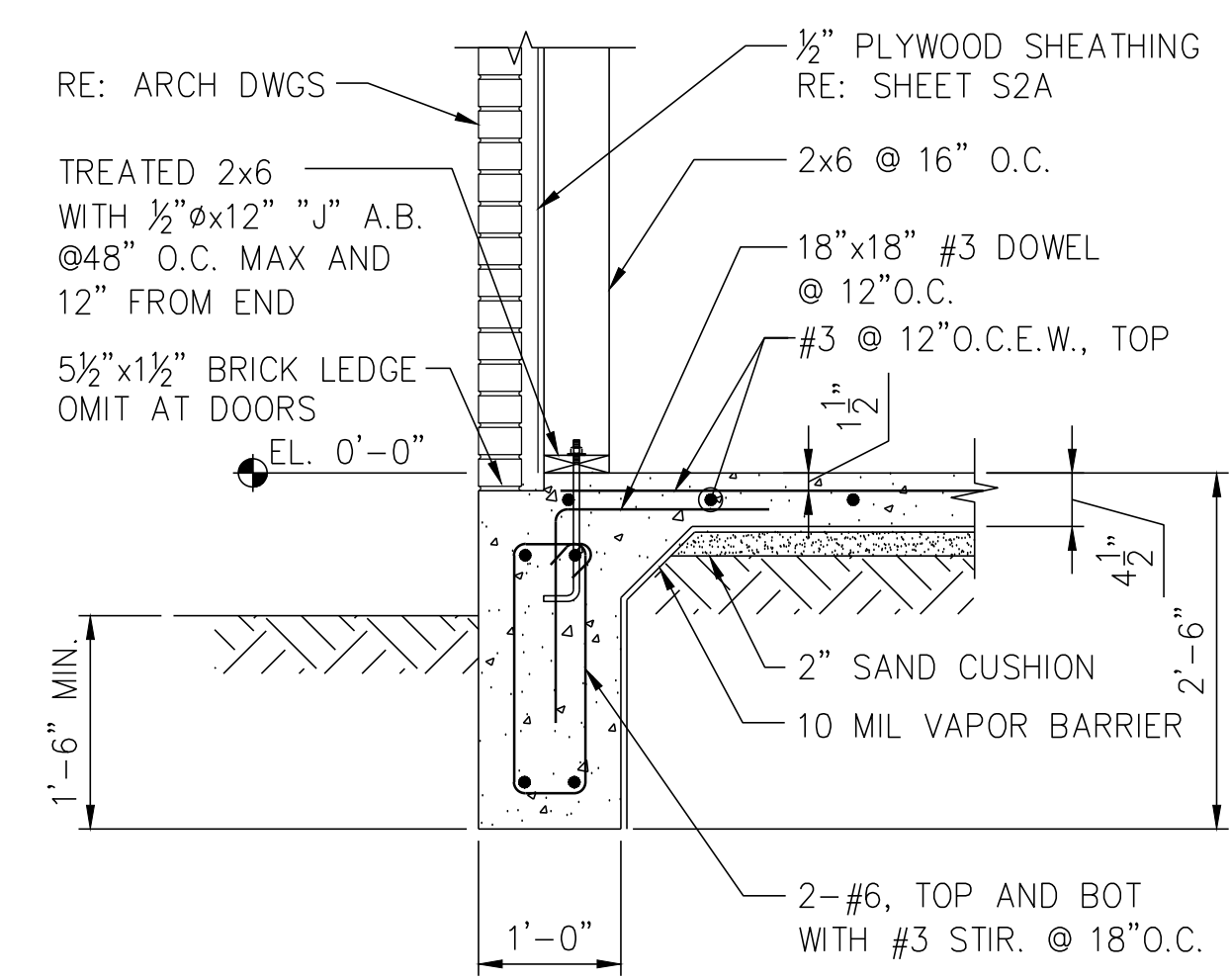
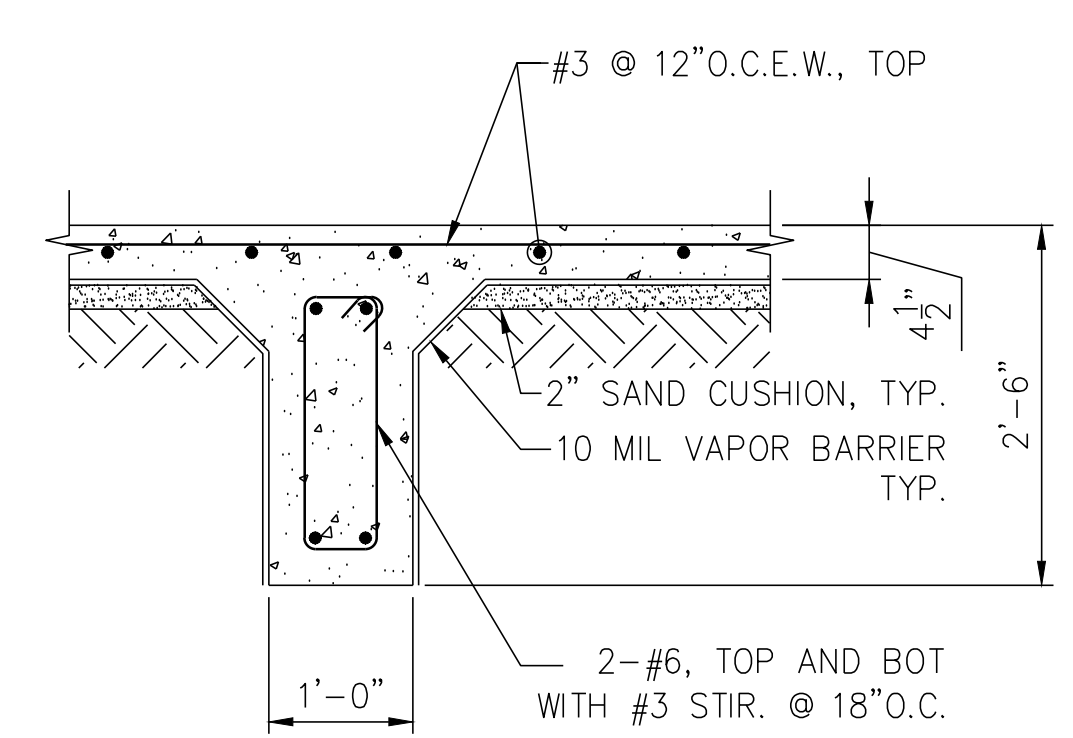


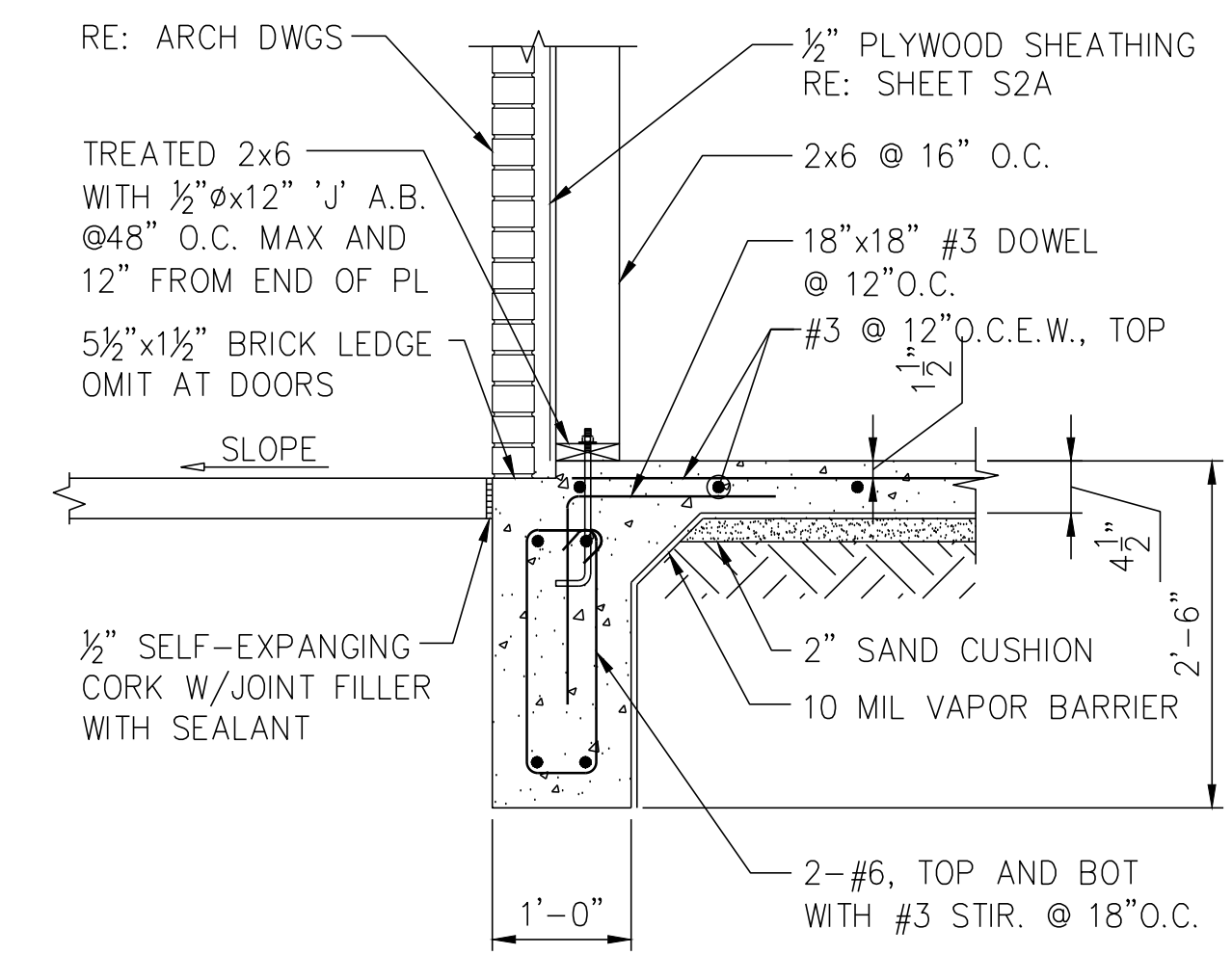
REVISIONS AND ISSUANCE		
NO.	DATE	DESCRIPTION



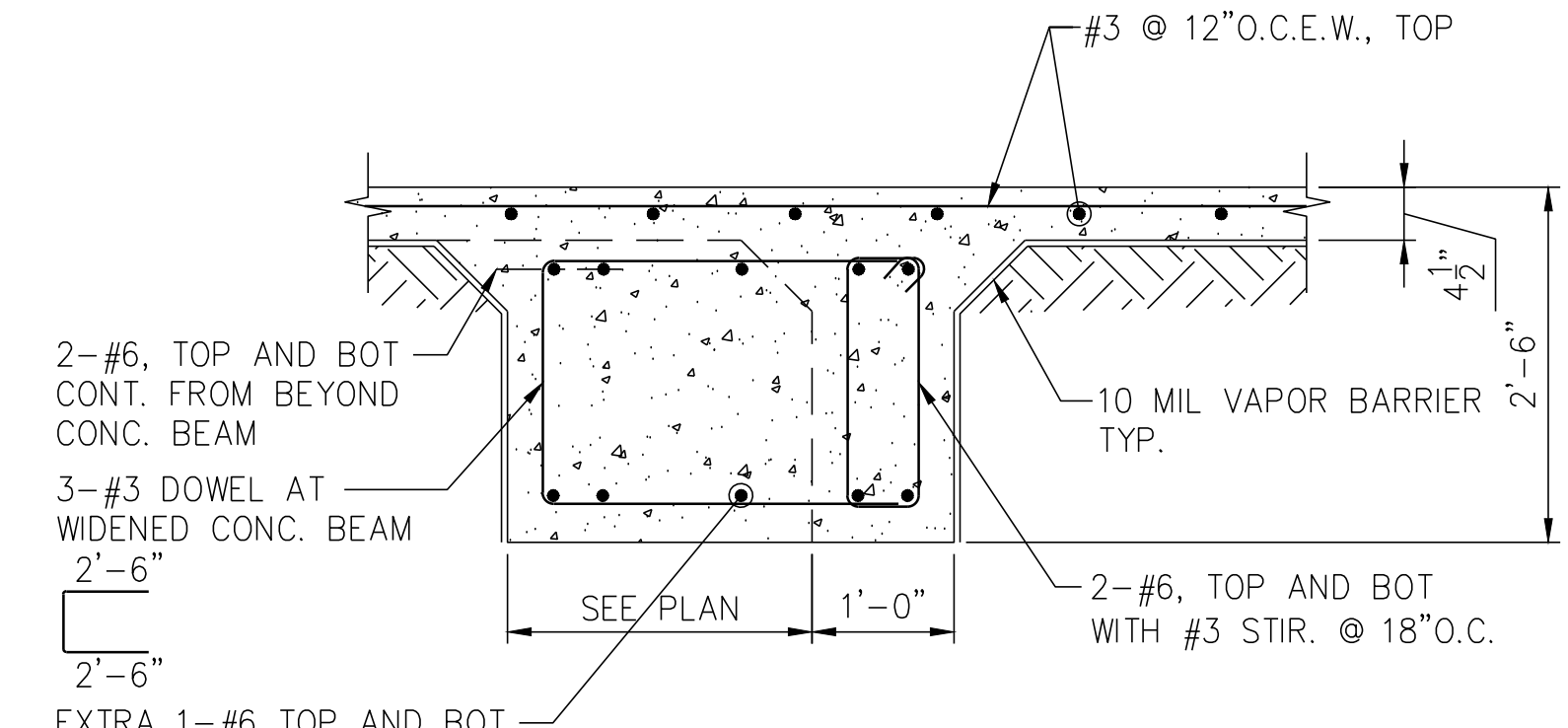
1 SECTION
SCALE: 3/4" = 1'-0"



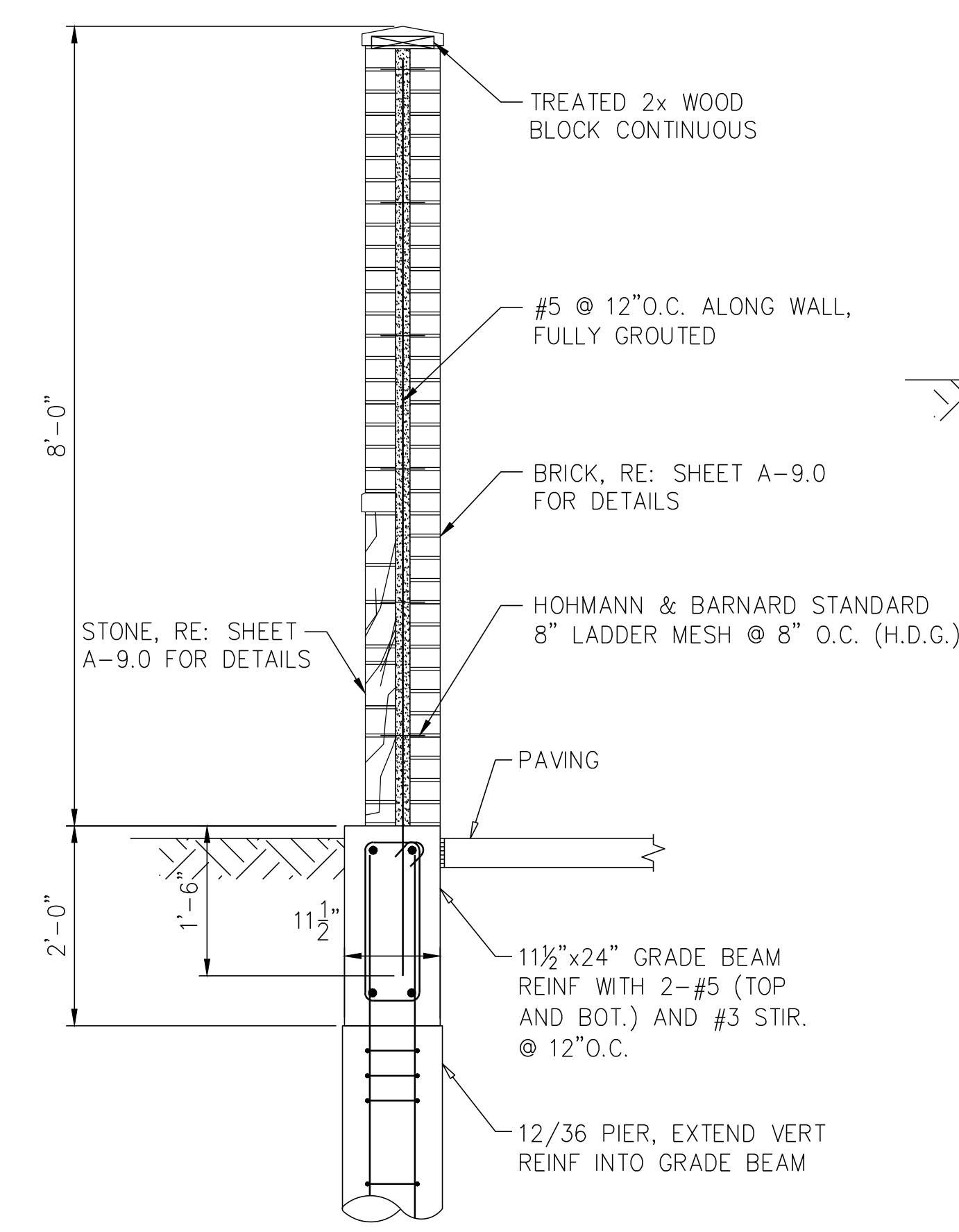
2 SECTION
SCALE: 3/4" = 1'-0"



3 SECTION
SCALE: 3/4" = 1'-0"

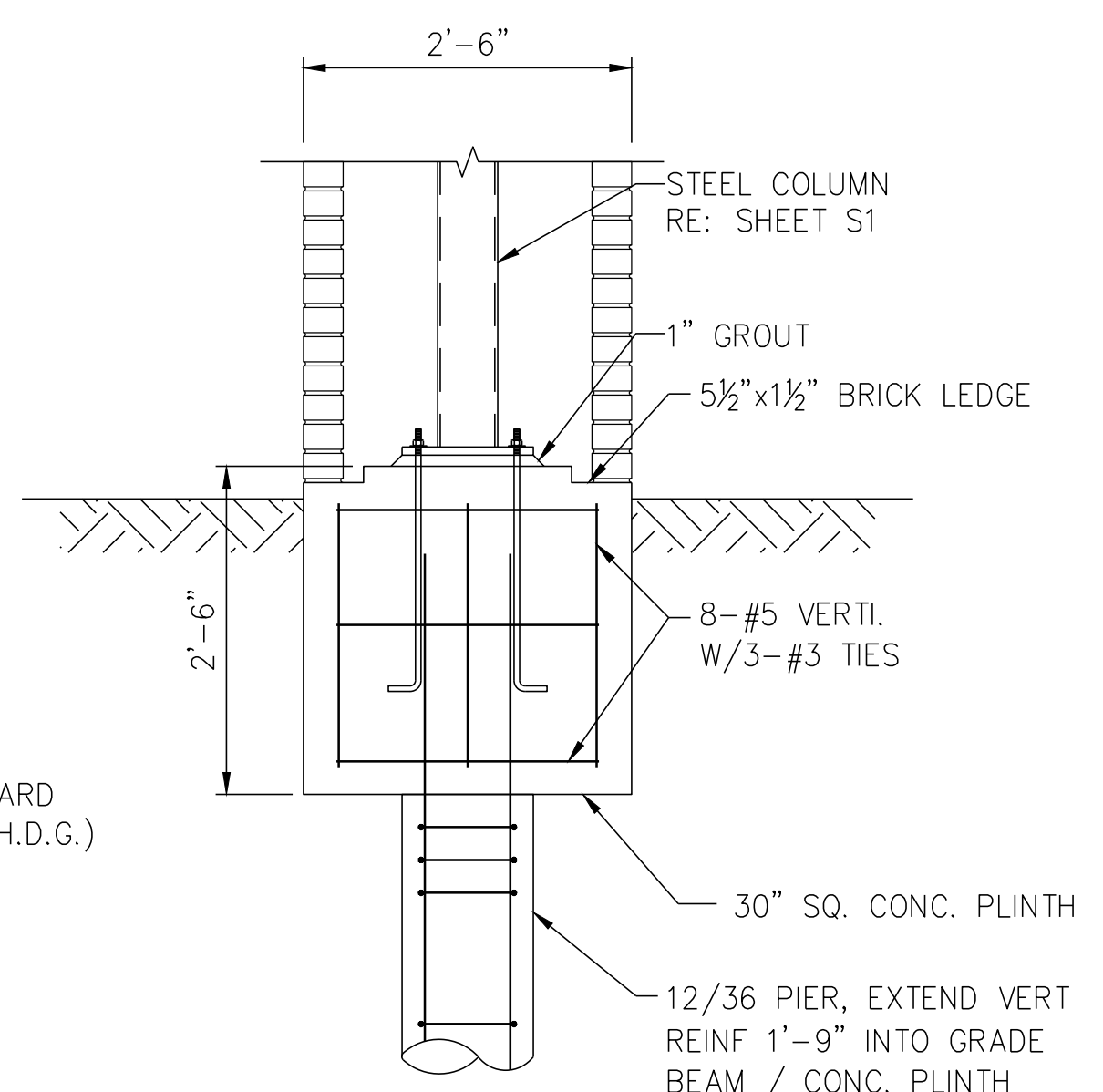


4 SECTION
SCALE: 3/4" = 1'-0"

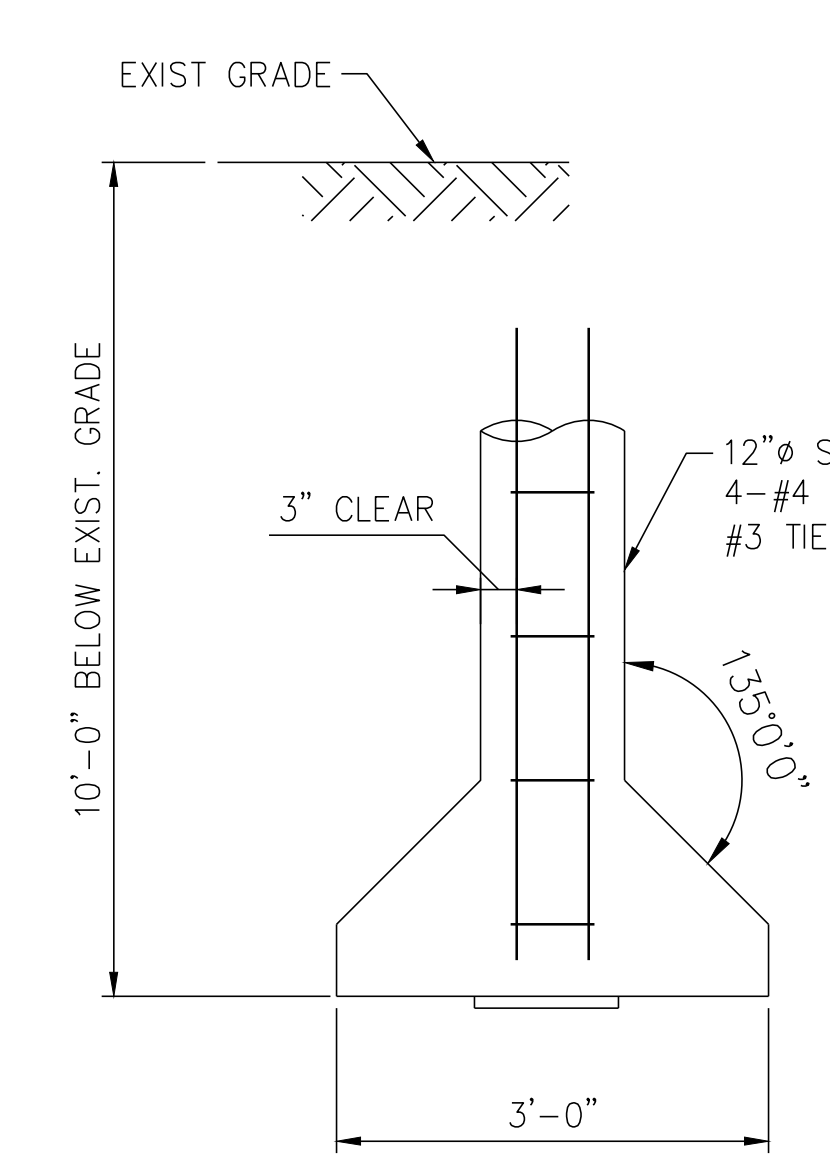


5 DUMPSTER WALL DETAIL
SCALE: 3/4" = 1'-0"

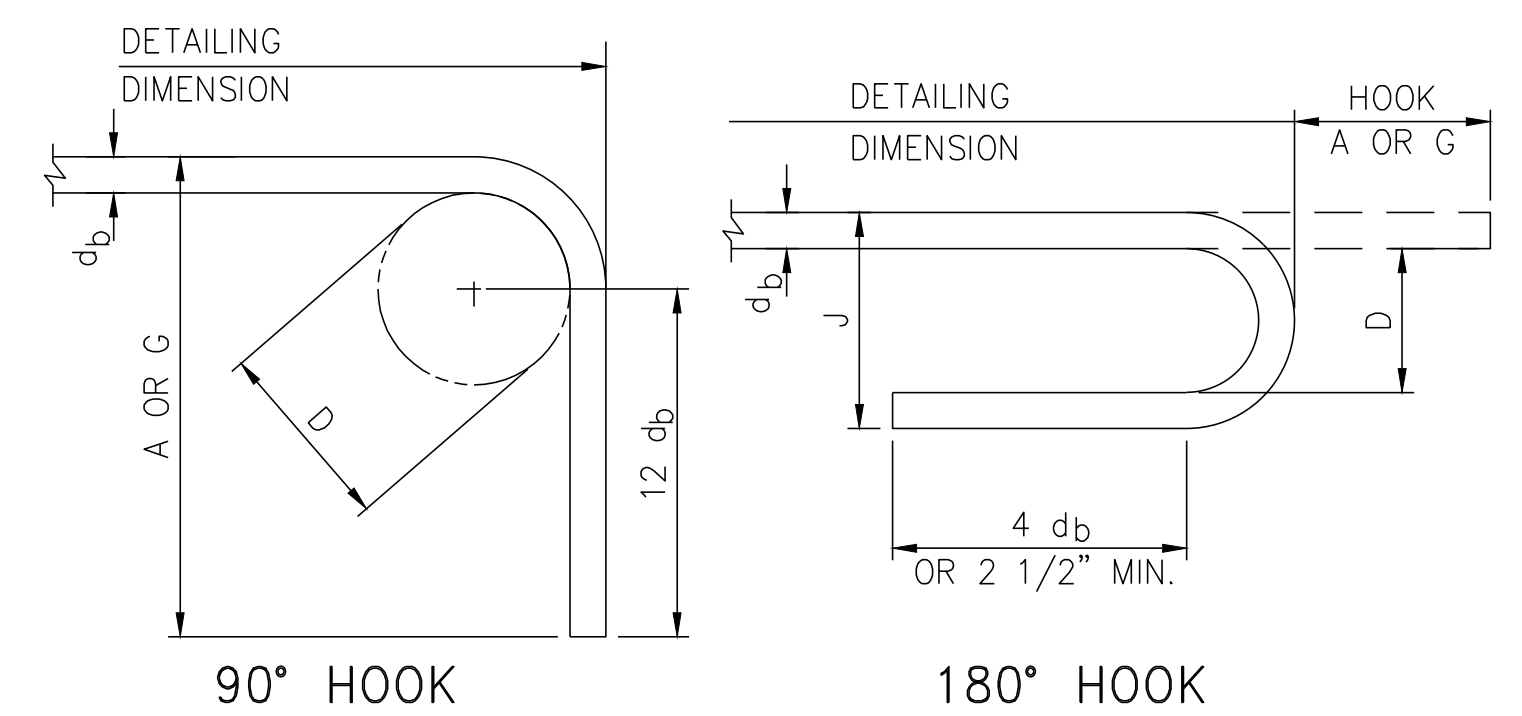
NOTE: REFER TO SITE AND ARCH DRAWINGS FOR LOCATIONS.



6 SECTION
SCALE: 3/4" = 1'-0"



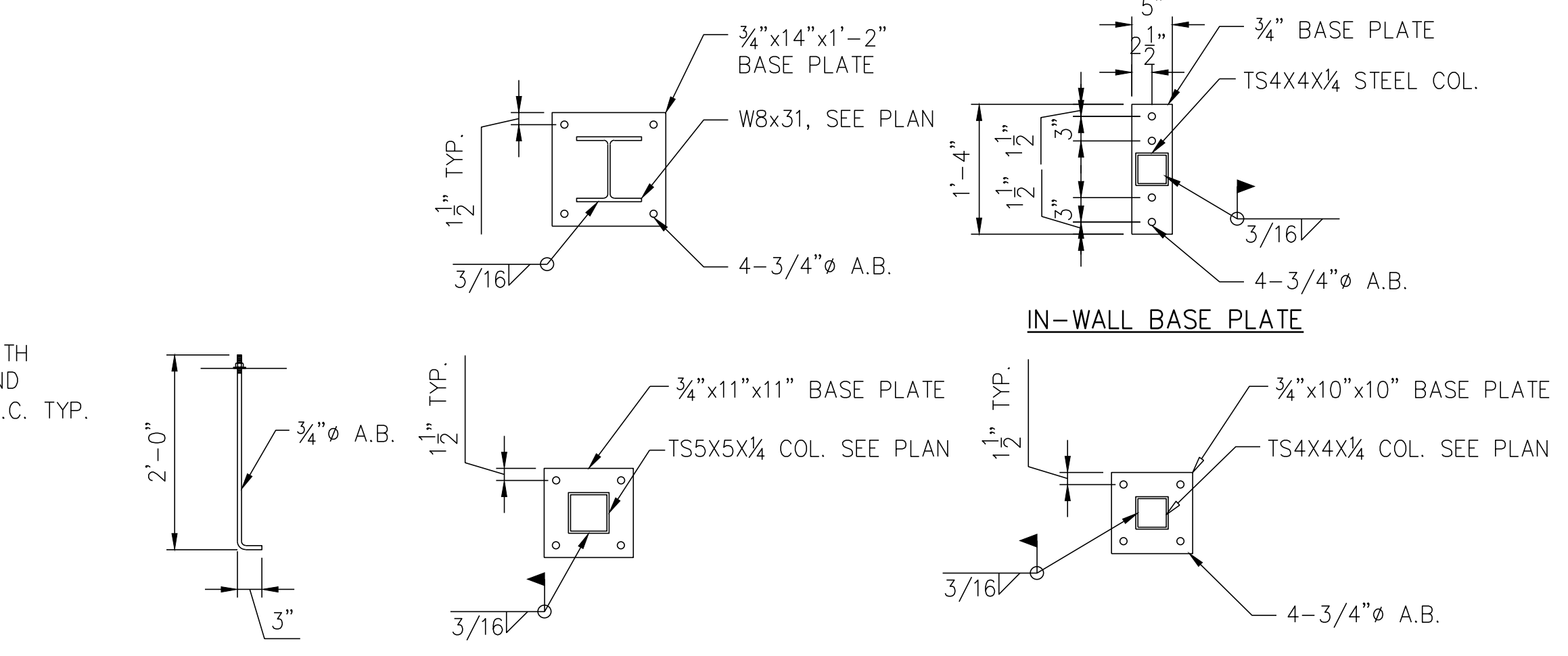
7 TYPICAL PIER DETAIL
SCALE: 3/4" = 1'-0"



RECOMMENDED END HOOKS, ALL GRADES

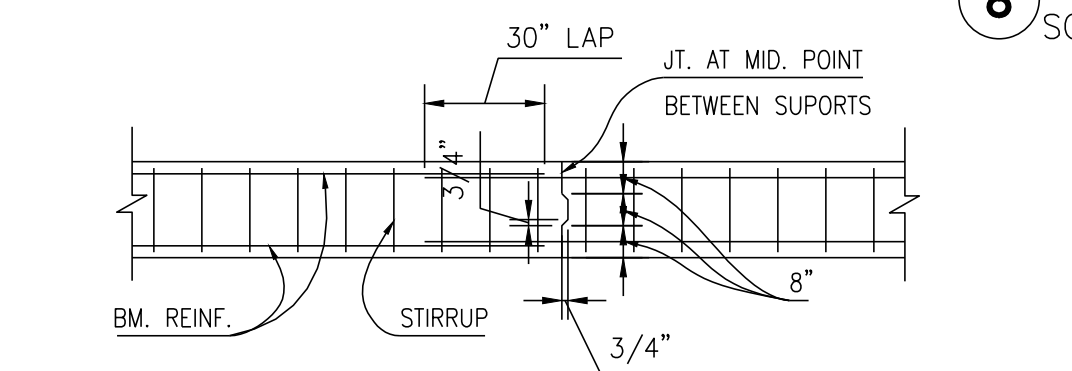
BAR SIZE	FINISHED BEND DIAMETER D.(IN.)	180° HOOKS		90° HOOKS
		A OR G,(IN)	J,(IN.)	A OR G,(IN)
#3	2 1/4	5	3	6
#4	3	6	4	8
#5	3 3/4	7	5	10
#6	4 1/2	8	6	12
#7	5 1/4	10	7	14

D=INSIDE DIAMETER OF BEND
A TYPICAL END HOOK DETAILS
SCALE: NTS

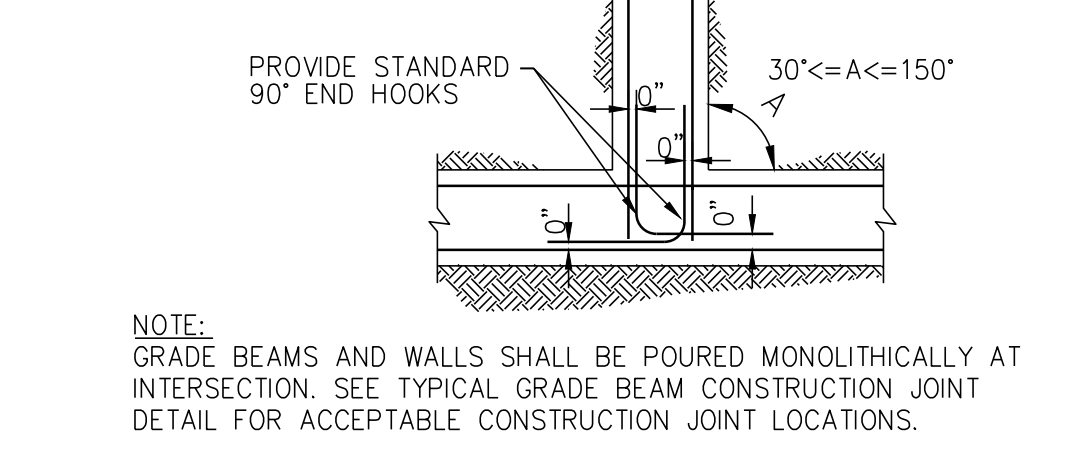


8 TYP BASE PLATE AND A.B. DETAILS
SCALE: 3/4" = 1'-0"

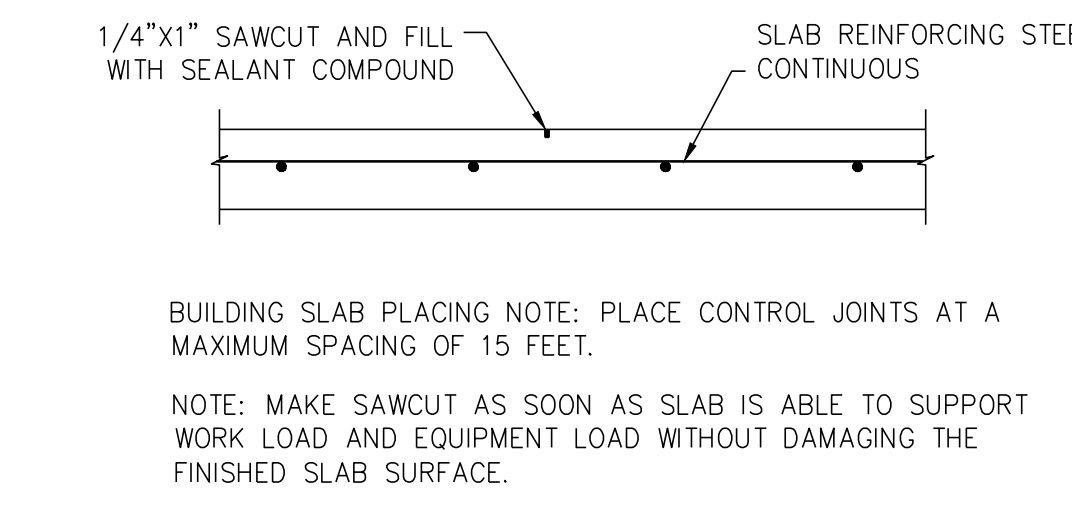
NOTE: COLUMN BASE PLATE SHALL BE SET ON 1" GROUT AND THE BOTTOM OF BASE PLATE ELEVATION SHALL BE AT 1" ABOVE FINISH FLOOR TYP.



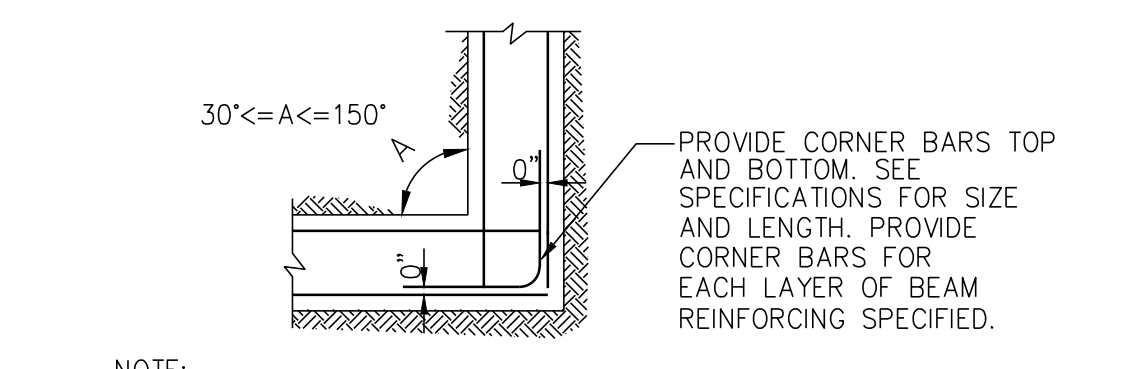
B GRADE BEAM CONSTRUCTION JOINT
SCALE: NTS



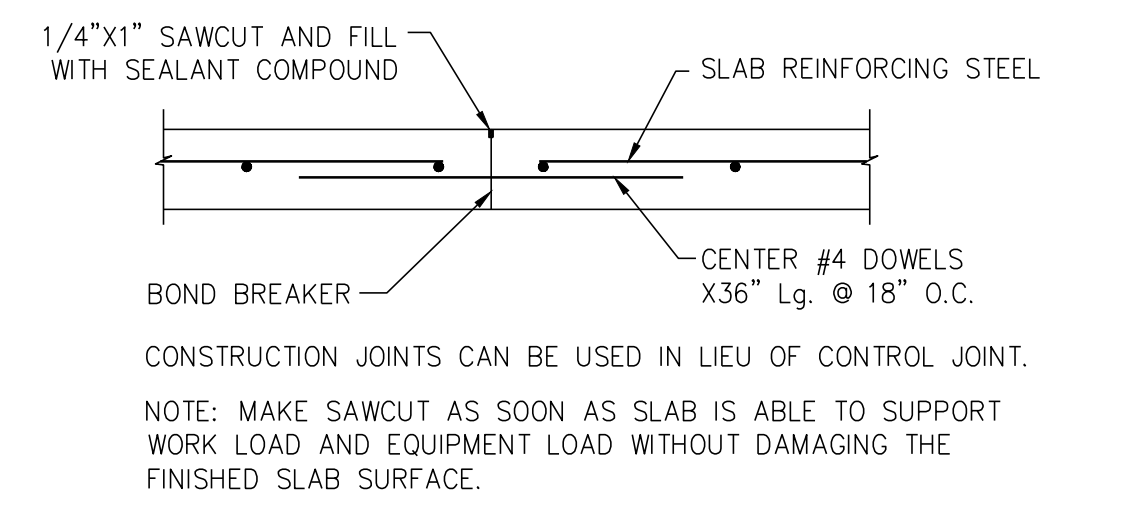
C TYPICAL DETAIL GRADE BEAM AND WALL "T" INTERSECTION TOP BAR PLACEMENT DIAGRAM
SCALE: NTS



E CONTROL JOINT DETAIL
SCALE: NTS



D TYPICAL DETAIL GRADE BEAM AND WALLS REINFORCING - STEEL SPLICE AT CORNERS (PLAN VIEW)
SCALE: NTS



F CONSTRUCTION JOINT DETAIL
SCALE: NTS

IVY KIDS EARLY LEARNING CENTER
LOT COM21
CROSS CREEK RANCH
6407 CROSS CREEK BEND LANE
FULSHEAR, Tx 77441

MISSION ENGINEERING INC.
10370 RICHMOND AVE, #560
HOUSTON, TEXAS 77042
[T] 713-981-0018
[E] dzhuang@missioneng.com
TPEF Registration No. F-11771



06/20/2019
DRAWING TITLE
FOUNDATION DETAILS
DRAWN BY HW
CHECKED BY EL
DATE 06/20/2019
JOB NO. 1903081
DRAWING NO.
S3