

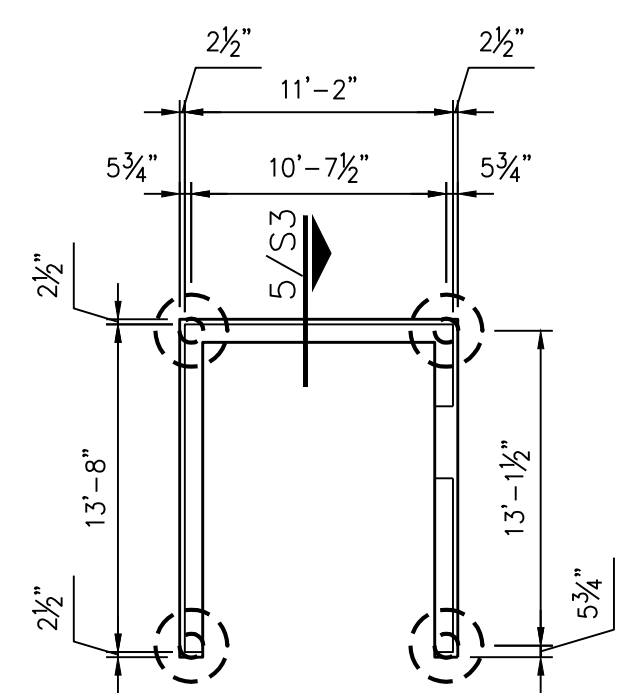
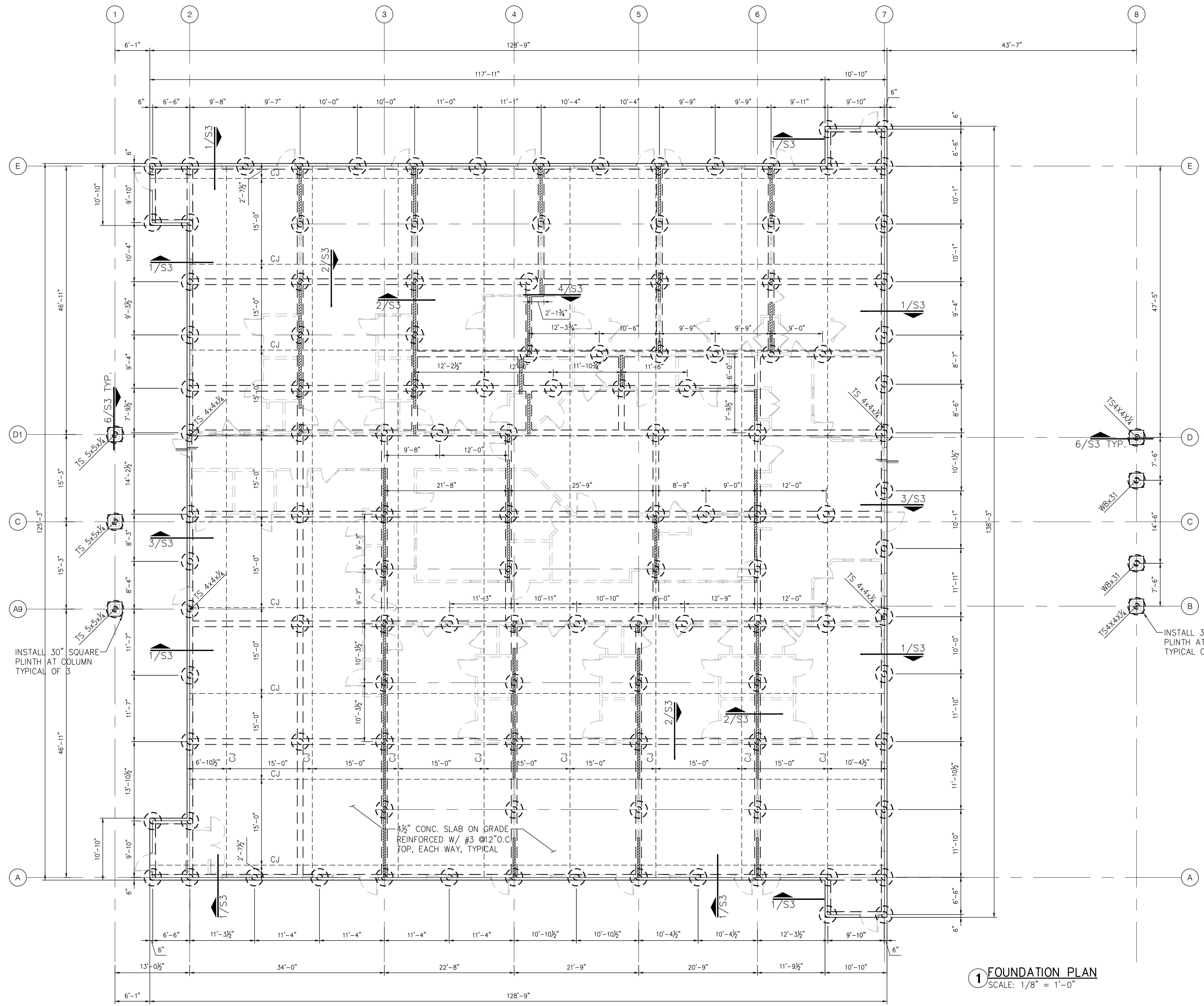
REVISIONS AND ISSUANCE		
NO.	DATE	DESCRIPTION

### FOUNDATION NOTES

- ALL GRADE BEAMS ARE 12" WIDE UNLESS OTHERWISE NOTED.
- ALL DRILLED SHAFTS SHOULD BE CENTERED IN GRADE BEAMS IN BOTH DIRECTIONS UNLESS OTHERWISE NOTED.
- PRESET SHEAR WALL HOLDDOWN ANCHORS AND HURRICANE TIE ANCHORS AS REQUIRED.
- SAW CUT CONTROL JOINTS OF SLAB IN BOTH DIRECTIONS, JOINTS SHOULD BE MAXIMUM OF 15 FEET SPACING.
- PLACE 10 MIL VAPOR BARRIER UNDERNEATH BUILDING PAD AND EXTEND A MINIMUM OF 3 FEET BEYOND.
- PREPARE SUBGRADE AS SPECIFIED IN SHEET S3 AND PROJECT GEOTECHNICAL REPORT.
- INSTALL REINFORCED CONCRETE PLINTH WHERE AS NEEDED WHERE COLUMN OR STUD WALL BASE ANCHOR BOLTS DO NOT HAVE 2 INCH SIDE CONCRETE PROTECTION. PLINTH SHOULD MATCH DEPTH OF GRADE BEAM.

### LEGEND

- STUD WALL ABOVE
- INTERIOR LOAD-BEARING WALL
- 12" DRILLED SHAFT WITH 36" UNDERREAM BELL
- CONTROL JOINT / CONSTRUCTION JOINT



**1 FOUNDATION PLAN**  
SCALE: 1/8" = 1'-0"

**2 DUMPSTER FOUNDATION PLAN**  
SCALE: 1/8" = 1'-0"

**IVY KIDS EARLY LEARNING CENTER**  
 LOT COM21  
 CROSS CREEK RANCH  
 6407 CROSS CREEK BEND LANE  
 FULSHEAR, Tx 77441

MISSION ENGINEERING INC.  
 10370 RICHMOND AVE, #560  
 HOUSTON, TEXAS 77042  
 (713) 981-0018  
 [E] dzhuang@missioneng.com  
 TPEF Registration No. F-11771



06/20/2019

DRAWING TITLE  
**FOUNDATION PLAN**

DRAWN BY HW	CHECKED BY EL
DATE 06/20/2019	JOB NO. 1903081
DRAWING NO. <b>S1</b>	