

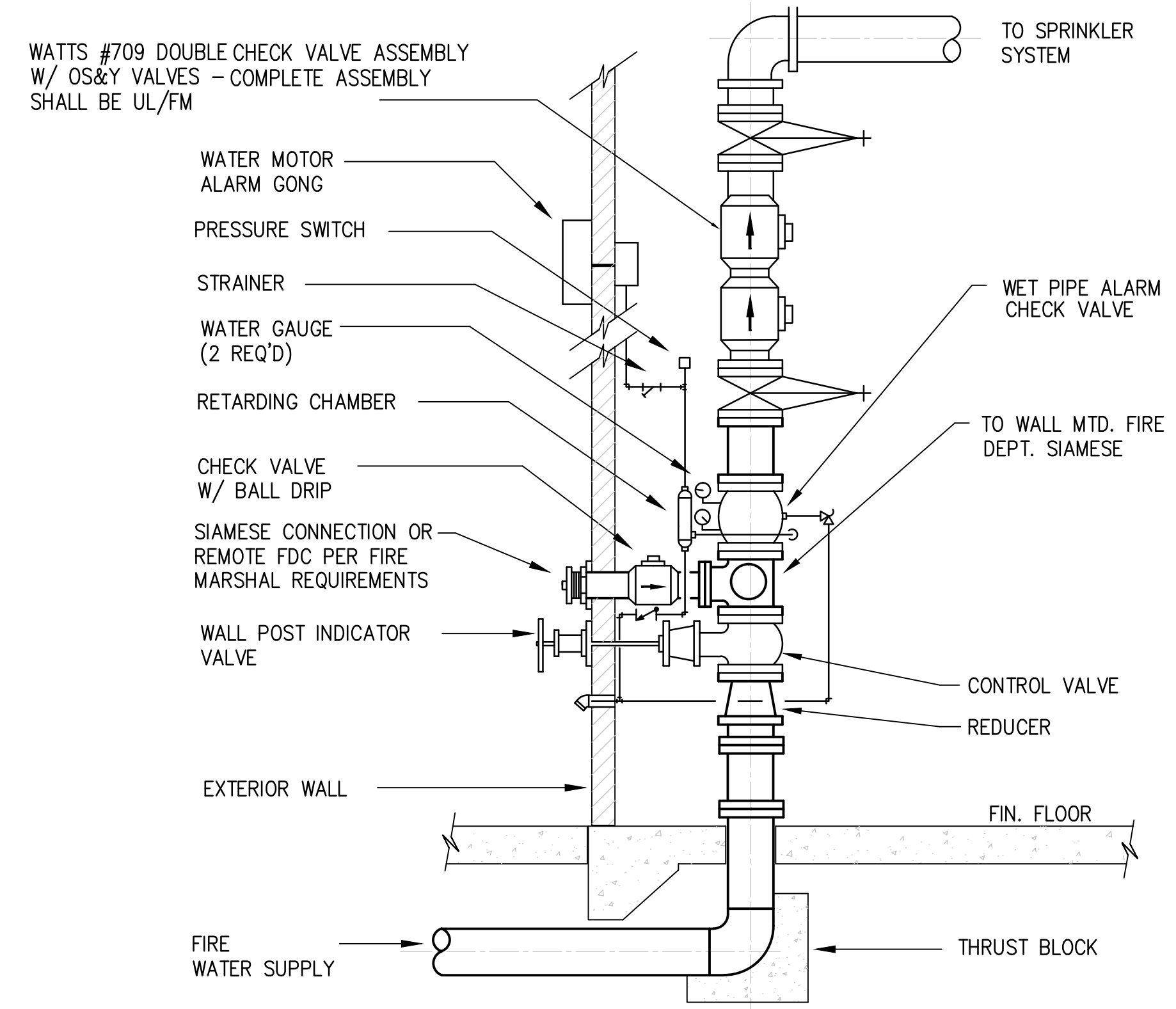
REVISIONS AND ISSUANCE		
NO.	DATE	DESCRIPTION
04/17/2019		PRICING ONLY
06/07/2019		ISSUE FOR PERMIT

SPRINKLER PIPING GENERAL NOTES:

- *****
- ALL PIPE DIMENSIONS ARE "CUT" (END TO END OR CENTER TO END).
- ALL HANGER RODS ARE CUT LENGTHS.
- ALL MATERIALS SHALL BE UL LISTED OR FM APPROVED.
- ALL MATERIALS MUST BE OF DOMESTIC MANUFACTURE.
- *****
- ALL 1" THRU 2" PIPE TO BE SCHEDULE 40 BLACK STEEL ASTM A-135/A-795 DOMESTIC.
- ALL 2 1/2" AND LARGER PIPE TO BE SCHEDULE 10 BLACK STEEL ASTM A-135/A-795 DOMESTIC.
- ALL THREADED PIPE TO HAVE SCREWED CAST IRON FITTINGS, CLASS 125.
- ALL GROOVED PIPE TO HAVE VICTAULIC FIRELOCK GROOVED FITTINGS WITH STYLE 005 GROOVED COUPLINGS.
- VICTAULIC STYLE 750 GROOVED REDUCING COUPLINGS ARE PERMITTED.
- ALL WELDED OUTLETS ON PIPING SHALL BE SHOP WELDED, UL LISTED AND FM APPROVED.
- ALL WALL PENETRATIONS THROUGH MOSONRY, CMU, CONCRETE & FIRE RATED WALLS SHALL HAVE SCHEDULE 40 GALVANIZED SLEEVED, SIZED FOR MINIMUM 1 INCH SPACE BETWEEN SLEEVE AND CARRIER PIPE.
- ALL WALL PENETRATIONS THROUGH NON-FIRE RATED WALLS TO BE FORMED WITH 18 GAUGE GALVANIZED STEEL.
- *****
- SYSTEM DESIGN:
- ALL SPRINKLER SHALL BE LISTED AS QUICK RESPONSE.
- SYSTEM IS HYDRAULICALLY CALCULATED FOR .20 GPM OVER 1500 SQ. FT. FOR ORDINARY HAZARD OCCUPANCY.
- ORDINARY HAZARD OCCUPANCY WITH MAXIMUM SPRINKLER SPACING OF 130 SQ. FT. FOR THE FOLLOWING ROOMS: STORAGE, MECHANICAL, ELECTRICAL, JANITOR, ETC.
- ADD 100 GPM FOR OUTSIDE HOSE STREAMS FOR LIGHT HAZARD OCCUPANCY, AND 250 GPM FOR ORDINARY HAZARD OCCUPANCY.
- SPRINKLER HEADS ARE REQUIRED TO BE IN THE CENTER OF TILES. (WHERE THERE IS A CEILING)

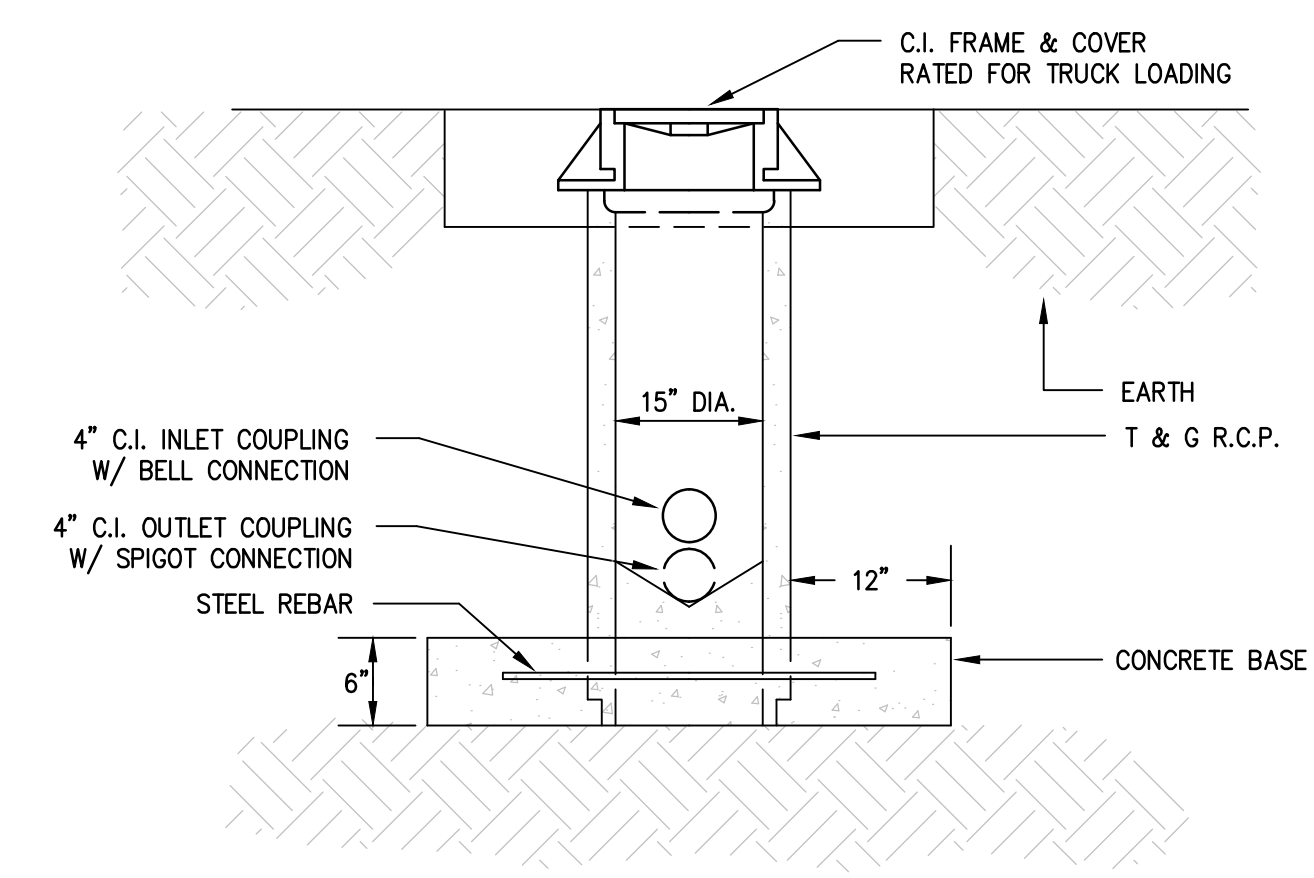
FIRE PROTECTION NOTES:

1. THIS BUILDING AREA SHALL BE COMPLETELY SPRINKLERED WITH A WET PIPE SPRINKLER SYSTEM FOR LIGHT HAZARD IN ACCORDANCE WITH NFPA 13 & LOCAL AUTHORITY HAVING JURISDICTION.
 - .10 GPM / SQ. FT. FOR THE MOST REMOTE 1500 SQ. FT.
 - 130 SQ. FT. PER HEAD - MAXIMUM COVERAGE.
2. THE AUTOMATIC SPRINKLER SYSTEM SHALL BE HYDRAULICALLY CALCULATED IN ACCORDANCE WITH NFPA 13 & LOCAL CODE.



- NOTES:**
1. PROVIDE SLEEVES AS PER SPECS
 2. ALL WORK TO BE PERFORMED AS PER NFPA
 3. OS&Y VALVES TO HAVE TAMPER SWITCHES
 4. FDC LOCATION SHALL BE APPROVED BY FIRE MARSHAL.

01 FIRE ENTRY DETAIL
SCALE: NONE



02 SAMPLING WELL
SCALE: NONE

IVY KIDS EARLY LEARNING CENTER
 LOT COM21
 CROSS CREEK RANCH
 6407 CROSS CREEK BEND LANE
 FULSHEAR, TX 77441

MEP Consultants
 BLK Engineering & Consulting Co.
 3423 Spring Arbor Ln.
 Sugar Land, TX 77479
 (t) 832 563 3127
 TBPE Firm #12672



DRAWING TITLE	
PLUMBING NOTES & DETAIL	
DRAWN BY FK	CHECKED BY CK
DATE 04/10/2019	JOB NO. FULSHEAR
DRAWING NO. P-6.0	