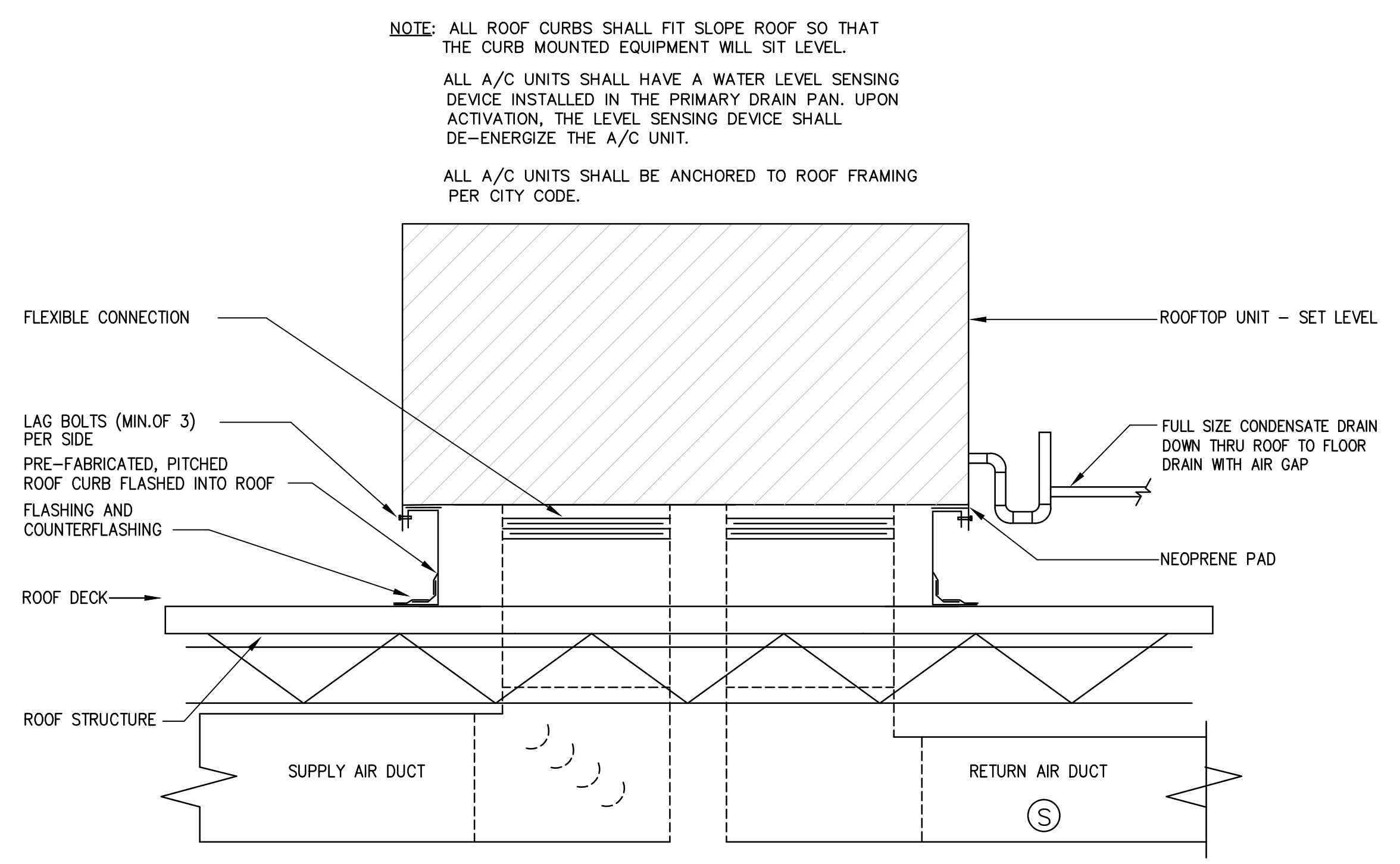
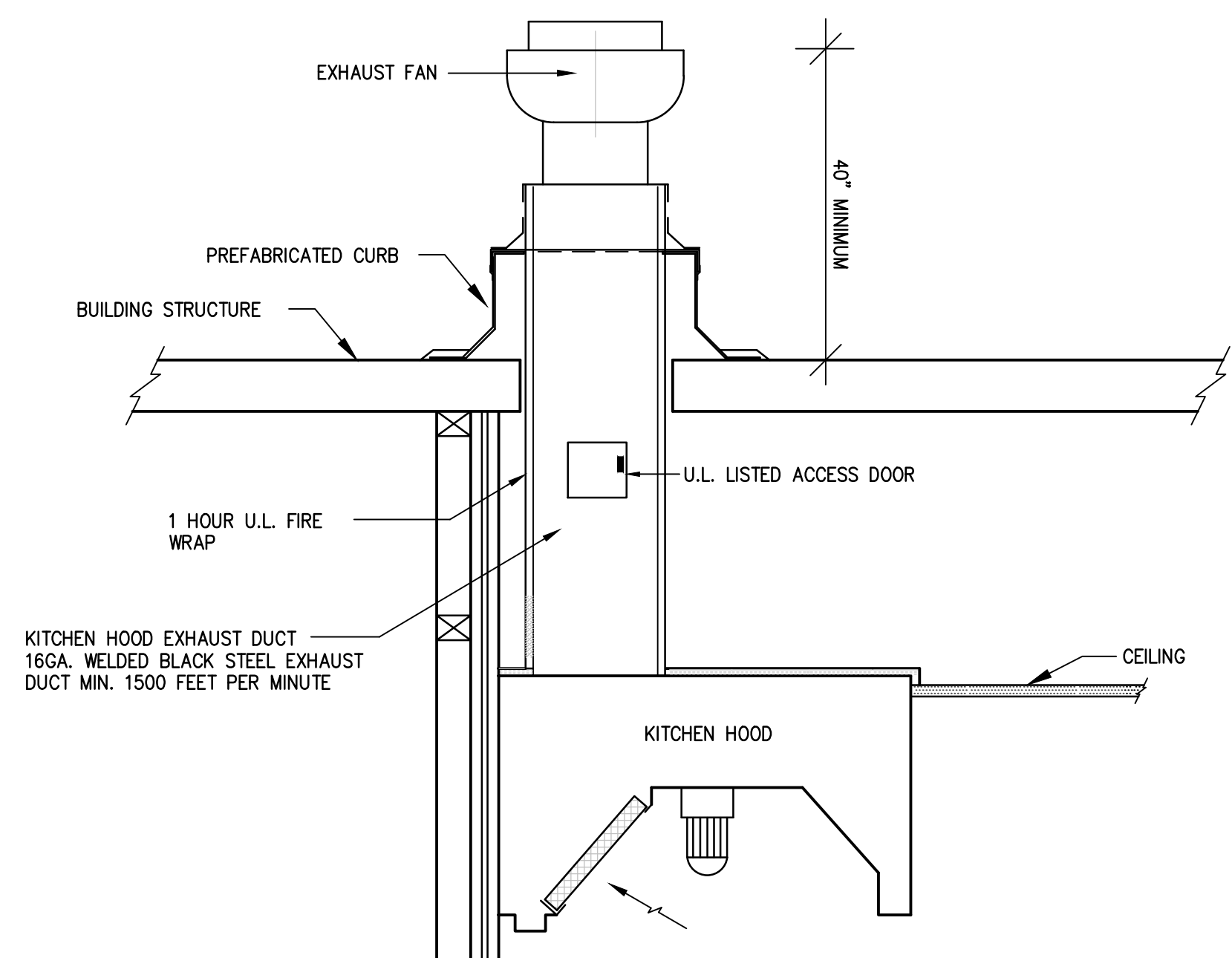


REVISIONS AND ISSUANCE		
NO.	DATE	DESCRIPTION
04/17/2019		PRICING ONLY
06/07/2019		ISSUE FOR PERMIT



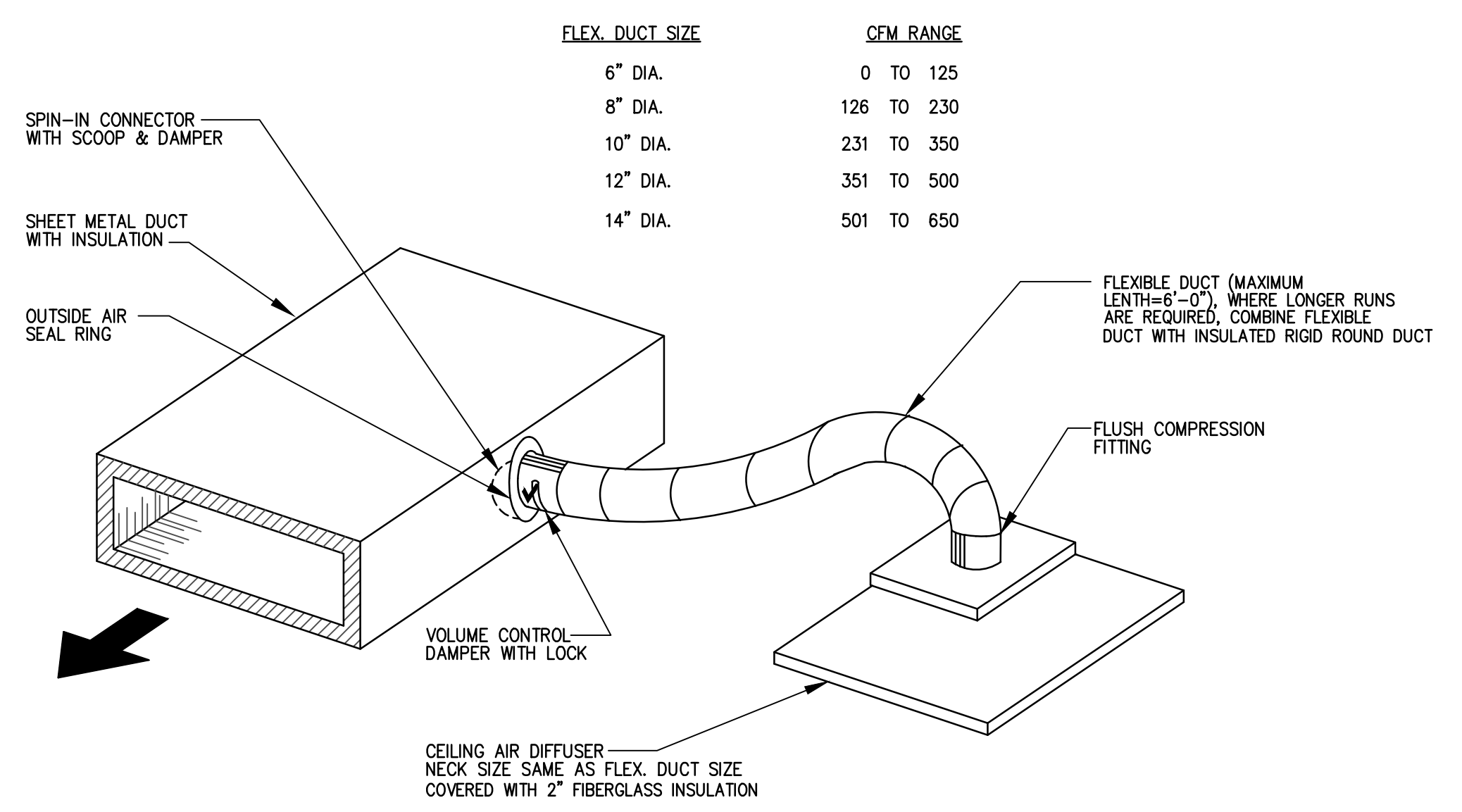
**01 ROOFTOP A/C UNIT DETAIL**  
SCALE: N.T.S.

NOTE: ALL ROOF CURBS SHALL FIT SLOPE ROOF SO THAT THE CURB MOUNTED EQUIPMENT WILL SIT LEVEL.  
ALL A/C UNITS SHALL HAVE A WATER LEVEL SENSING DEVICE INSTALLED IN THE PRIMARY DRAIN PAN. UPON ACTIVATION, THE LEVEL SENSING DEVICE SHALL DE-ENERGIZE THE A/C UNIT.  
ALL A/C UNITS SHALL BE ANCHORED TO ROOF FRAMING PER CITY CODE.



**02 KITCHEN HOOD DETAIL**  
SCALE: N.T.S.

NOTE:  
1-HOUR U.L. FIRE WRAP SHALL CONSIST OF 1-1/2" THICK OF KAOWOOL BLANKETS, BLANKET MANUFACTURED FROM KAOLIN, A NATURAL OCCURRING ALUMINA SILICA FIRECLAY WITH SERVICE TEMPERATURE LIMITS OF 2300°F, "R" VALUE OF 4.15 PER INCH, A DENSITY OF 8 LBS/CU. FT. CONTAINING NO ASBESTOS.  
SUPPORT GREASE DUCT PER CITY CODE.  
THE EXHAUST AIR SHALL BE DIVERTED SO THAT THERE IS NO IMPINGEMENT ON ROOF.



**03 FLEX DUCT EXTENSION DETAIL**  
SCALE: N.T.S.

FLEX. DUCT SIZE	CFM RANGE
6" DIA.	0 TO 125
8" DIA.	126 TO 230
10" DIA.	231 TO 350
12" DIA.	351 TO 500
14" DIA.	501 TO 650

IVY KIDS EARLY LEARNING CENTER  
LOT COM2I  
CROSS CREEK RANCH  
6407 CROSS CREEK BEND LANE  
FULSHEAR, TX 77441

MEP Consultants  
BLK Engineering & Consulting Co.  
3423 Spring Arbor Ln.  
Sugar Land, TX 77479  
(1) 832 563 3127  
TBPE Firm #12672



DRAWING TITLE	
<b>MECHANICAL DETAILS</b>	
DRAWN BY FK	CHECKED BY CK
DATE 04/10/2019	JOB NO. FULSHEAR
DRAWING NO. <b>M-3.0</b>	