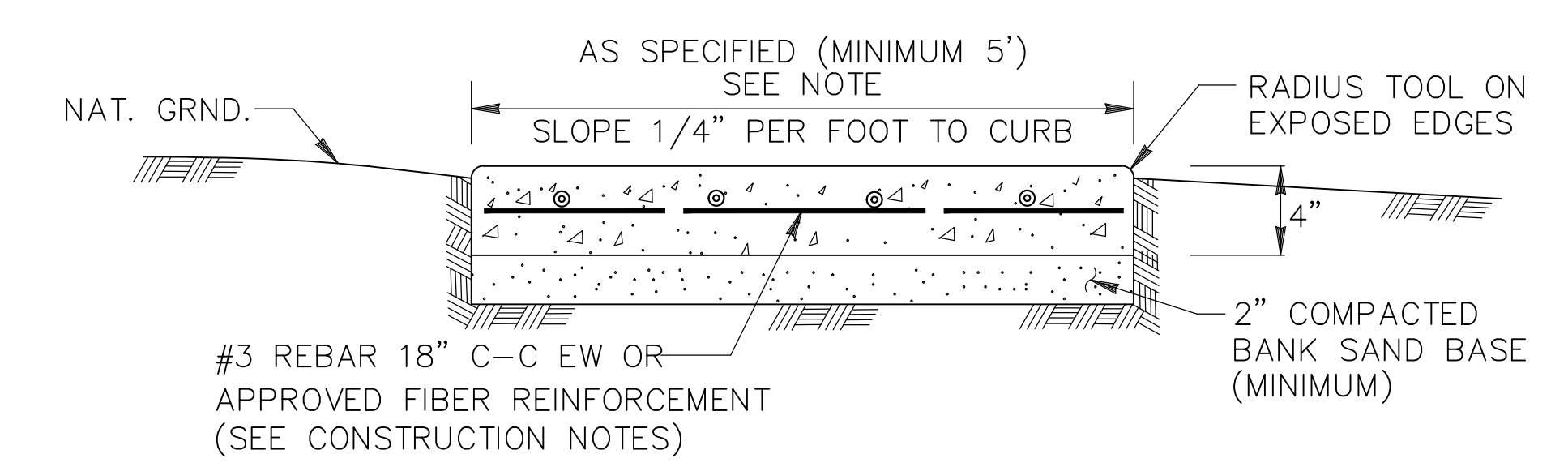
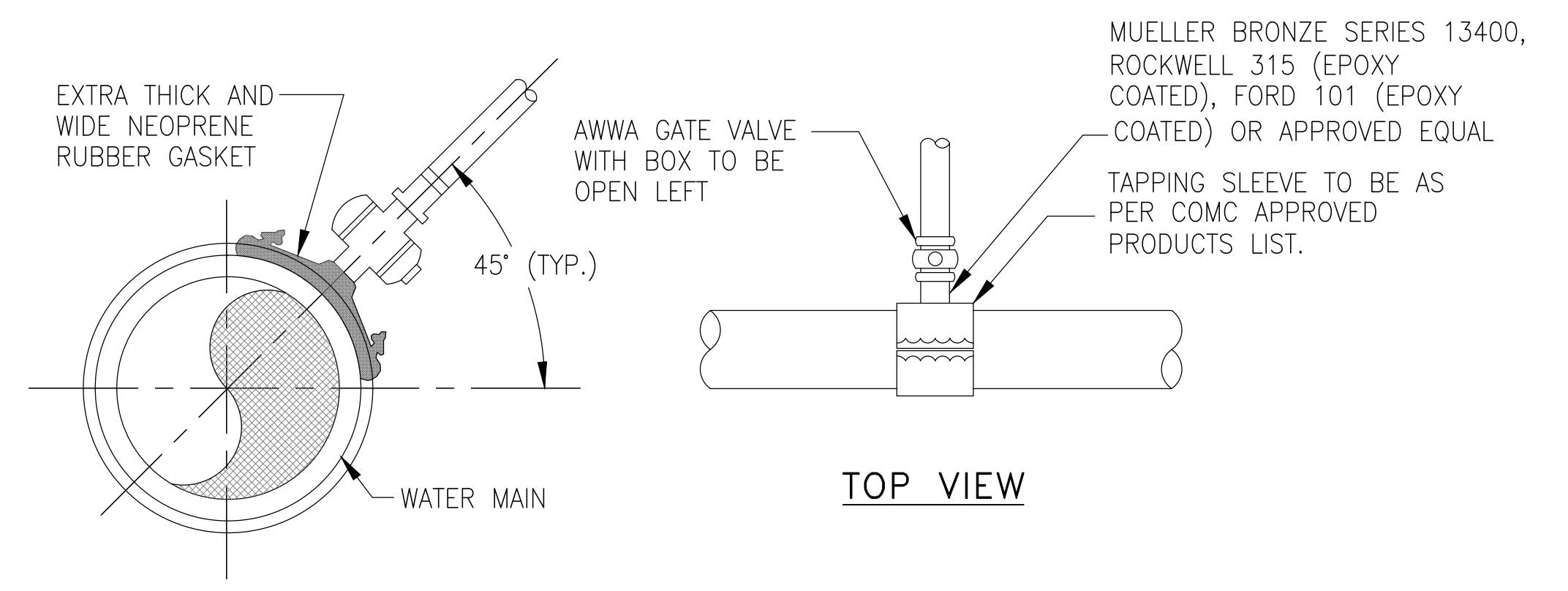


SIDEWALK JOINT DETAILS
N.T.S.

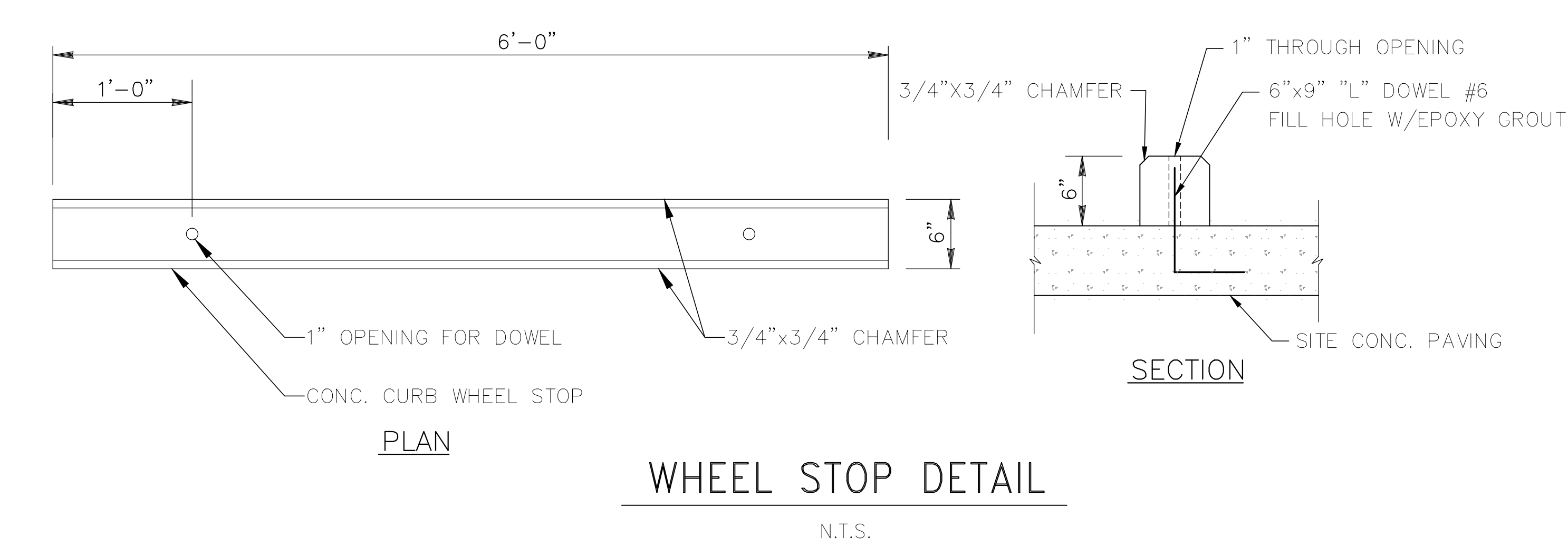
NOTE:
BANK SAND IS DEFINED AS A WELL-GRADED SAND, FREE OF SILT, CLAY, LOAM, FRIABLE OR SOLUBLE MATERIALS AND ORGANIC MATTER, MEETING THE UNIFIED SOILS CLASSIFICATION SYSTEM GROUP SYMBOL SW CRITERIA W/ A PLASTICITY INDEX OF ≤ 10 . AND NO MORE THAN 12% OF MATERIAL CAN PASS THE No. 200 SIEVE.



CONCRETE SIDEWALK (PRIVATE)
N.T.S.



TAPPING SLEEVE & VALVE DETAIL



REVISIONS AND ISSUANCE		
NO.	DATE	DESCRIPTION

IVY KIDS EARLY LEARNING CENTER
LOT COM21
CROSS CREEK RANCH
6407 CROSS CREEK BEND LANE
FULSHEAR, Tx 77441

MISSION ENGINEERING INC.
10370 RICHMOND AVE, #560
HOUSTON, TEXAS 77042
[T] 713-981-0018
[E] dzhuang@missioneng.com
TPEF Registration No. F-11771

STATE OF TEXAS
YIFENG ZHUANG
87950
06/21/2019

DRAWING TITLE
DETAILS

DRAWN BY EL
CHECKED BY EL

DATE 06/21/2019
JOB NO. 1903081

DRAWING NO.
C9