

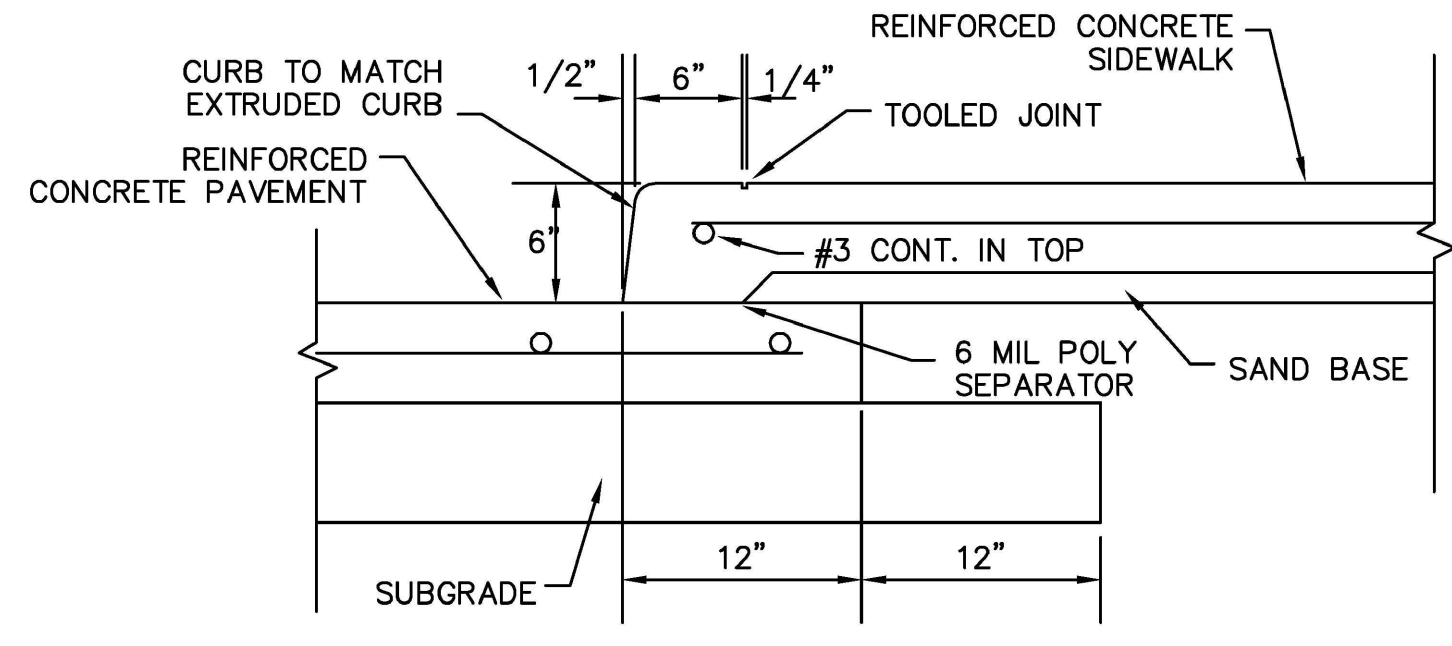
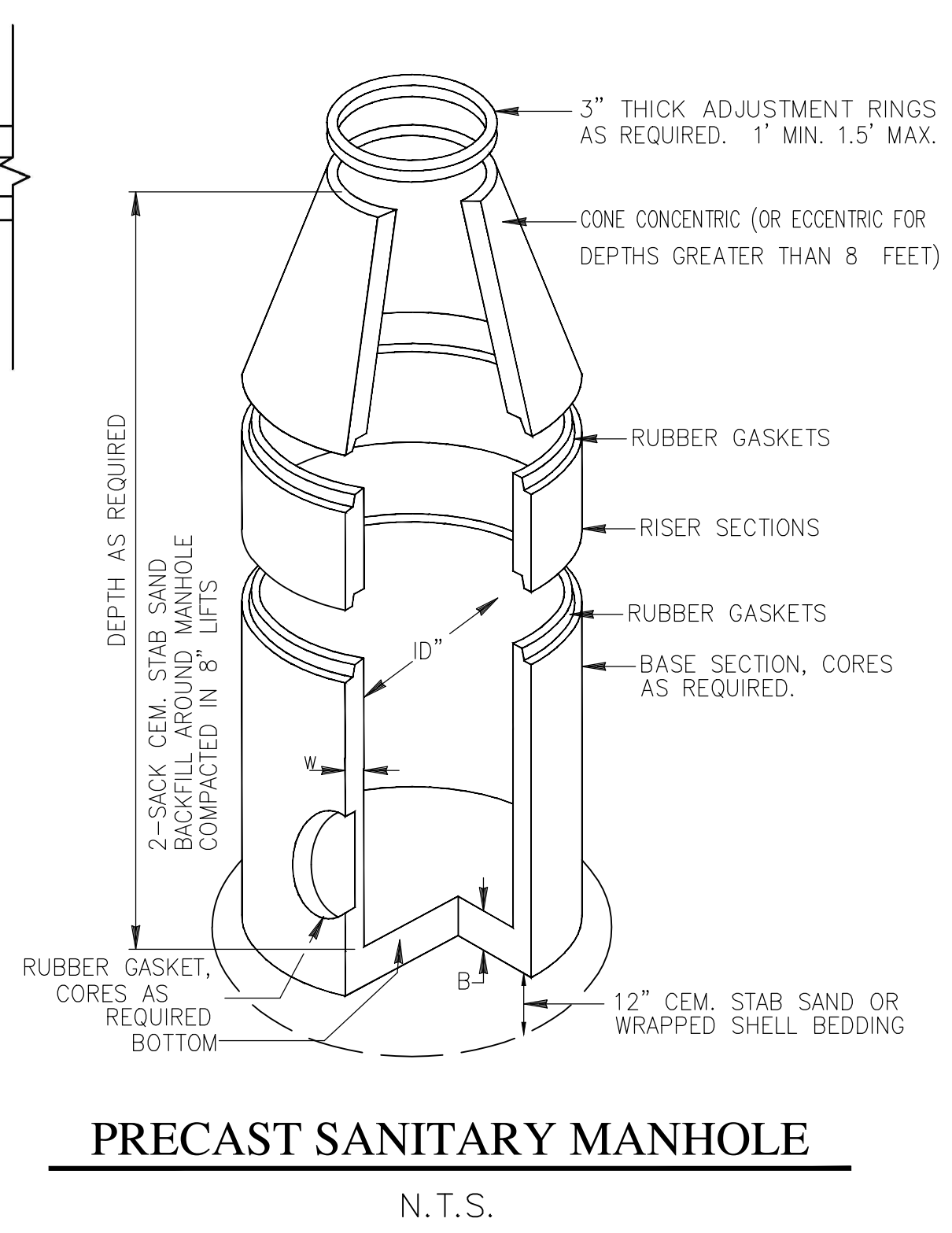
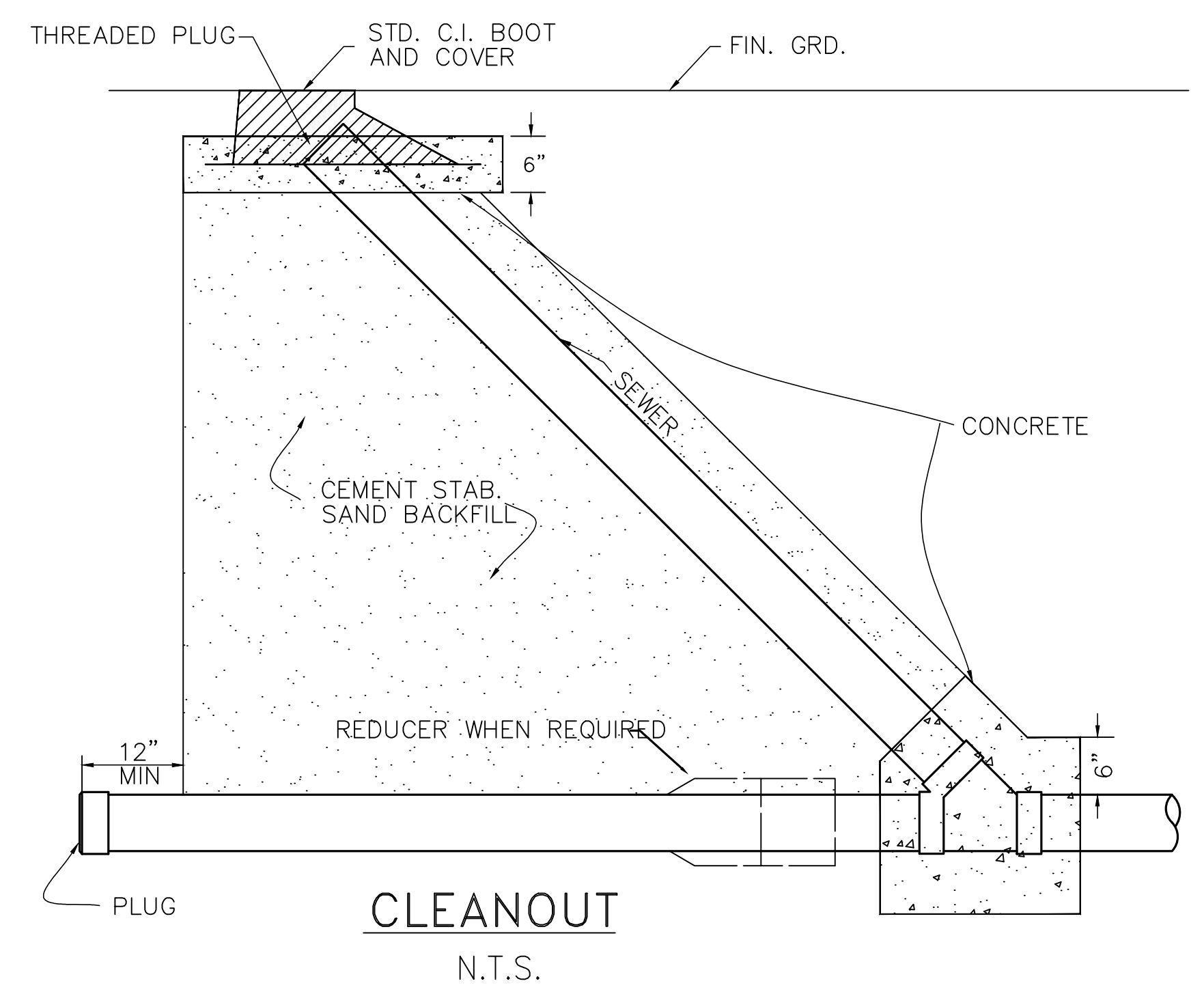
REVISIONS AND ISSUANCE		
NO.	DATE	DESCRIPTION

IVY KIDS EARLY LEARNING CENTER
 LOT COM21
 CROSS CREEK RANCH
 6407 CROSS CREEK BEND LANE
 FULSHEAR, Tx 77441

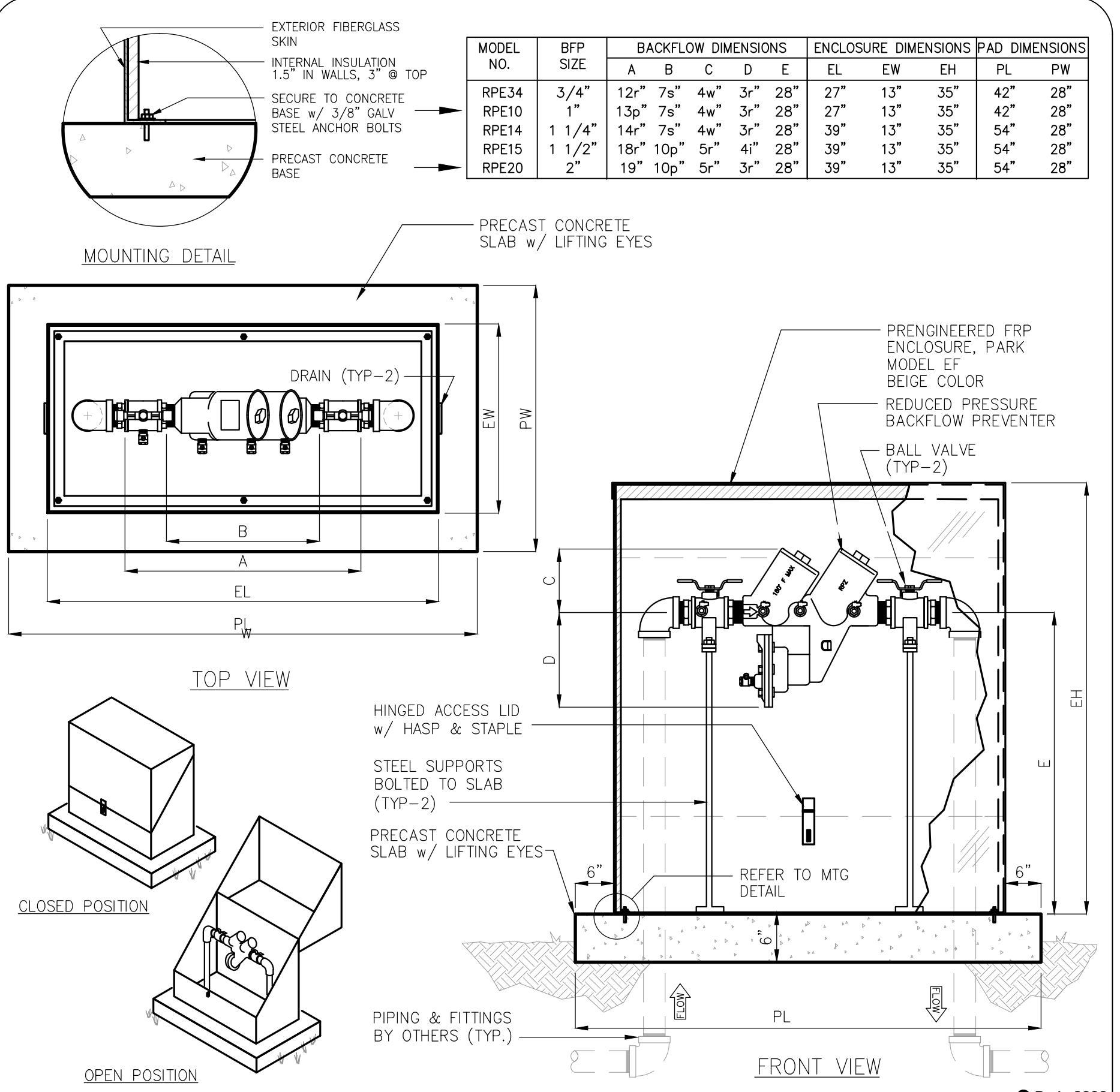
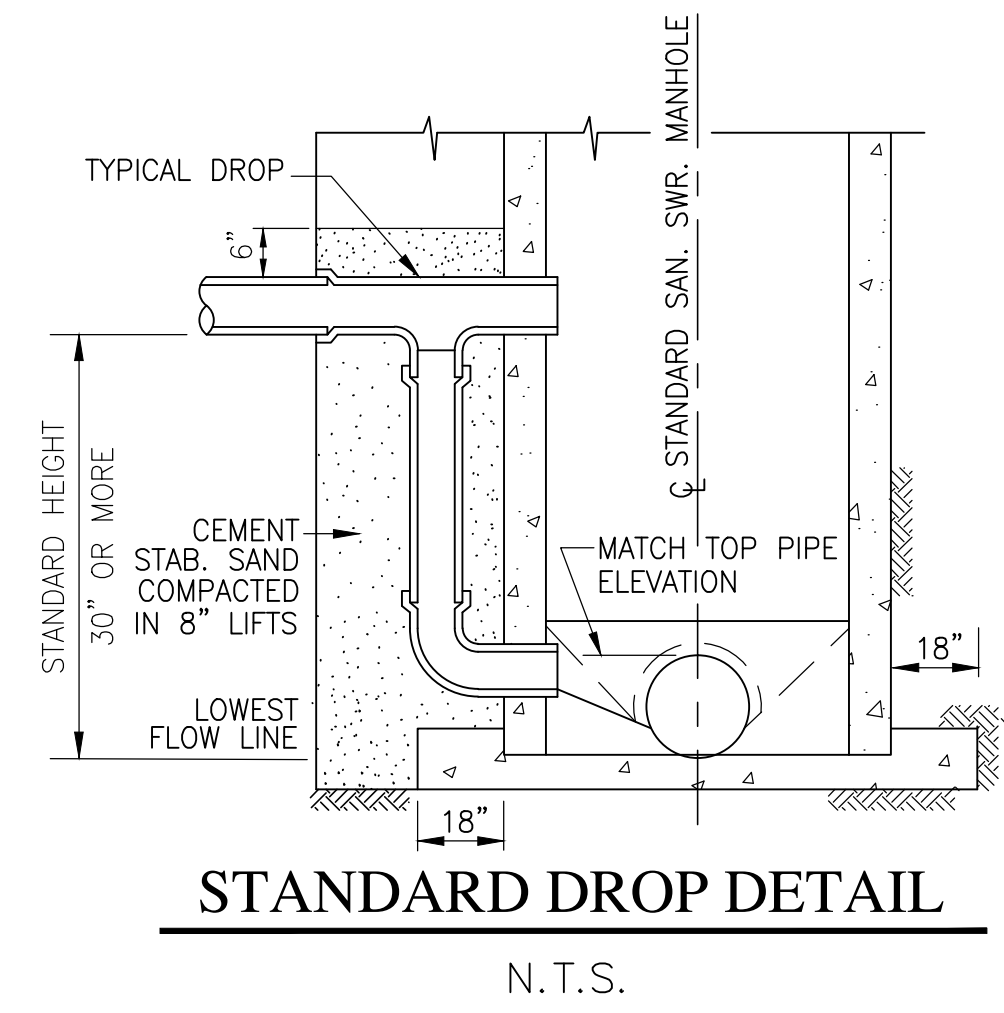
MISSION ENGINEERING INC.
 10370 RICHMOND AVE, #560
 HOUSTON, TEXAS 77042
 (713) 981-0018
 [E] dzhuang@missioneng.com
 TPEF Registration No. F-11771



06/21/2019
 DRAWING TITLE
 DETAIL
 DRAWN BY
 CHECKED BY
 EL
 DATE
 JOB NO.
 06/21/2019 1903081
 DRAWING NO.
 C8



- NOTES**
- LIFTING INSERTS AS REQUIRED.
 - ALL JOINTS SHALL BE SEALED WITH APPROVED RUBBER GASKET.
 - STRUCTURE TO BE PLACED ON 12" STABILIZED BASE.
 - C.S.S. SHALL BE BROUGHT TO WITHIN 2-FT OF TOP OF MANHOLE.
 - PRE-CAST MANHOLE SHALL BE IN COMPLIANCE APPROVED PRODUCT LIST.
 - THANE COAT SHALL BE IN COMPLIANCE WITH APPROVED PRODUCT LIST.
 - INVERTS SHALL COMPLY WITH C.O.M.C., INFRASTRUCTURE DESIGN MANUAL SPECIFICATIONS.
 - INFLOW PROTECTORS REQUIRED ON ALL SANITARY MANHOLES.
 - REFER TO SANITARY MANHOLE LIDS, C.S.S. NOTES, MODIFIED BEDDING DETAILS AND NOTES.



Specifications

CONCRETE : Class 1 concrete with design strength of 4500 PSI at 28 days.

REINFORCEMENT: Grade 60 reinforced. Steel rebar conforming to ASTM A615 on required centers or equal.

Typical Applications

RP devices are used to protect against high hazard (toxic) fluids in water services to industrial plants, hospital facilities, morgues, mortuaries, and chemical plants. They are also used in irrigation systems, boiler feed, water lines and other installations requiring maximum protection.

Engineering Data

The backflow assembly shall be factory assembled on pad & hydrostatically tested prior to delivery. Field excavation & preparation shall be complete prior to delivery. Pipe, valves and fittings of the assembly shall be approved by one or more of the following associations:

PROJECT :

CUSTOMER :

ARCHITECT :

ENGINEER :

ORDER # :

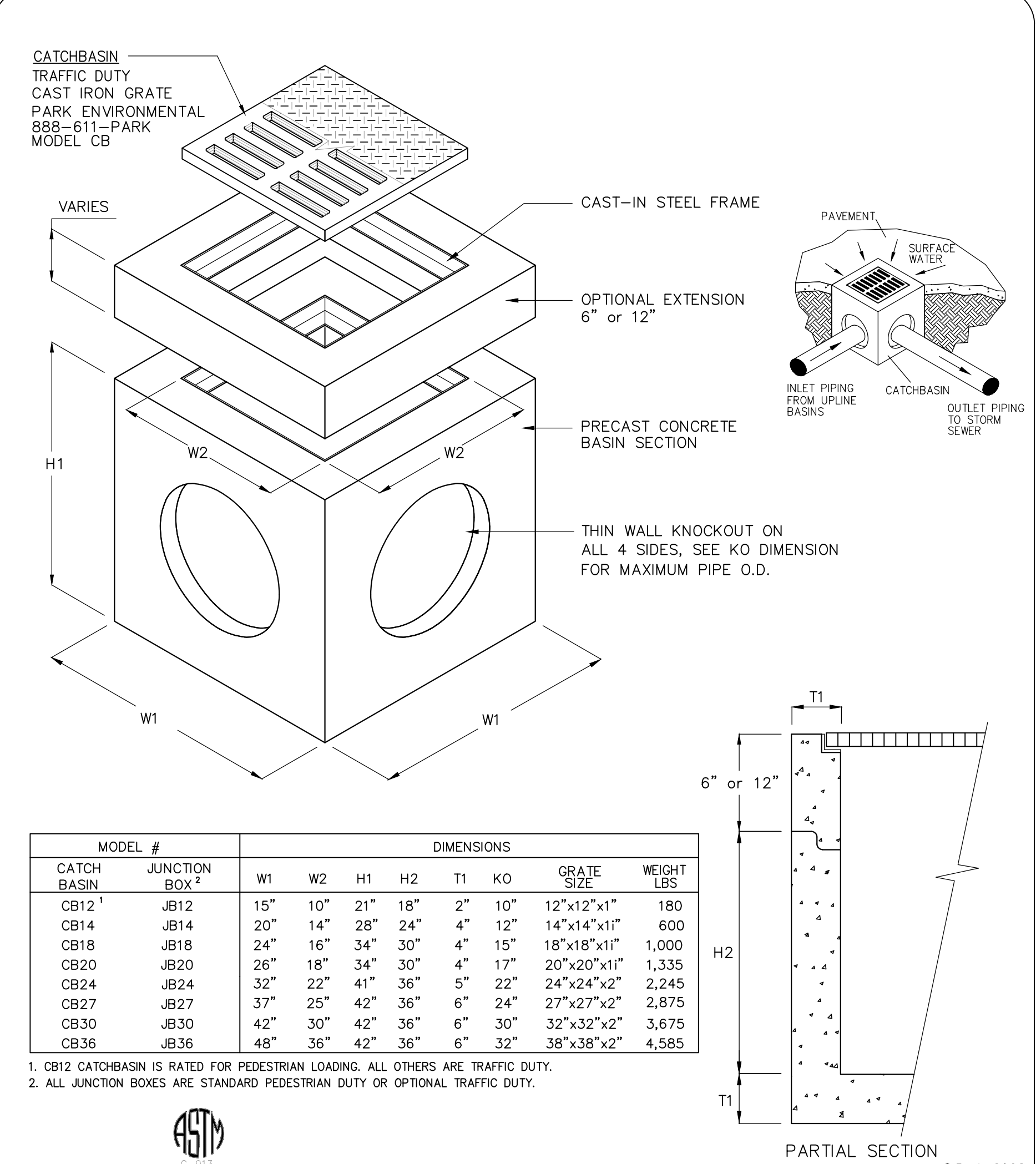
DATE :

PARK 800-256-8041
ENVIRONMENTAL EQUIPMENT www.park-usa.com

"Expect the Best"

REDUCED PRESSURE BACKFLOW PREVENTER ON PRECAST CONCRETE PAD

SCALE NONE DWG. NO. RPBPAE-1 REV. A



MODEL #	CATCH BASIN		DIMENSIONS					GRATE SIZE	WEIGHT LBS	
	W1	W2	H1	H2	T1	KO				
CB12 ¹	12"	12"	15"	10"	21"	18"	2"	10"	12"x12"x1"	180
CB14	14"	14"	16"	10"	24"	18"	2"	10"	14"x14"x1"	600
CB18	18"	18"	24"	16"	34"	30"	4"	15"	18"x18"x1"	1,000
CB20	20"	20"	26"	18"	34"	30"	4"	17"	20"x20"x1"	1,335
CB24	24"	24"	32"	22"	41"	36"	5"	22"	24"x24"x2"	2,245
CB27	27"	27"	37"	25"	42"	36"	6"	24"	27"x27"x2"	2,875
CB30	30"	30"	42"	30"	42"	36"	6"	30"	32"x32"x2"	3,675
CB36	36"	36"	48"	36"	42"	36"	6"	32"	38"x38"x2"	4,585

- CB12 CATCHBASIN IS RATED FOR PEDESTRIAN LOADING. ALL OTHERS ARE TRAFFIC DUTY.
- ALL JUNCTION BOXES ARE STANDARD PEDESTRIAN DUTY OR OPTIONAL TRAFFIC DUTY.

ASIM

Specifications

CONCRETE : Class 1 concrete with of design strength of 4500 PSI at 28 days. Unit is of monolithic construction at floor and first stage of wall with sectional riser to required depth.

REINFORCEMENT: Grade 60 reinforced. Steel rebar conforming to ASTM A615 on required centers or equal.

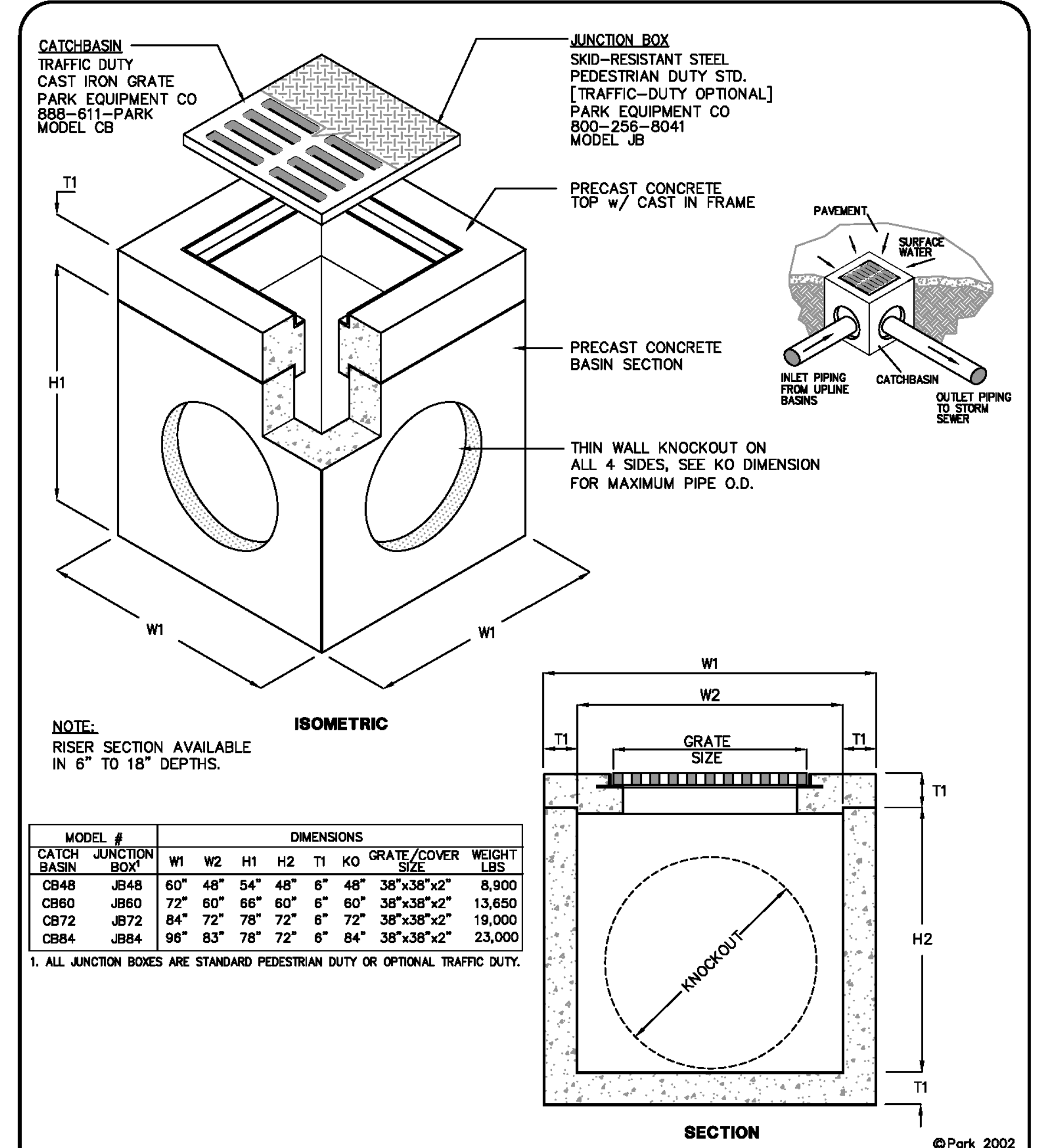
C.I. CASTINGS: Cast iron frames and grates are manufactured of grey cast iron conforming to ASTM A48-76 Class 35.

PARK 888-611-PARK
ENVIRONMENTAL EQUIPMENT www.park-usa.com

"Expect the Best"

CATCHBASIN MODEL CB - 12" THRU 36"
JUNCTION BOX MODEL JB - 12" THRU 36"

SCALE NONE DWG. NO. CBJB36 REV. A



MODEL #	CATCH BASIN		DIMENSIONS					GRATE/COVER SIZE	WEIGHT LBS	
	W1	W2	H1	H2	T1	KO				
CB48	48"	48"	60"	48"	54"	48"	6"	48"	38"x38"x2"	8,900
CB60	60"	60"	72"	60"	66"	60"	6"	60"	38"x38"x2"	13,650
CB72	72"	72"	84"	72"	78"	72"	6"	72"	38"x38"x2"	19,000
CB84	84"	84"	96"	84"	83"	78"	6"	84"	38"x38"x2"	23,000

- ALL JUNCTION BOXES ARE STANDARD PEDESTRIAN DUTY OR OPTIONAL TRAFFIC DUTY.

Specifications

CONCRETE : Class 1 concrete with of design strength of 4500 PSI at 28 days. Unit is of monolithic construction at floor and first stage of wall with sectional riser to required depth. Rated for H-20 Loading.

REINFORCEMENT: Grade 60 reinforced. Steel rebar conforming to ASTM A615 on required centers or equal.

C.I. CASTINGS: Cast iron frames and grates are manufactured of grey cast iron conforming to ASTM A48-76 Class 35.

PARK 888-611-PARK
ENVIRONMENTAL EQUIPMENT www.park-usa.com

"Expect the Best"

CATCHBASIN MODEL CB - 48" THRU 84"
JUNCTION BOX MODEL JB - 48" THRU 84"

SCALE NONE DWG. NO. CB4884 REV. A