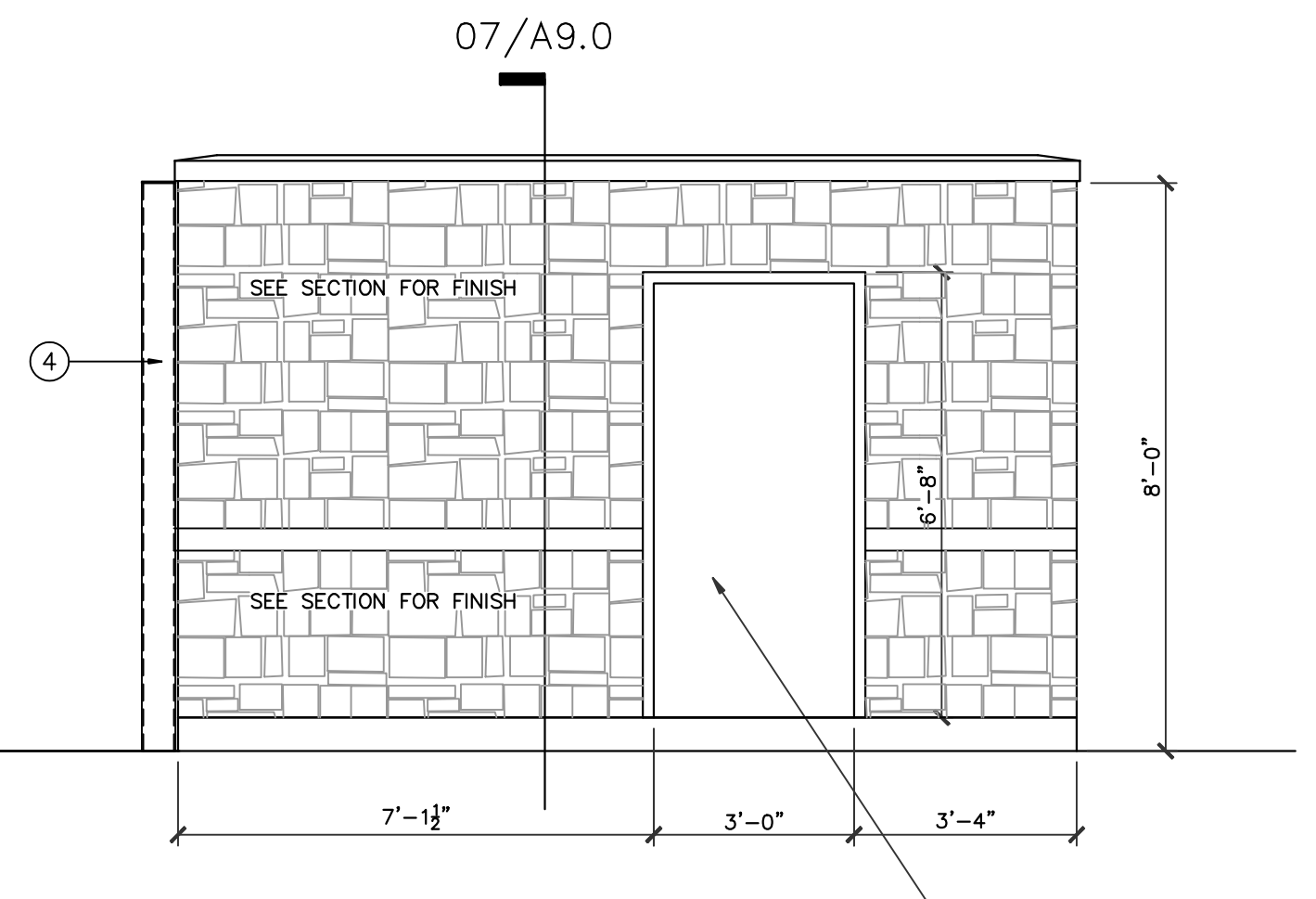
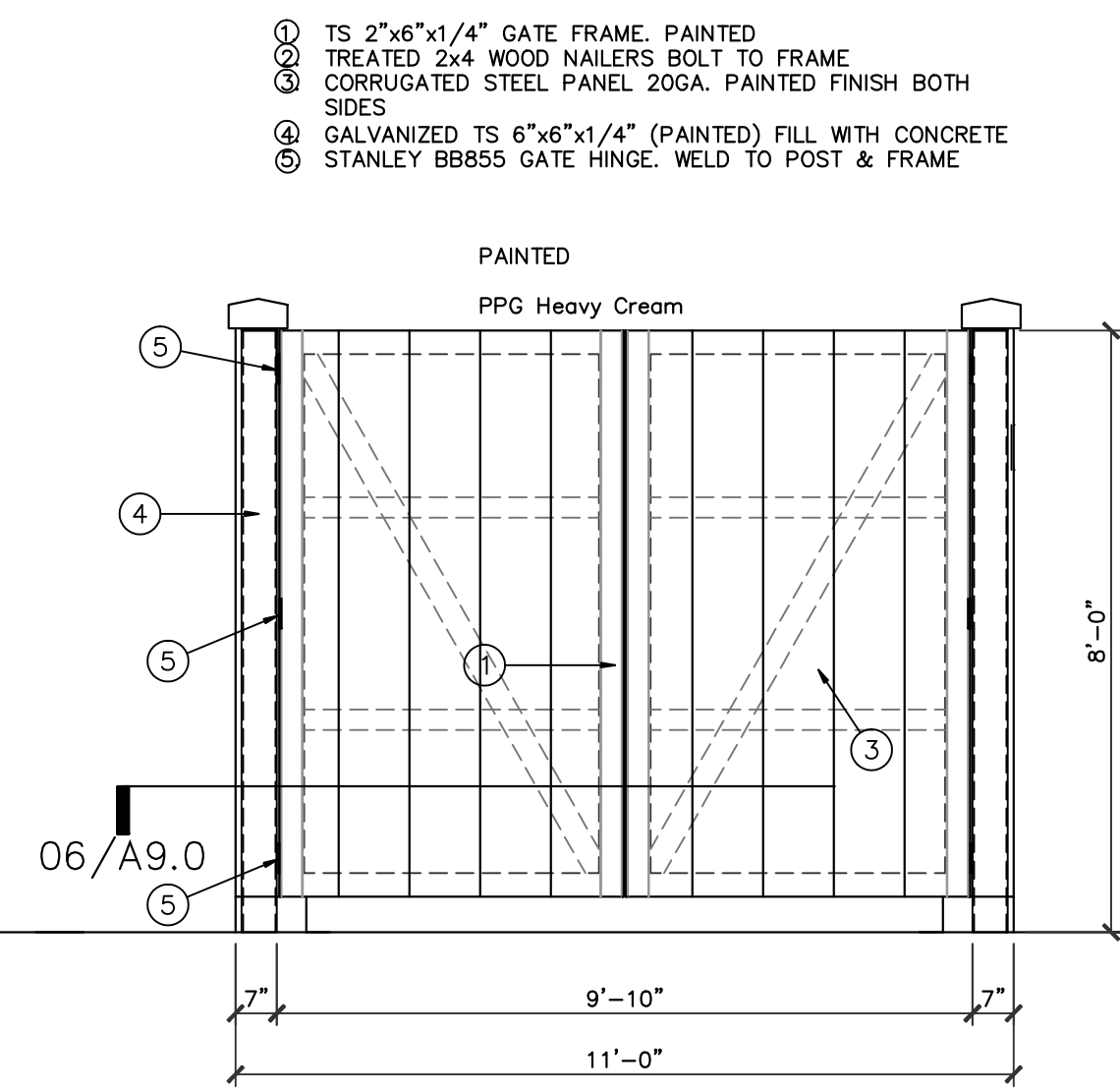
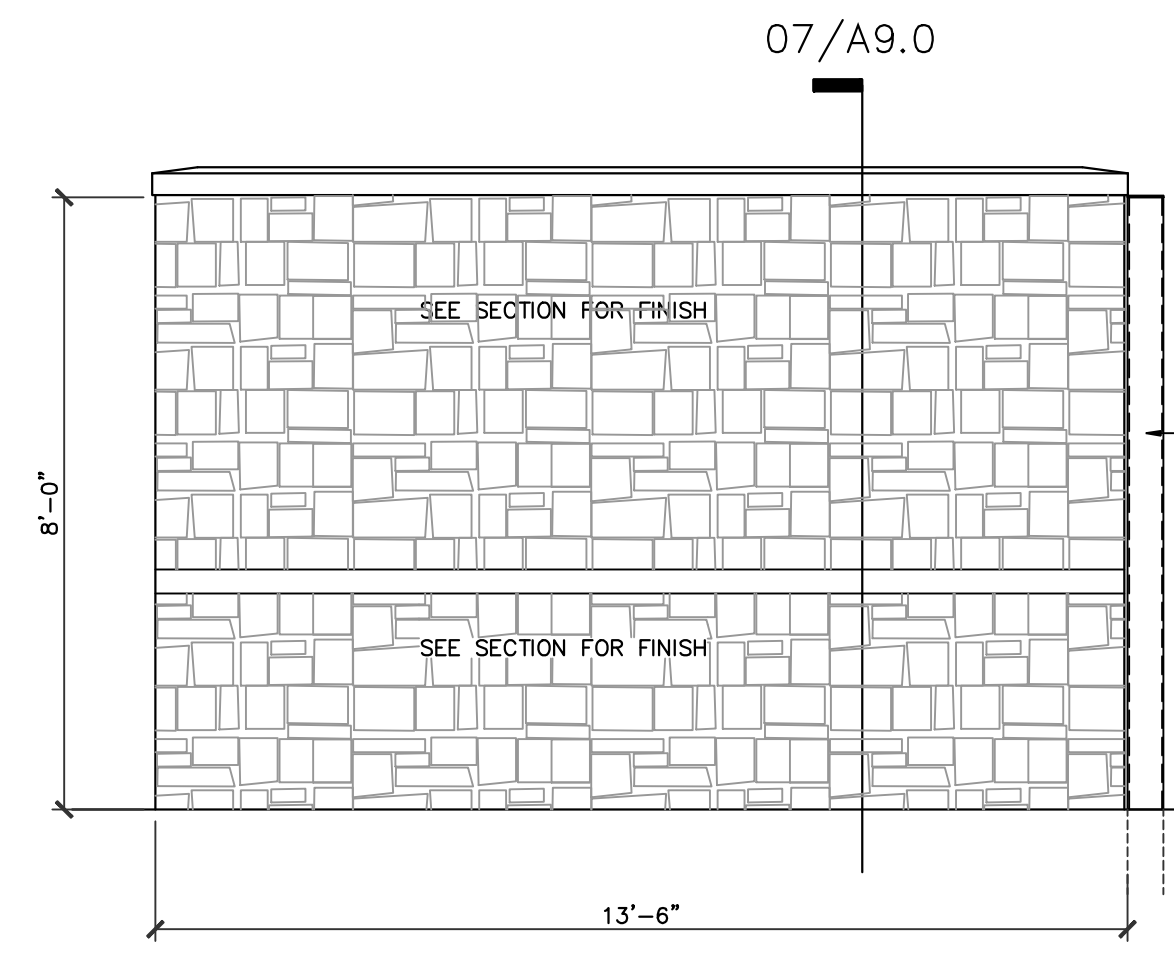
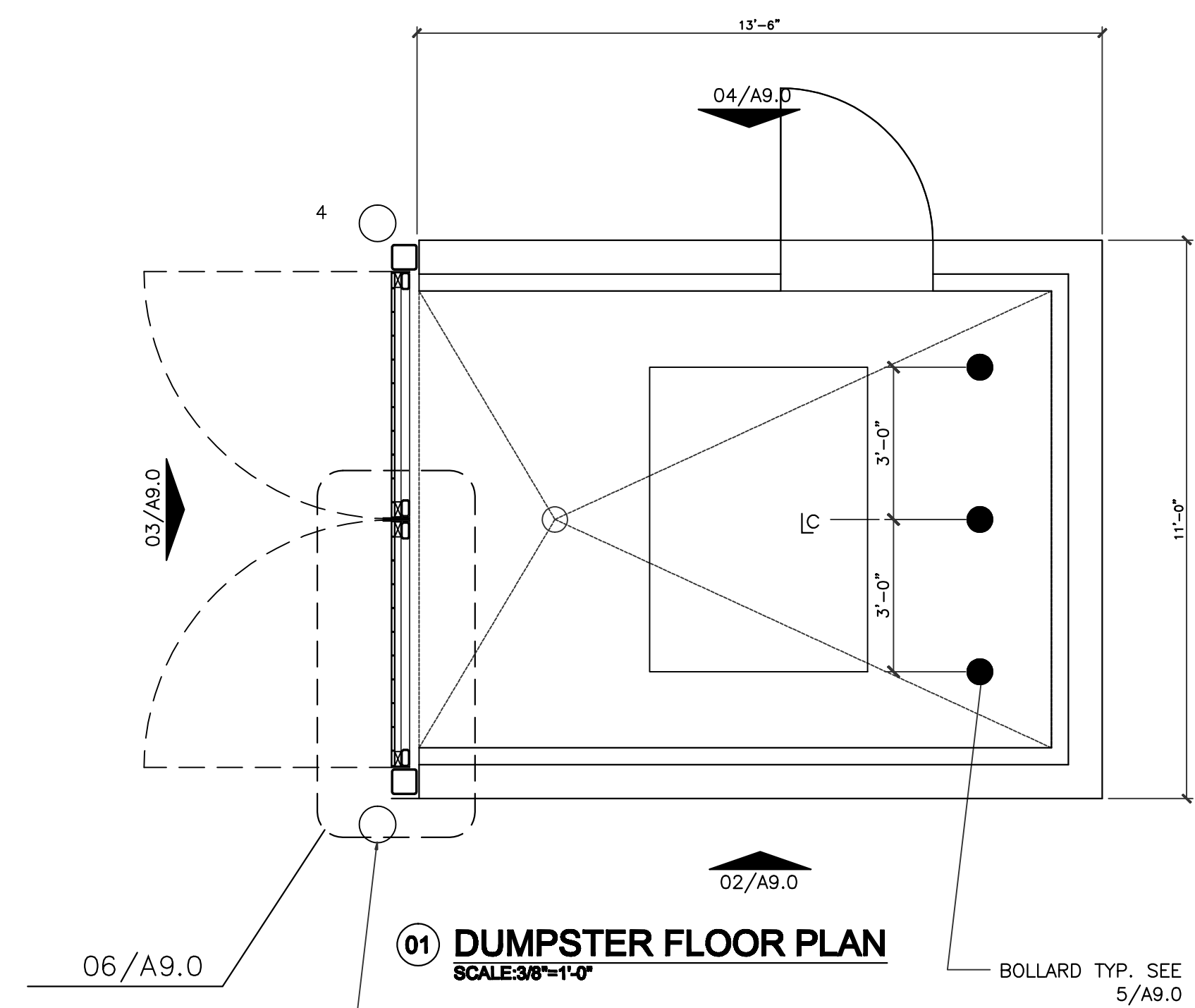


REVISIONS AND ISSUANCE		
NO.	DATE	DESCRIPTION
1	04152019	PRICING
2	06202019	PERMIT

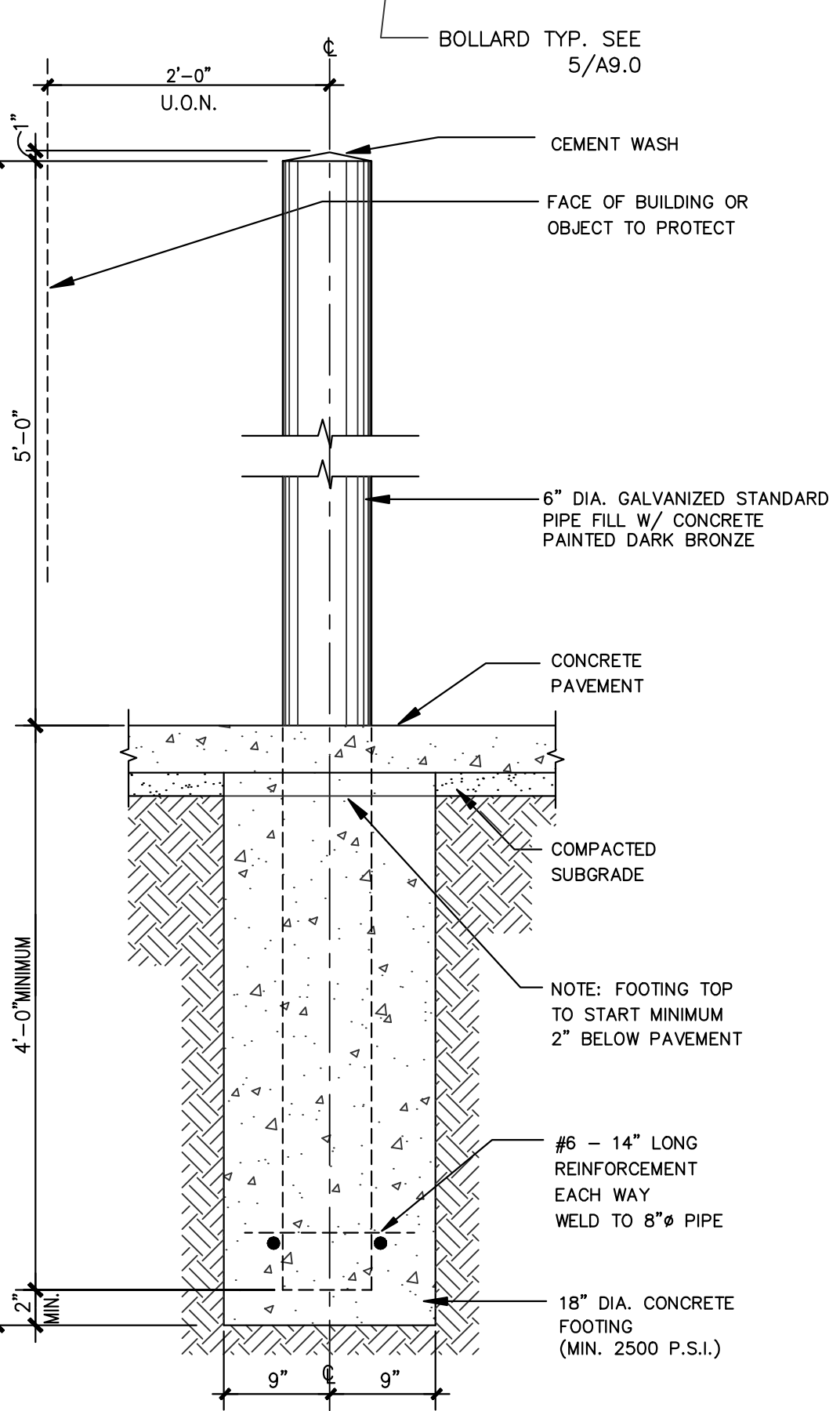
IVY KIDS EARLY LEARNING CENTER
 LOT COM2I
 CROSS CREEK RANCH
 6407 CROSS CREEK BEND LANE
 FULSHEAR, TX 77441



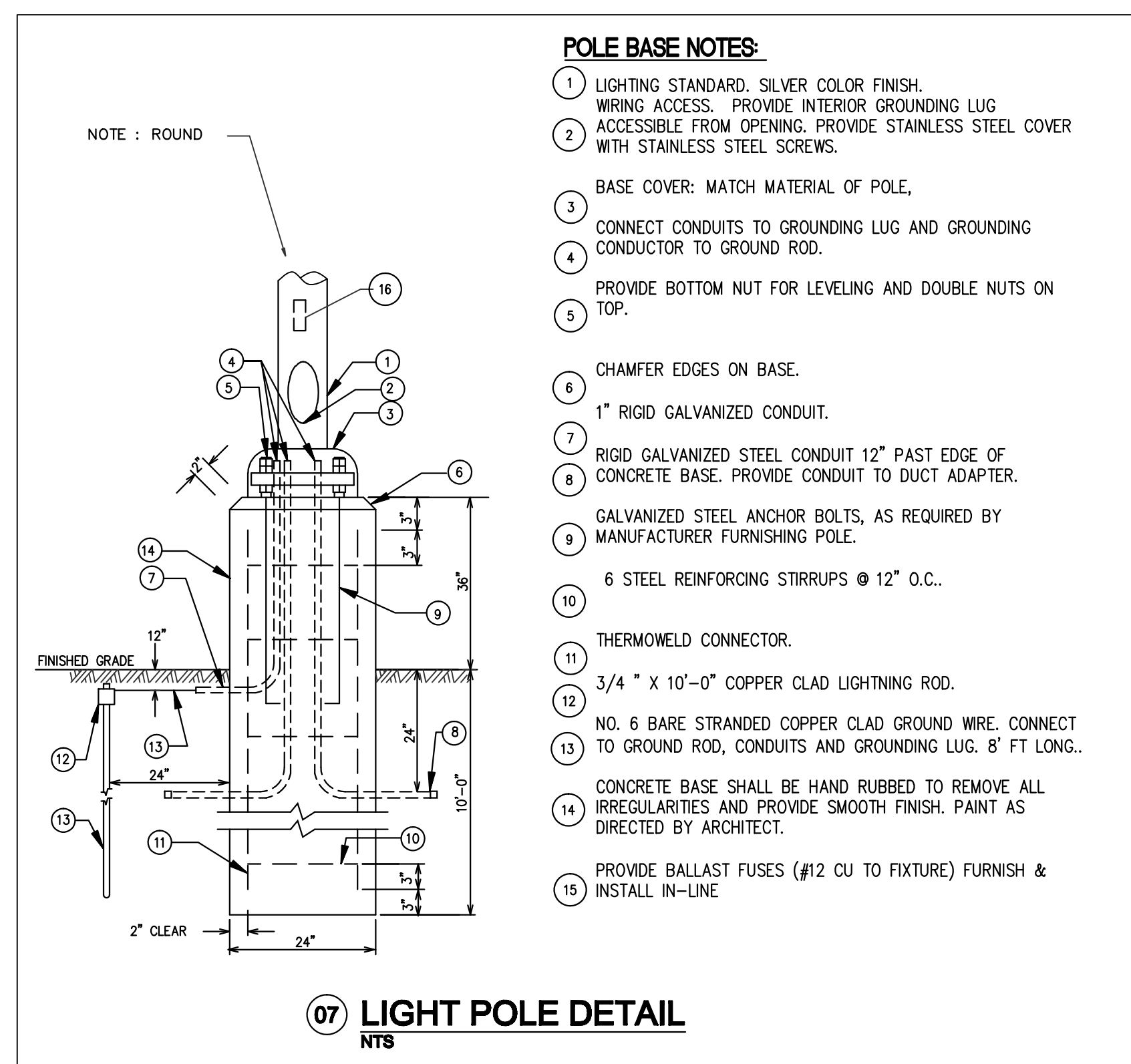
02 DUMPSTER ELEVATION
SCALE: 3/8"=1'-0"

03 DUMPSTER ELEVATION
SCALE: 3/8"=1'-0"

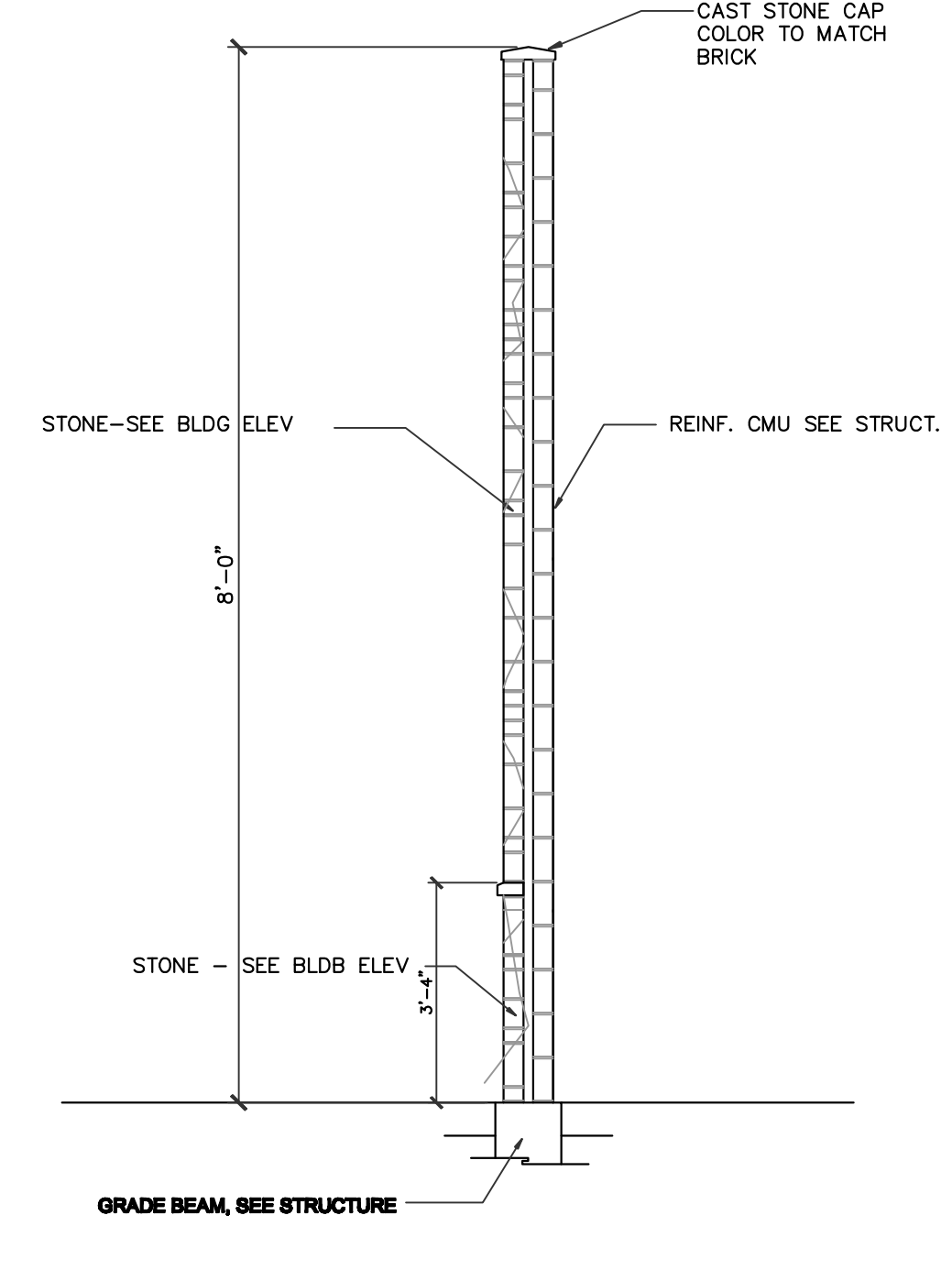
04 DUMPSTER ELEVATION
SCALE: 3/8"=1'-0"



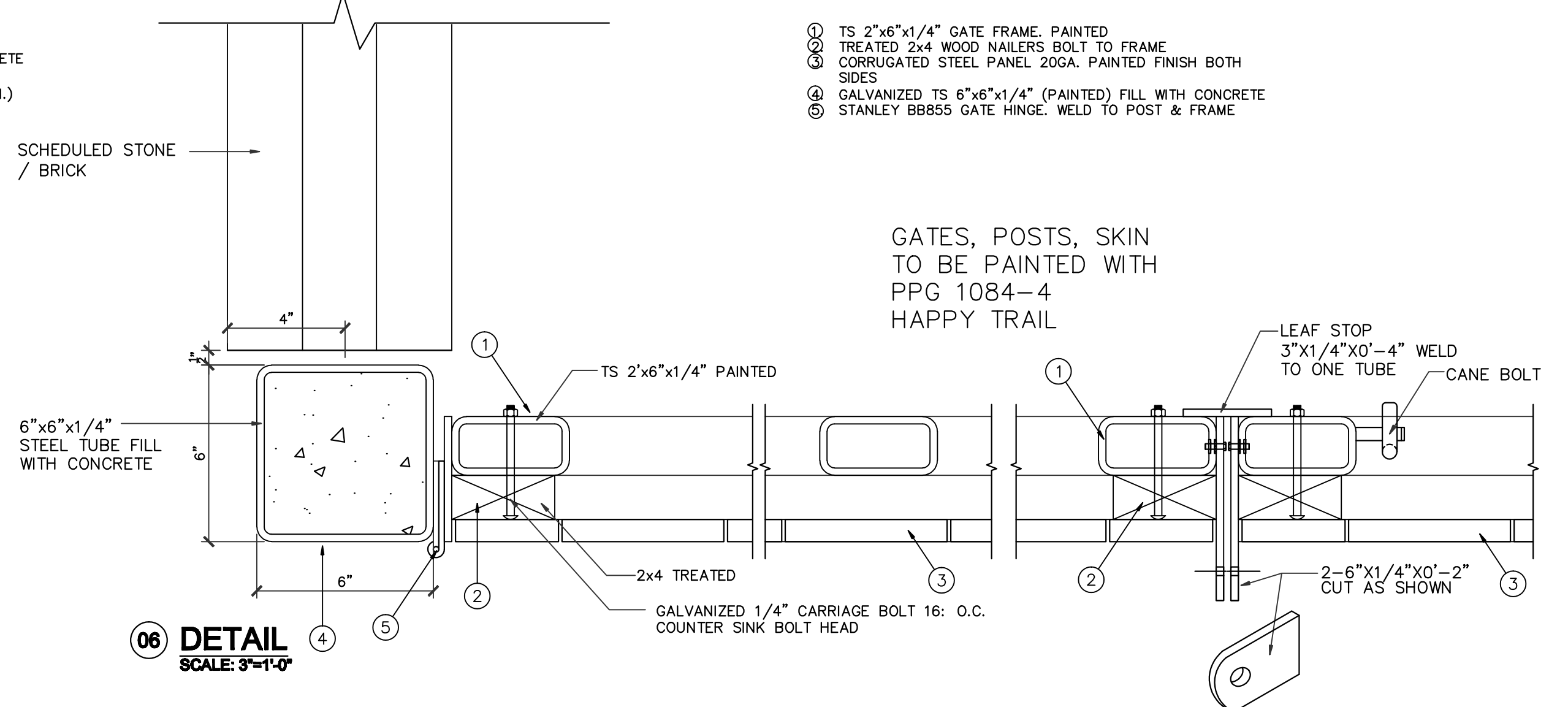
05 BOLLARD DETAIL
SCALE: NOT TO SCALE



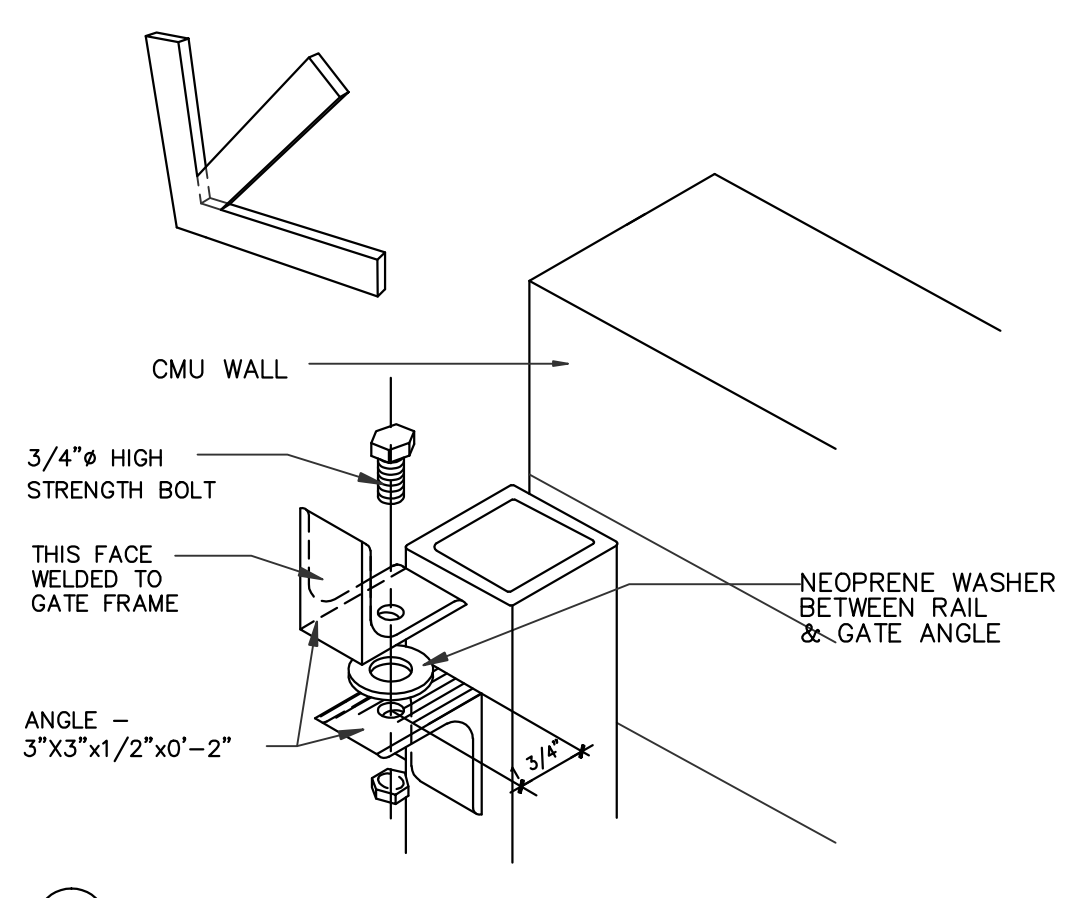
07 LIGHT POLE DETAIL
NTS



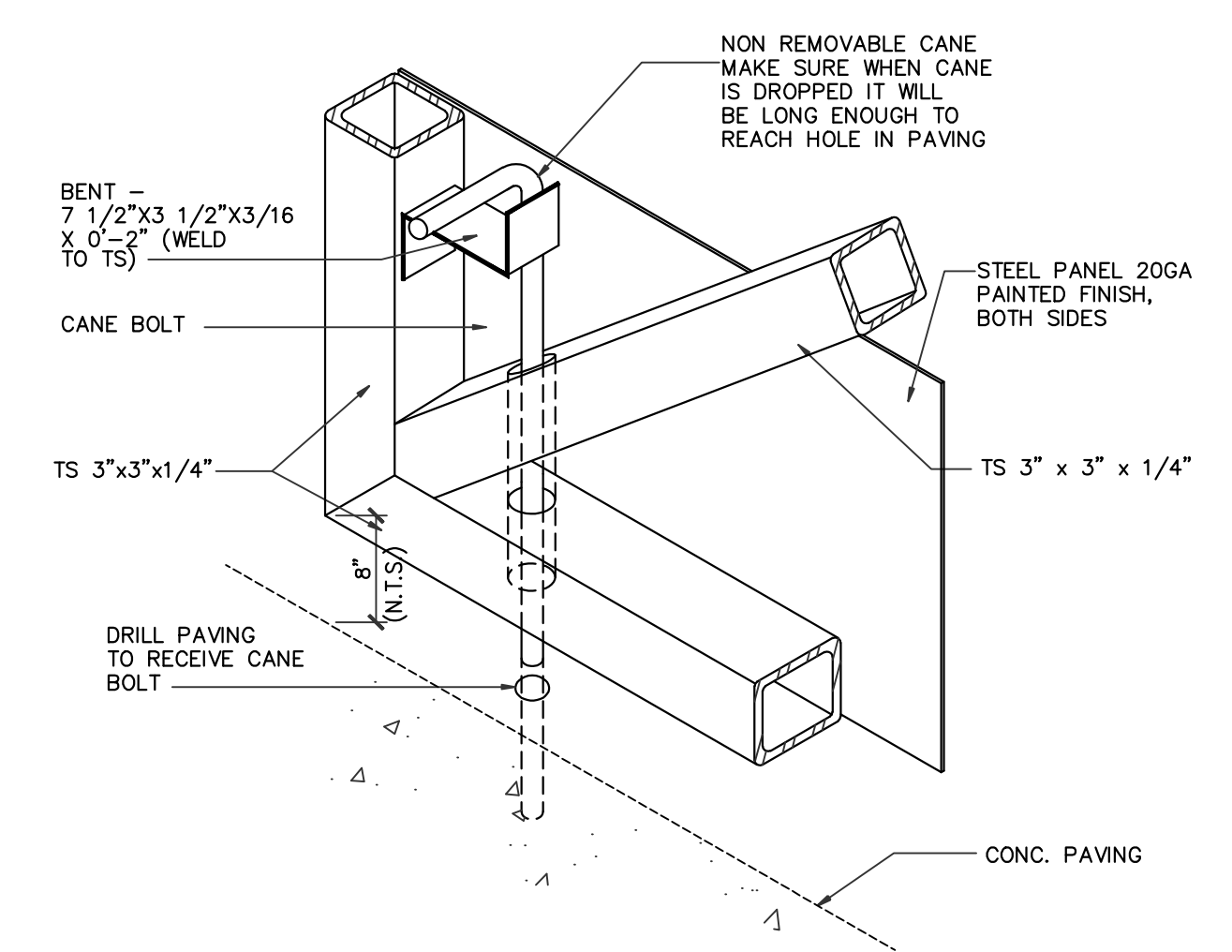
07 DUMPSTER WALL SECTION
SCALE: NTS



08 DETAIL
SCALE: 3/8"=1'-0"



08 DETAIL
NTS



09 DETAIL
NTS



DRAWING TITLE
DUMPSTER ENCLOSURE PLAN, ELEV., & DETAILS
 DRAWN BY: fulshear
 CHECKED BY: JC
 DATE: 09/20/2018
 JOB NO.: fulshear
 DRAWING NO.: **A-9.0**