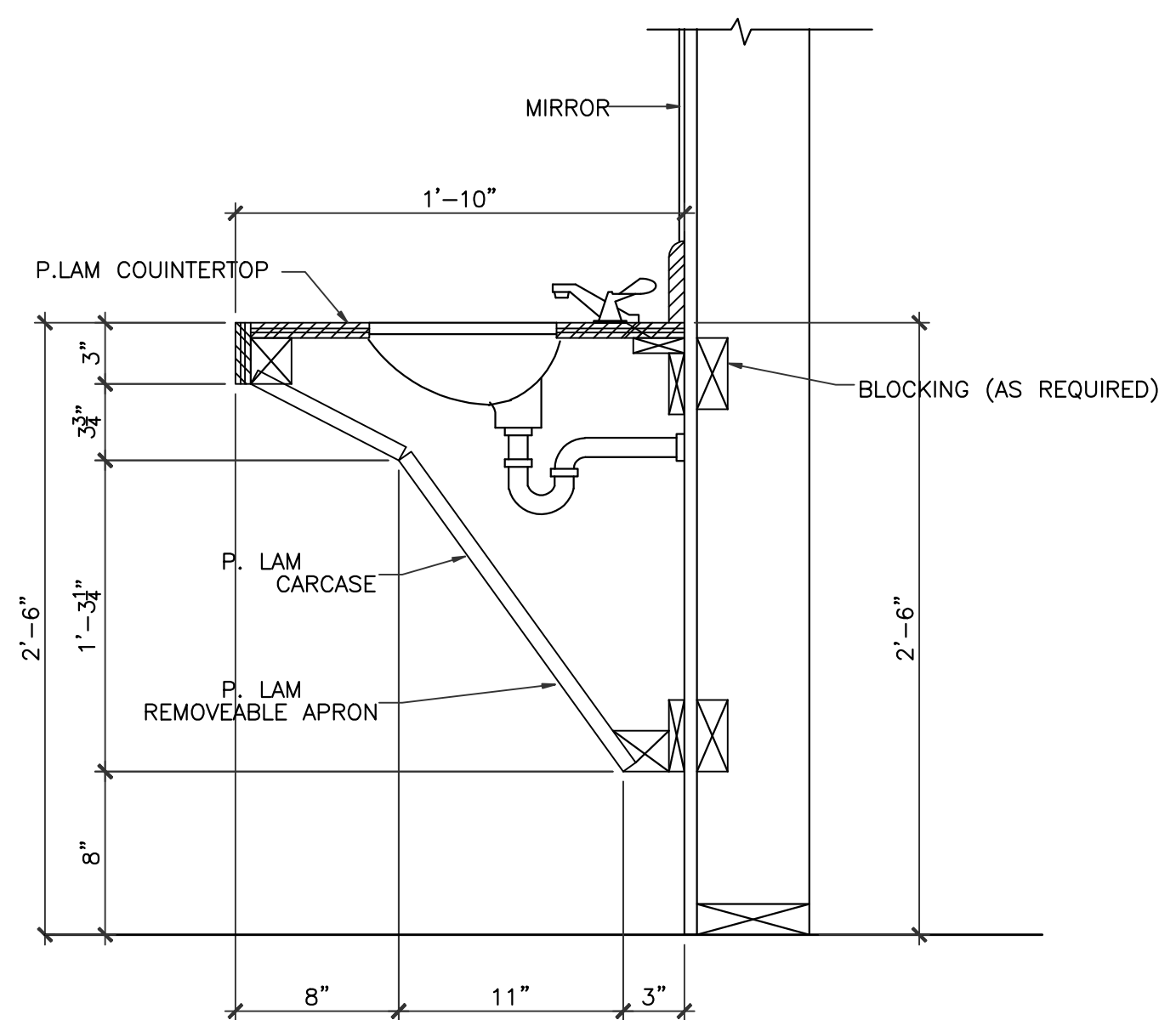


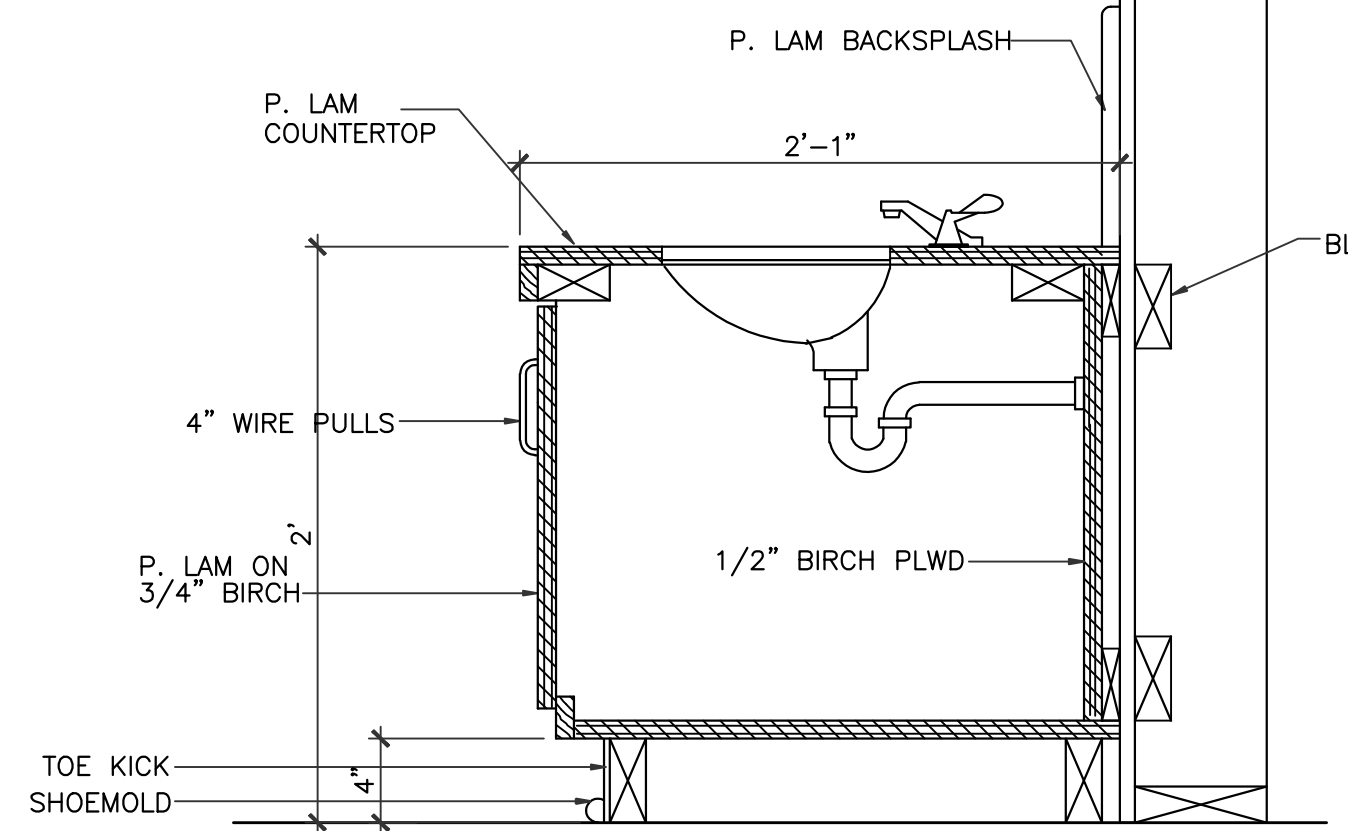
REVISIONS AND ISSUANCE		
NO.	DATE	DESCRIPTION
1	04152019	PRICING
2	06202019	PERMIT

IVY KIDS EARLY LEARNING CENTER
LOT COM2I
CROSS CREEK RANCH
6407 CROSS CREEK BEND LANE
FULSHEAR, TX 77441

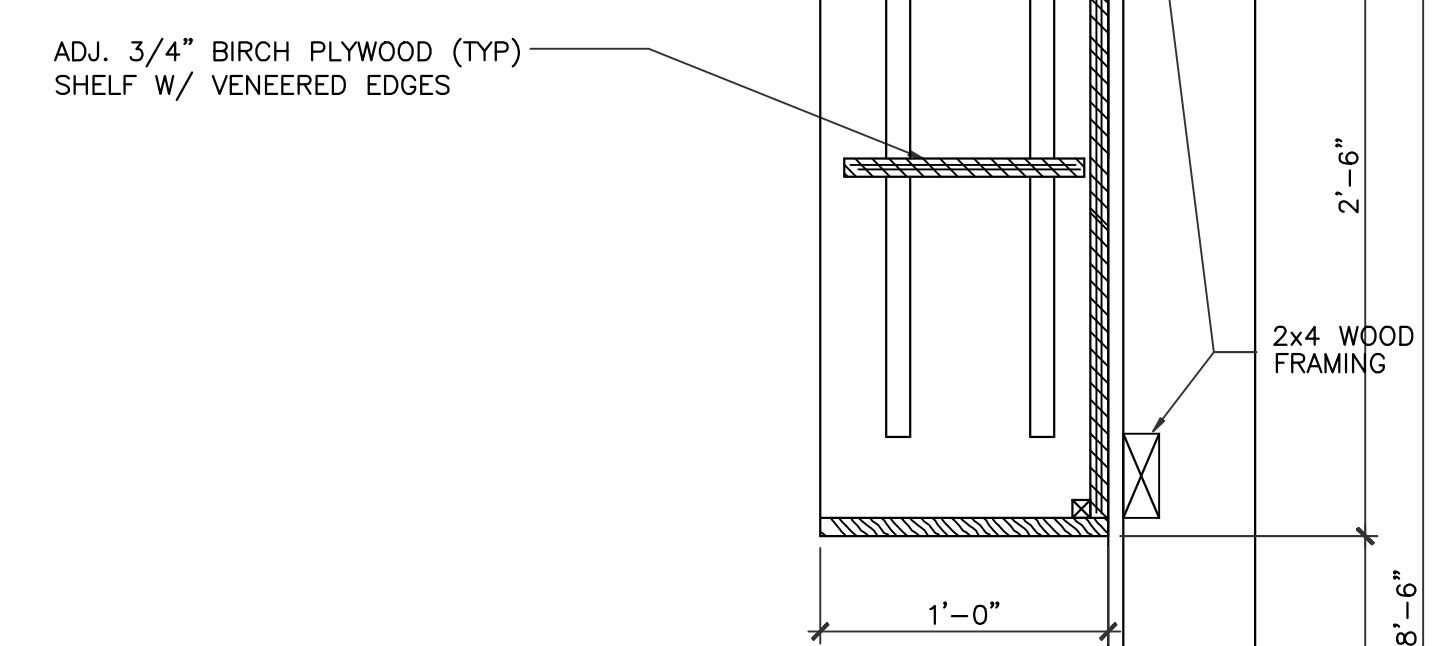


1 MILLWORK SECTION
 SCALE: 1 1/2"=1'-0"
 CLASSROOM #250, #300, #350, #400, #450, #500, #550, ACTIVITY ROOM

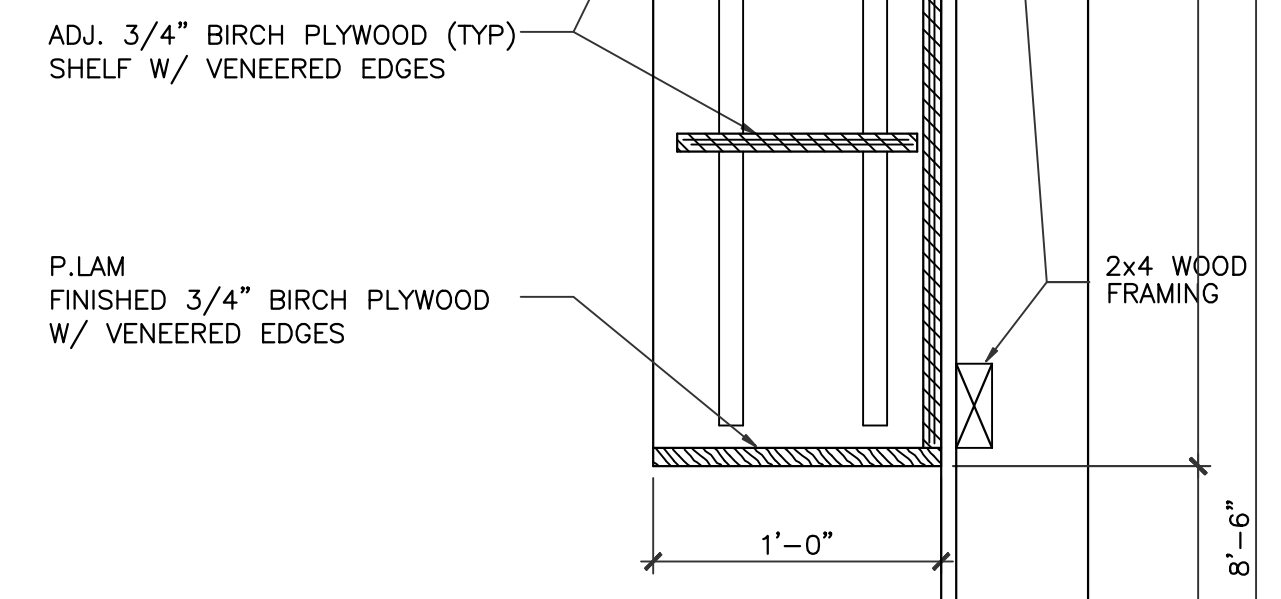
NOTE:
 THESE DIMENSIONS MUST BE MAINTAINED
 TO MEET ADA REQUIREMENTS



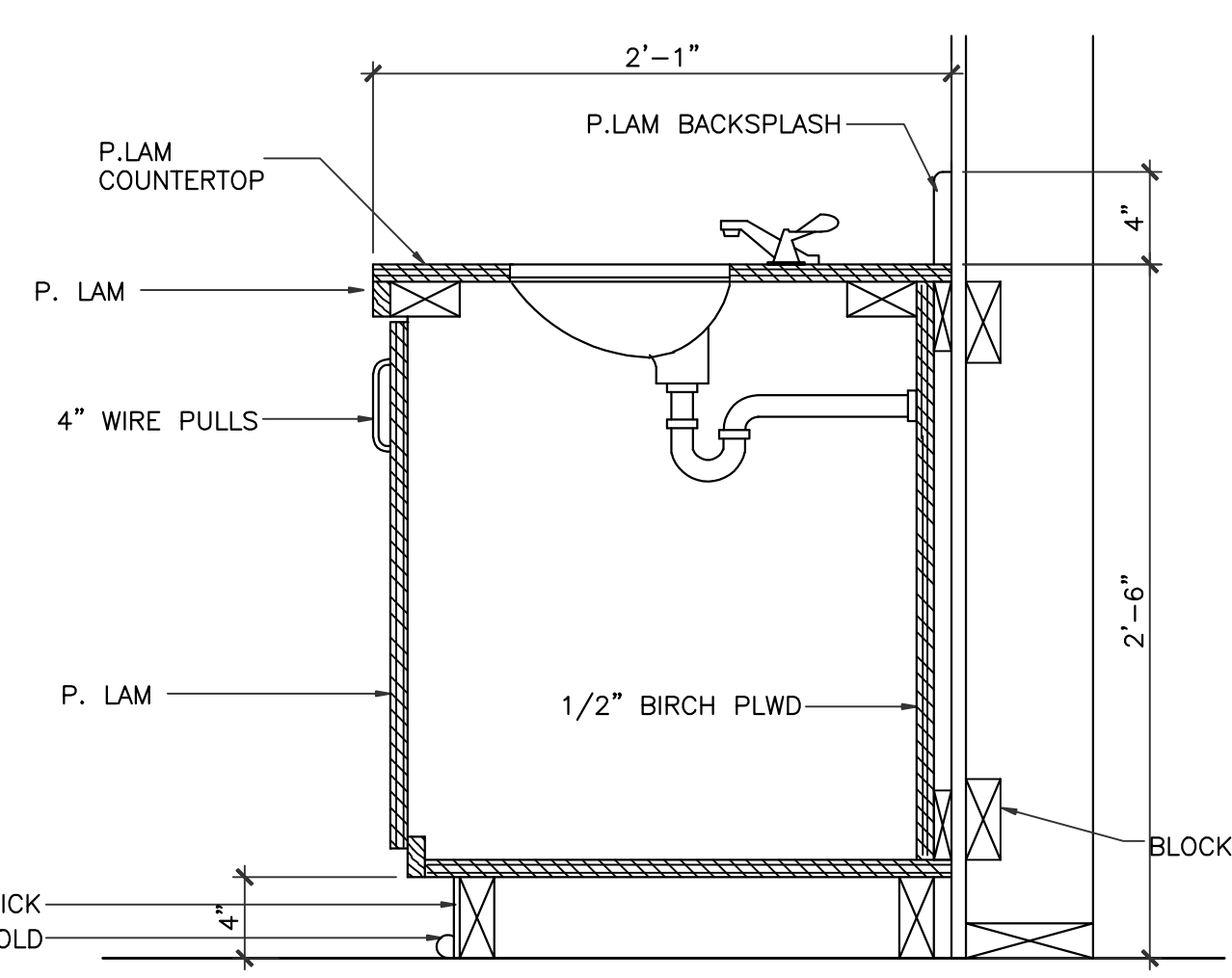
2 MILLWORK SECTION
 SCALE: 1 1/2"=1'-0"
 CLASSROOM #200, #250, #300, #350



7 MILLWORK SECTION
 SCALE: 1 1/2"=1'-0"
 CLASSROOM #250

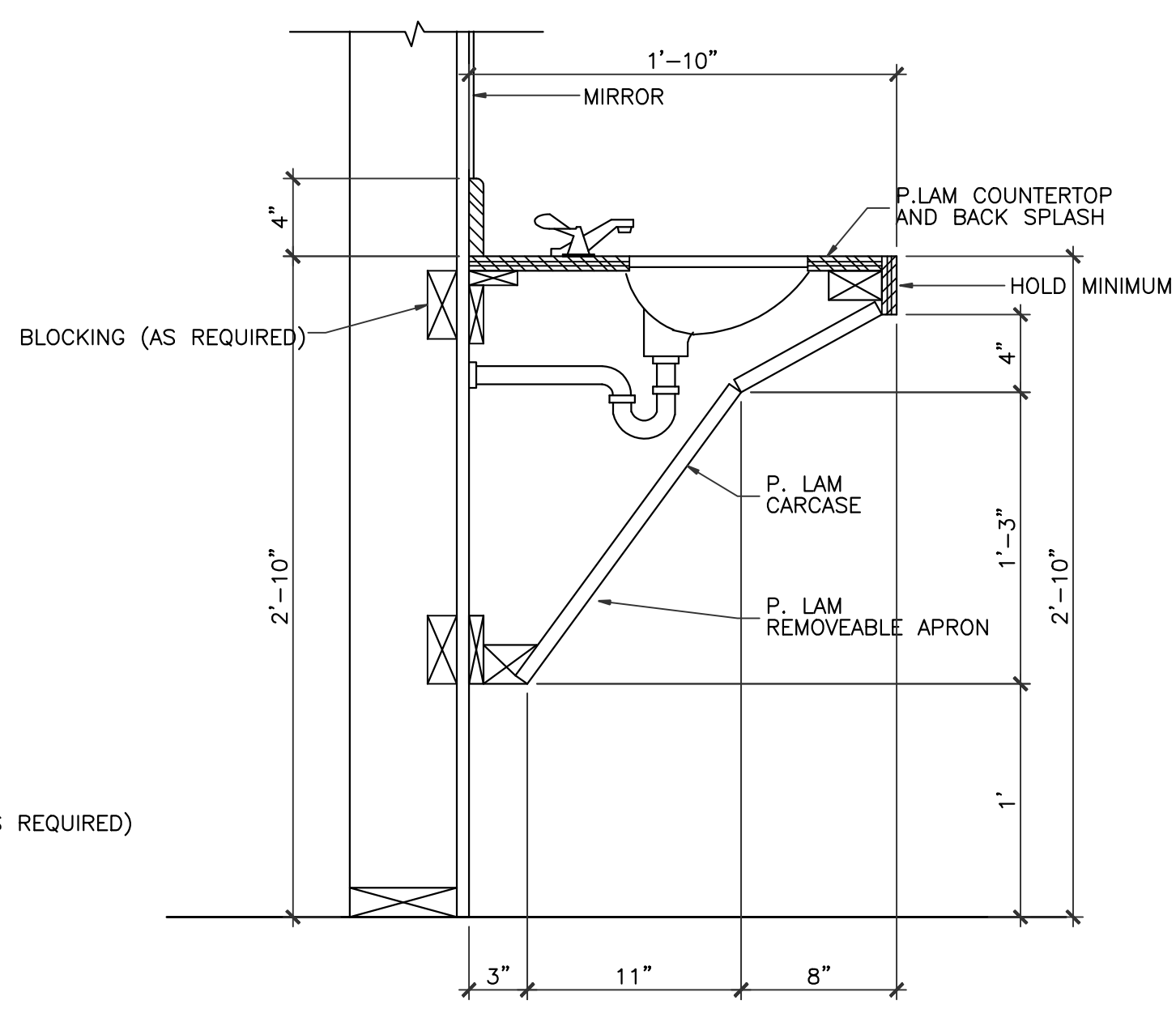


8 MILLWORK SECTION
 SCALE: 1 1/2"=1'-0"
 CLASSROOM #450



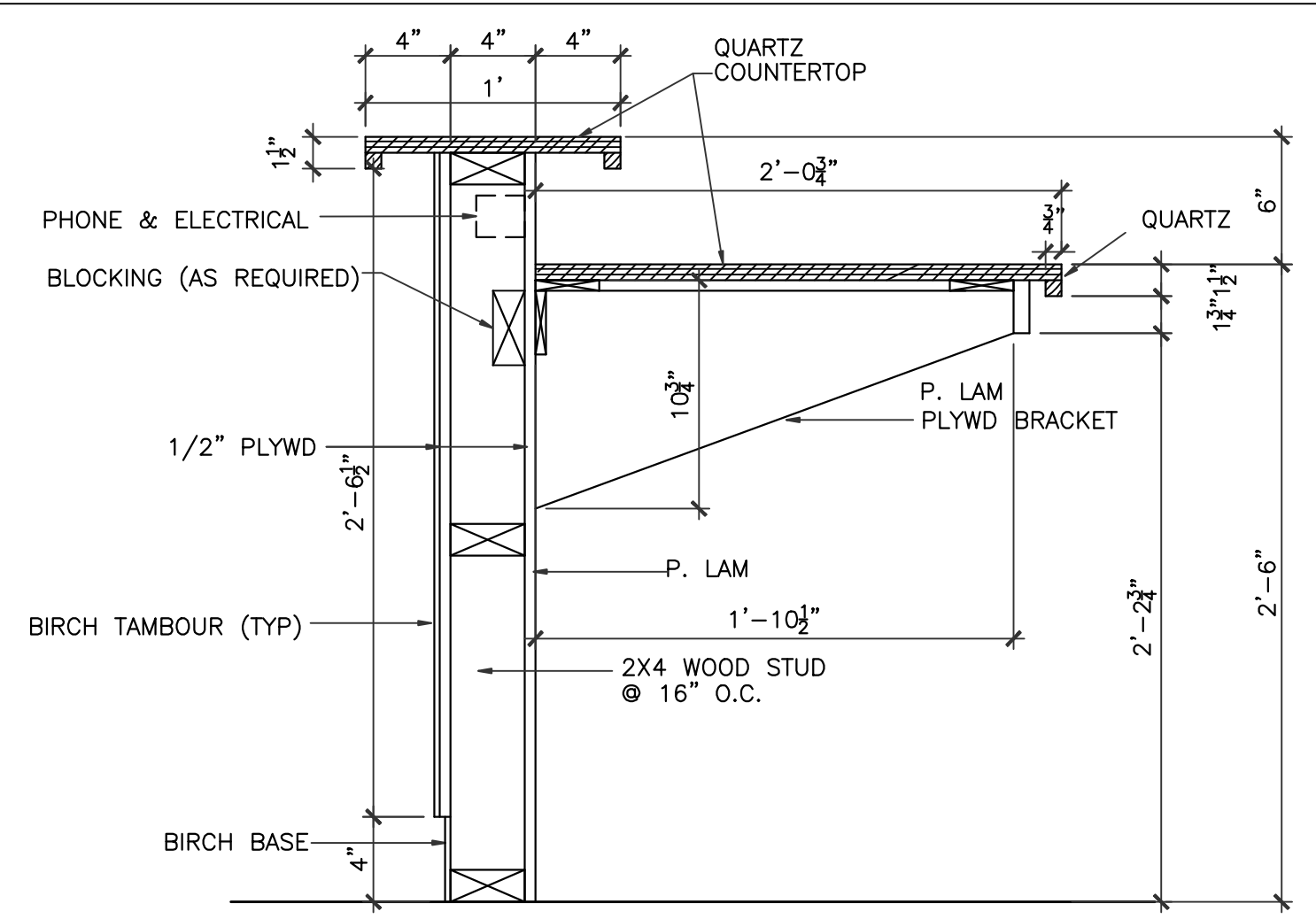
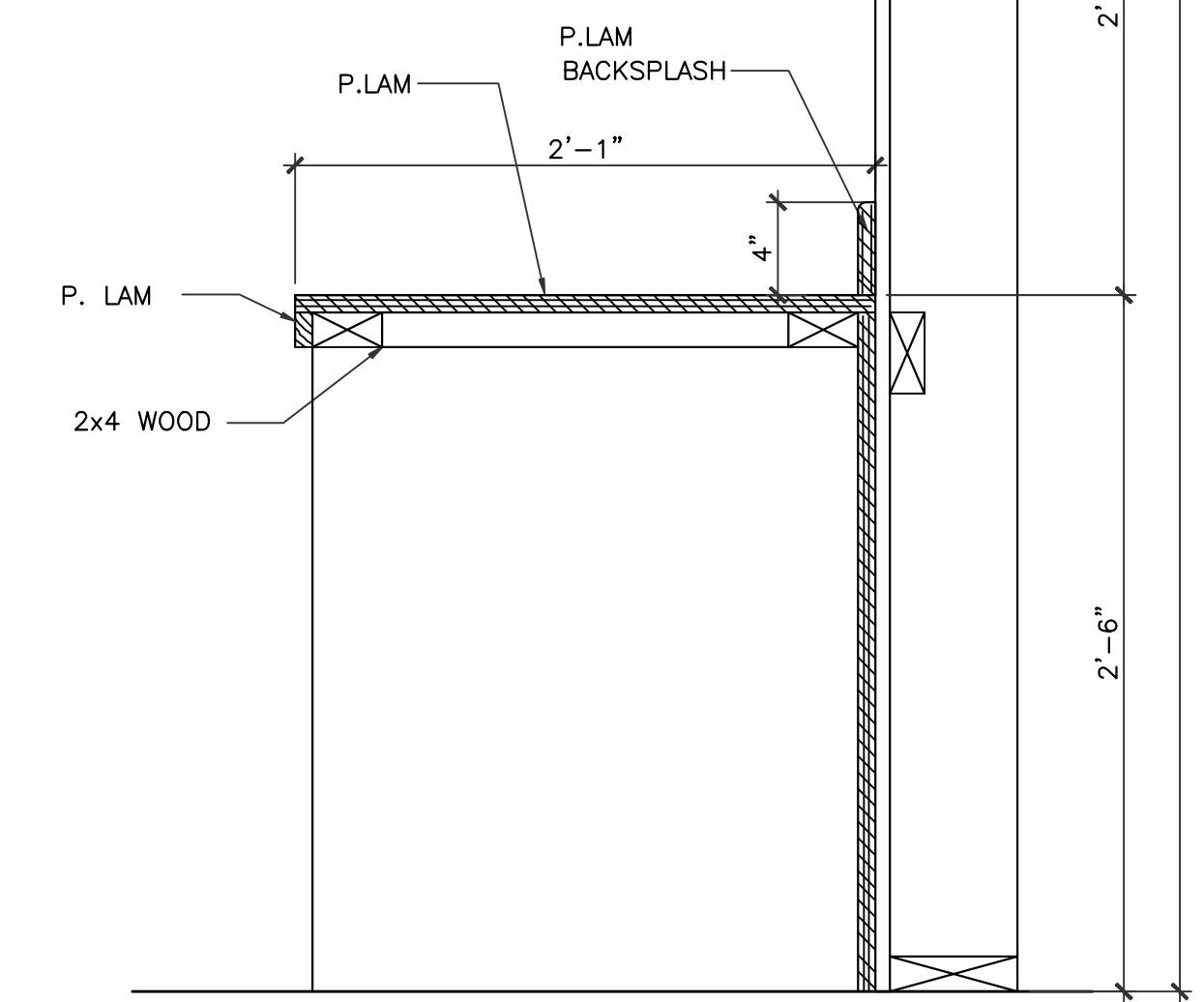
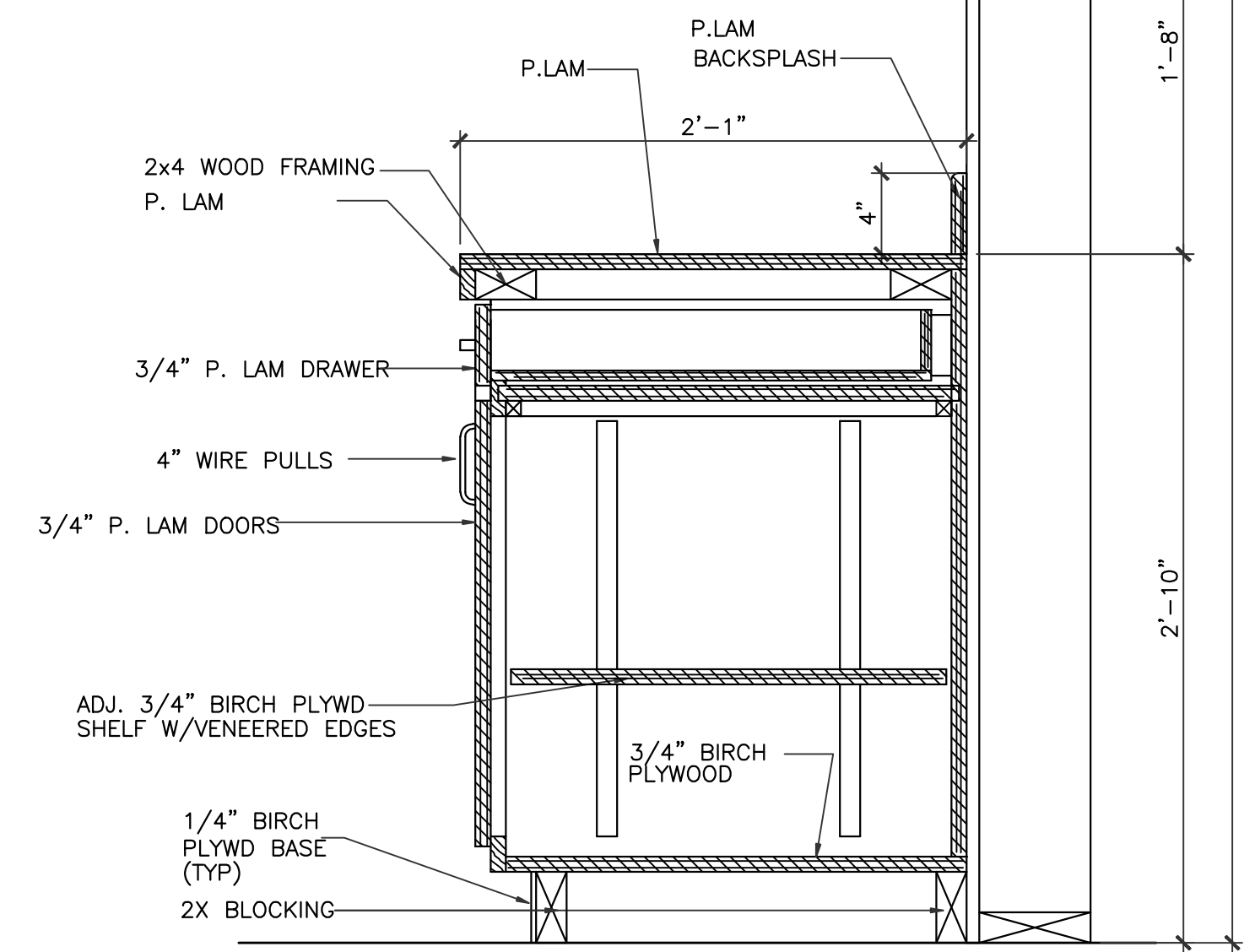
3 MILLWORK SECTION
 SCALE: 1 1/2"=1'-0"
 CLASSROOM #400, #450, #500, #550, ACTIVITY ROOM

P. LAM COUNTER TOP/SPALSH/RETURE: Pionite Pahantasy PH7001
 P. LAM CABINET / CASE WORK: Wilsonart Skyline Walnut 7964

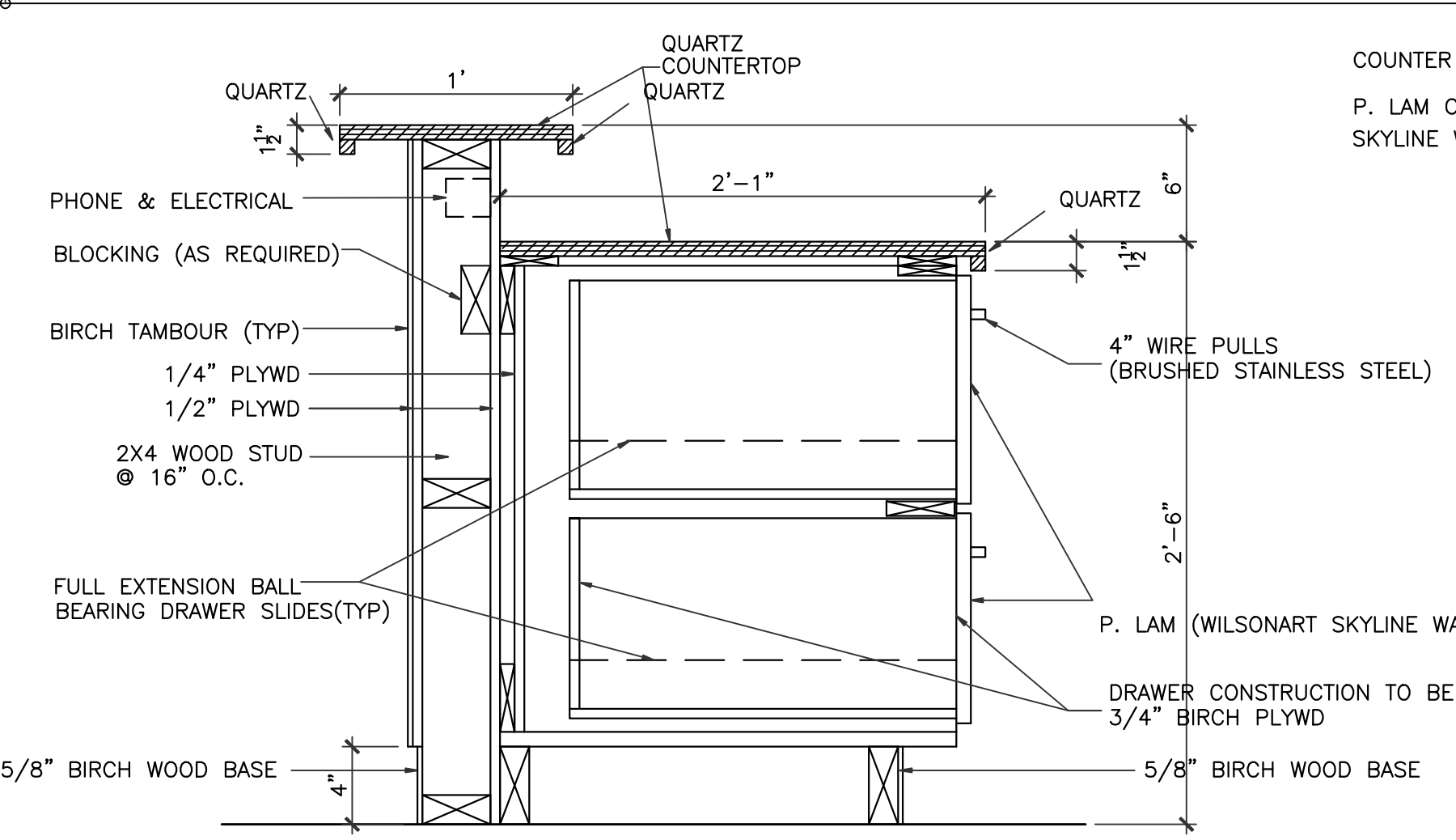


4 MILLWORK SECTION
 SCALE: 1 1/2"=1'-0"
 LUNCHROOM RESTROOM,

NOTE:
 THESE DIMENSIONS MUST BE MAINTAINED
 TO MEET ADA REQUIREMENTS



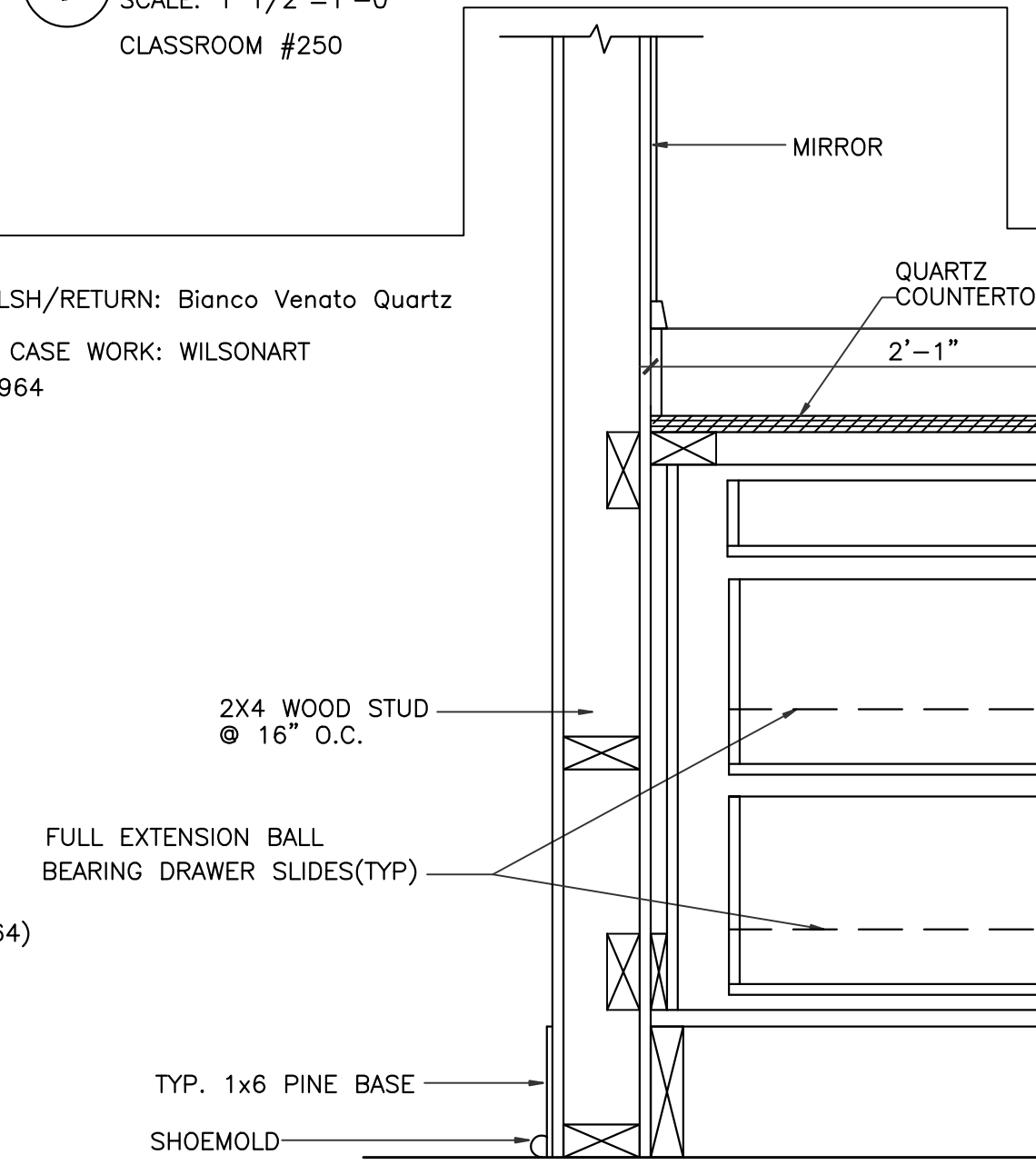
5 MILLWORK SECTION
 SCALE: 1 1/2"=1'-0"
 RECEPTION



6 MILLWORK SECTION
 SCALE: 1 1/2"=1'-0"
 RECEPTION

NOTE:
 EDGE BAND ALL EXPOSED (VISIBLE) EDGES
 ON DRAWER AND CABINET FACES.

COUNTER TOP/SPALSH/RETURN: Bianco Venato Quartz
 P. LAM CABINET / CASE WORK: WILSONART
 SKYLINE WALNUT 7964



9 MILLWORK SECTION
 SCALE: 1 1/2"=1'-0"
 RECEPTION

COUNTER TOP/SPALSH/RETURN: Bianco Venato Quartz
 P. LAM CABINET / CASE WORK: Wilsonart
 Skyline Walnut 7964



DRAWING TITLE	
MILLWORK SECTIONS	
DRAWN BY	CHECKED BY
DATE	JOB NO.
DRAWING NO.	