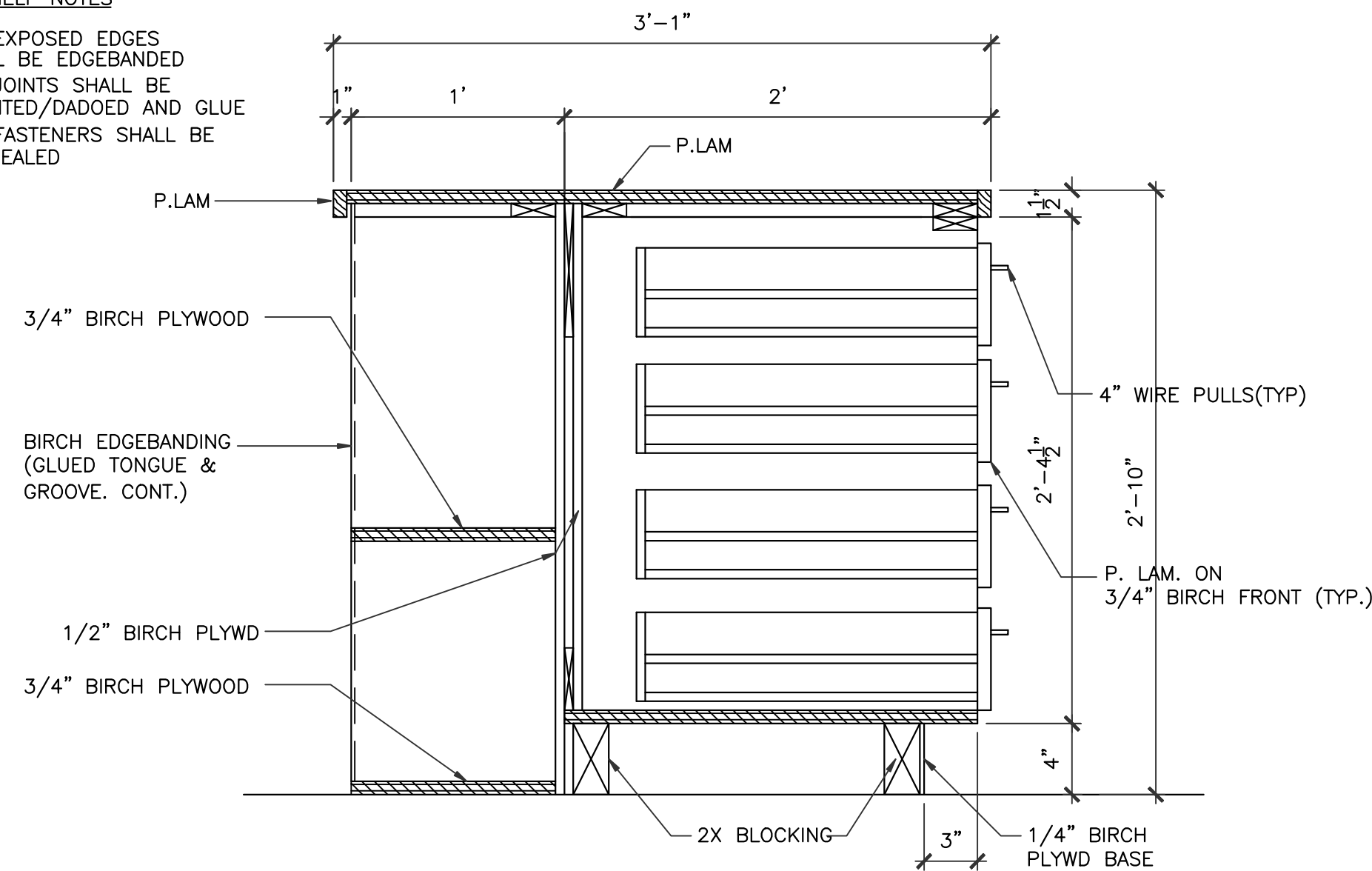
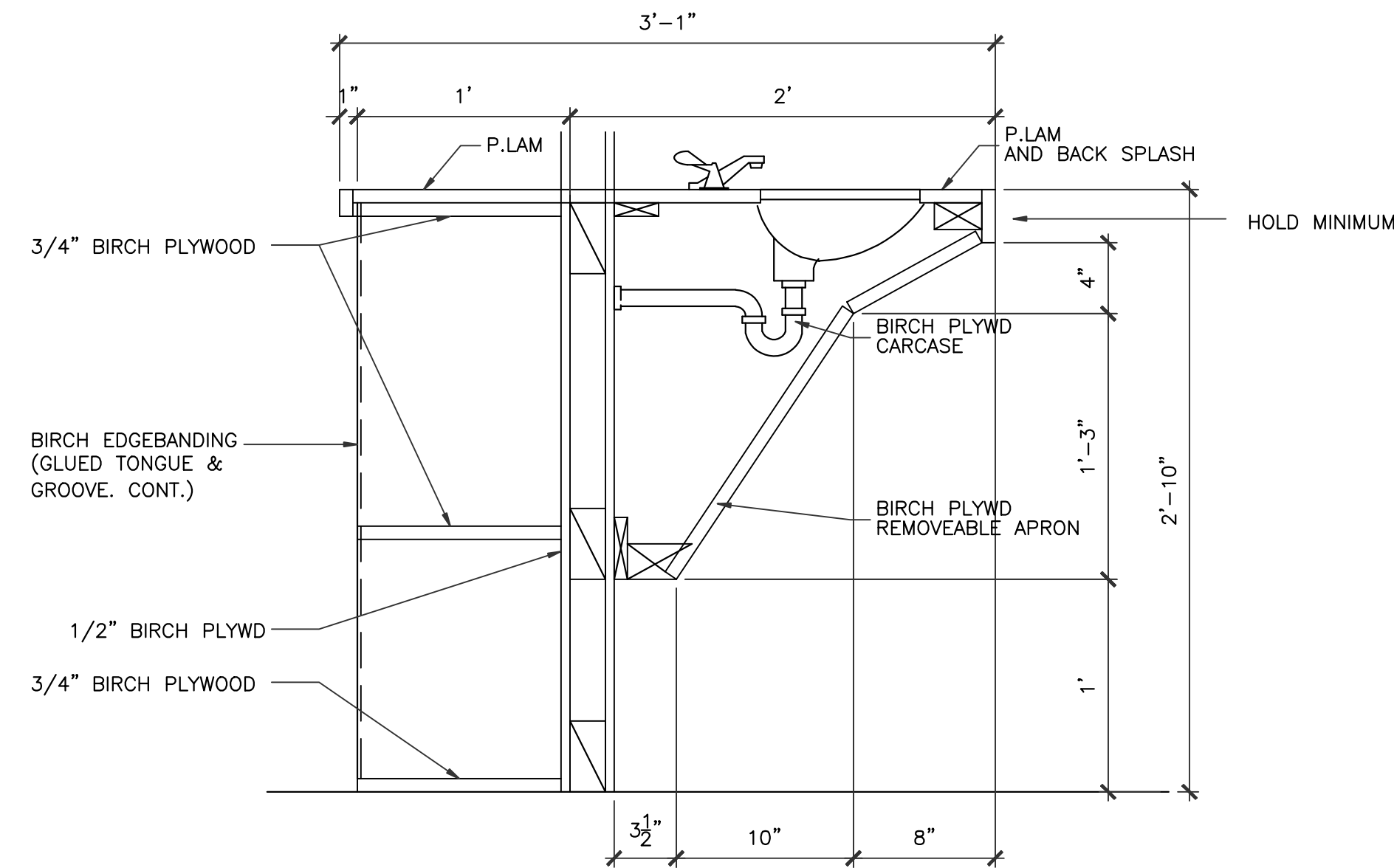


**TOY SHELF NOTES**

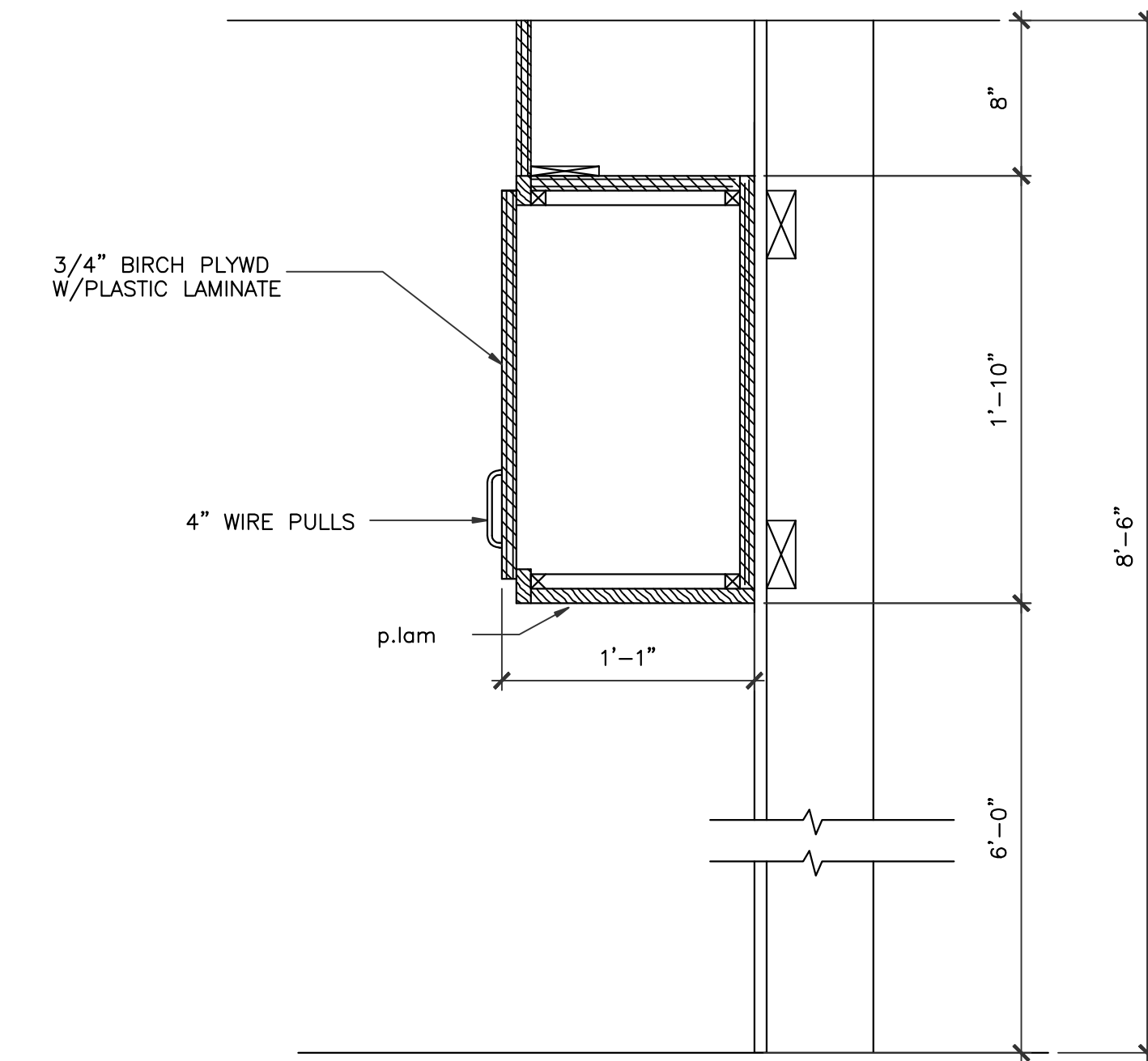
1. ALL EXPOSED EDGES SHALL BE EDGEBANDED
2. ALL JOINTS SHALL BE RABBITED/DADOED AND GLUE
3. ALL FASTENERS SHALL BE CONCEALED



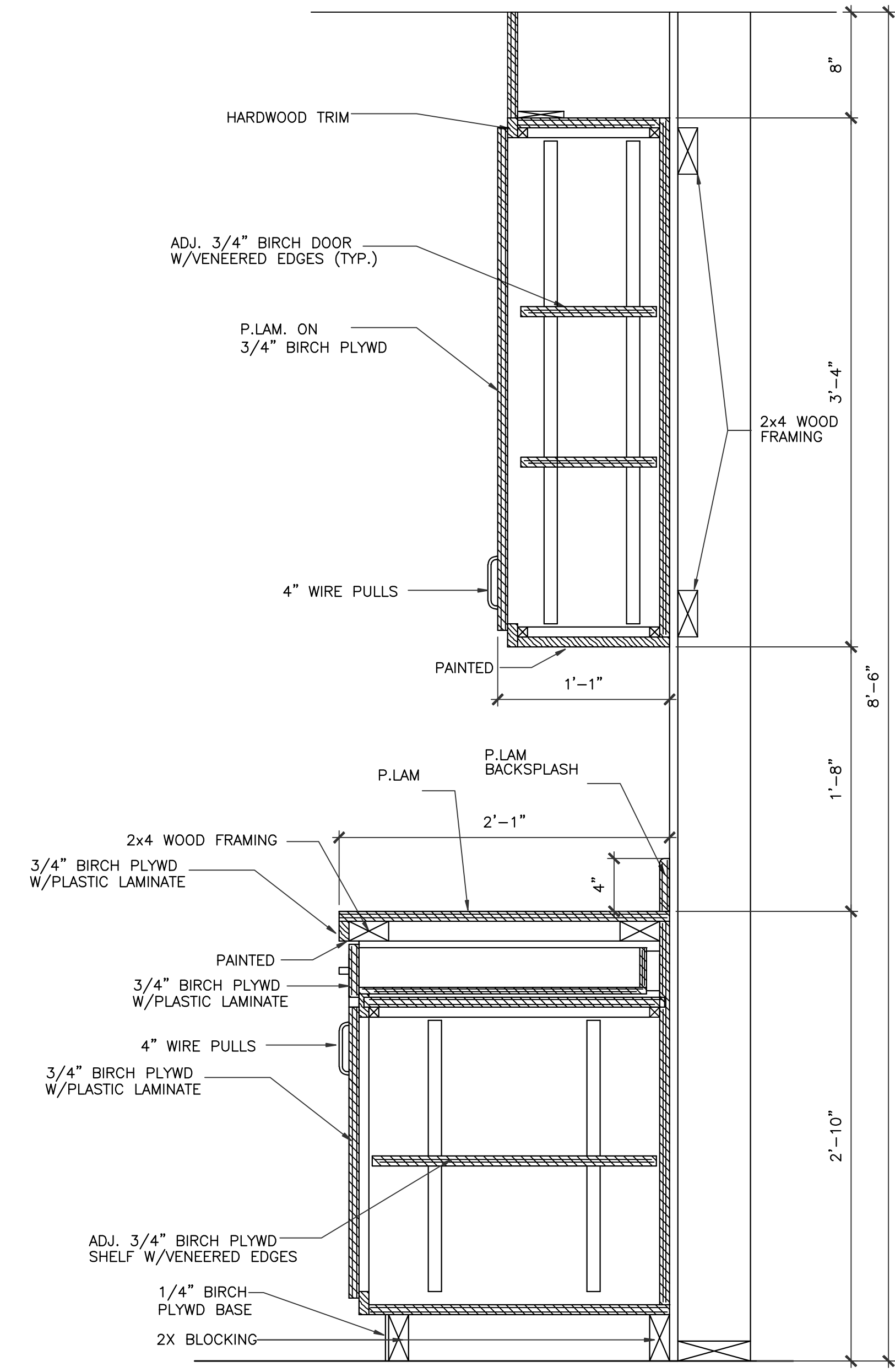
**1 MILLWORK SECTION CLASSROOM #100, #150, #200**  
SCALE: 1 1/2"=1'-0"  
CLASSROOM #100, #150, #200



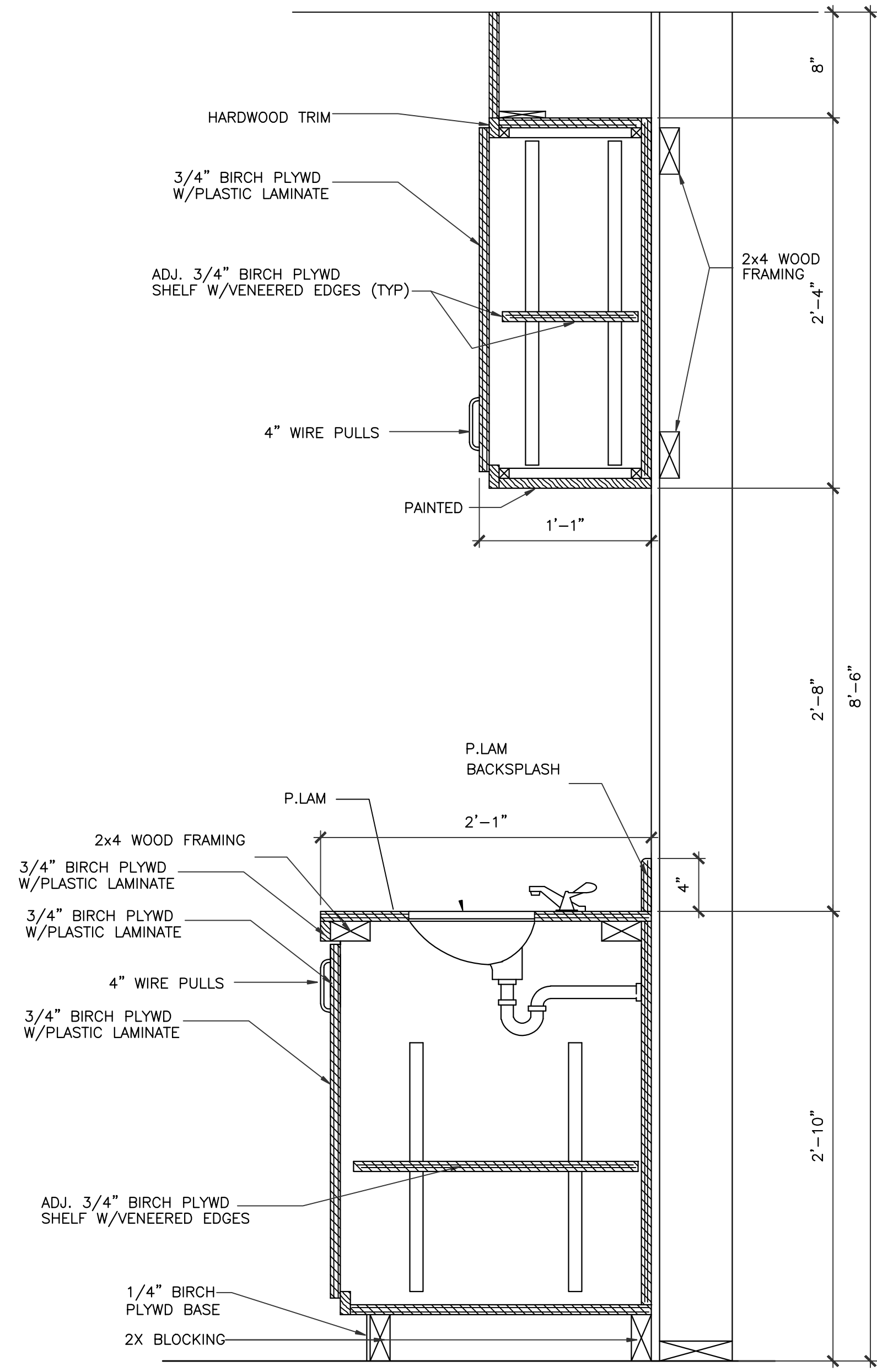
**2 MILLWORK SECTION**  
SCALE: 1 1/2"=1'-0"  
CLASSROOM #100, #150, #200  
NOTE: THESE DIMENSIONS MUST BE MAINTAINED TO MEET ADA REQUIREMENTS



**5 MILLWORK SECTION**  
SCALE: 1 1/2"=1'-0"  
CLASSROOM #100, #150, #200



**3 MILLWORK SECTION**  
SCALE: 1 1/2"=1'-0"  
CLASSROOM #100, #150, #200



**4 MILLWORK SECTION**  
SCALE: 1 1/2"=1'-0"  
CLASSROOM #100, #150, #200

REVISIONS AND ISSUANCE		
NO.	DATE	DESCRIPTION
1	04152019	PRICING
2	06202019	PERMIT

**IVY KIDS EARLY LEARNING CENTER**  
LOT COM2I  
CROSS CREEK RANCH  
6407 CROSS CREEK BEND LANE  
FULSHEAR, TX 77441



DRAWING TITLE	
<b>MILLWORK SECTIONS</b>	
DRAWN BY	CHECKED BY
DATE	JOB NO.
DRAWING NO.	