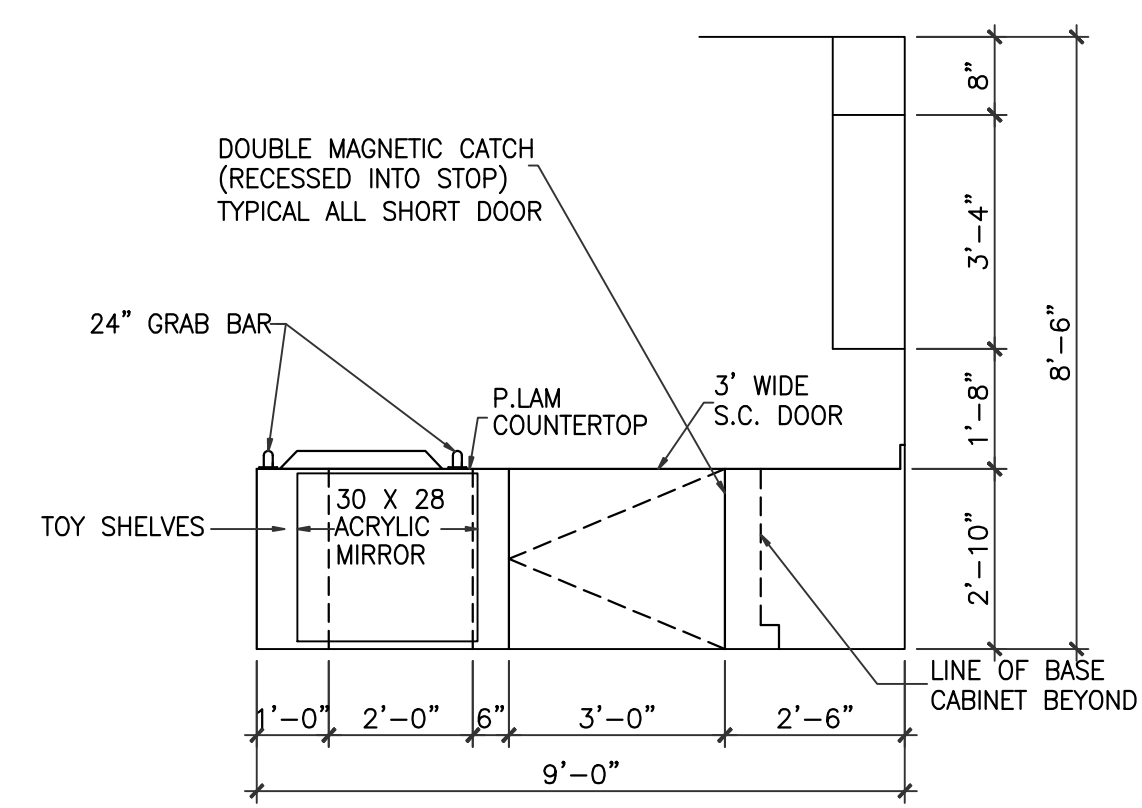
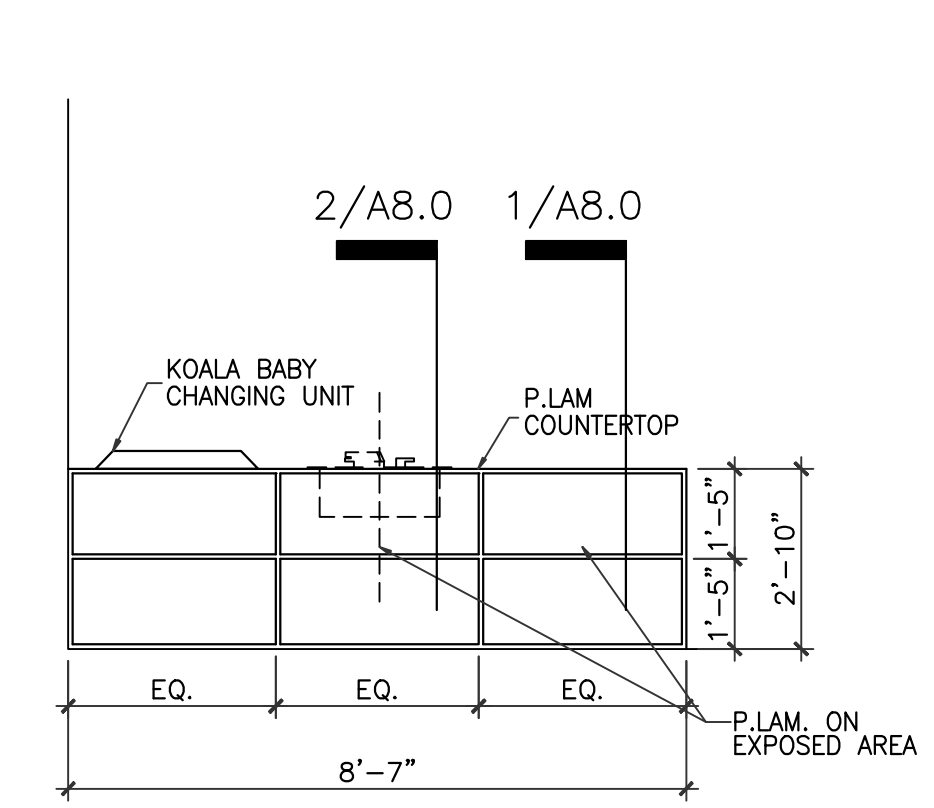


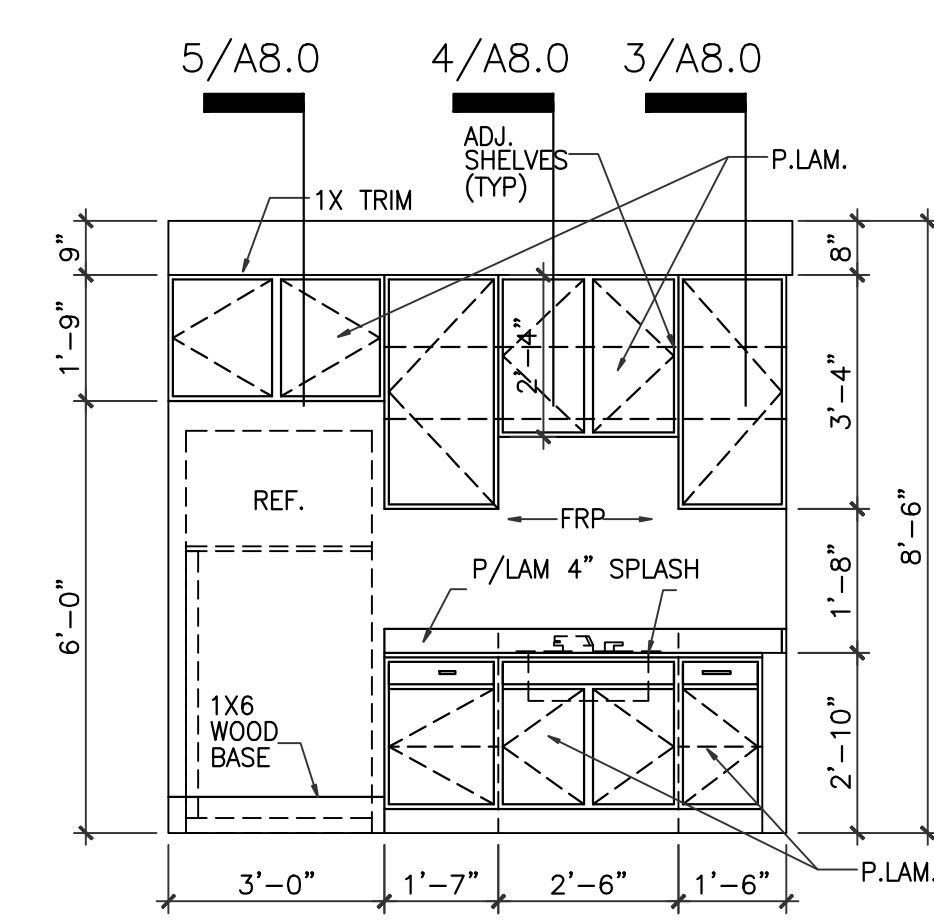
REVISIONS AND ISSUANCE		
NO.	DATE	DESCRIPTION
1	04152019	PRICING
2	06202019	PERMIT



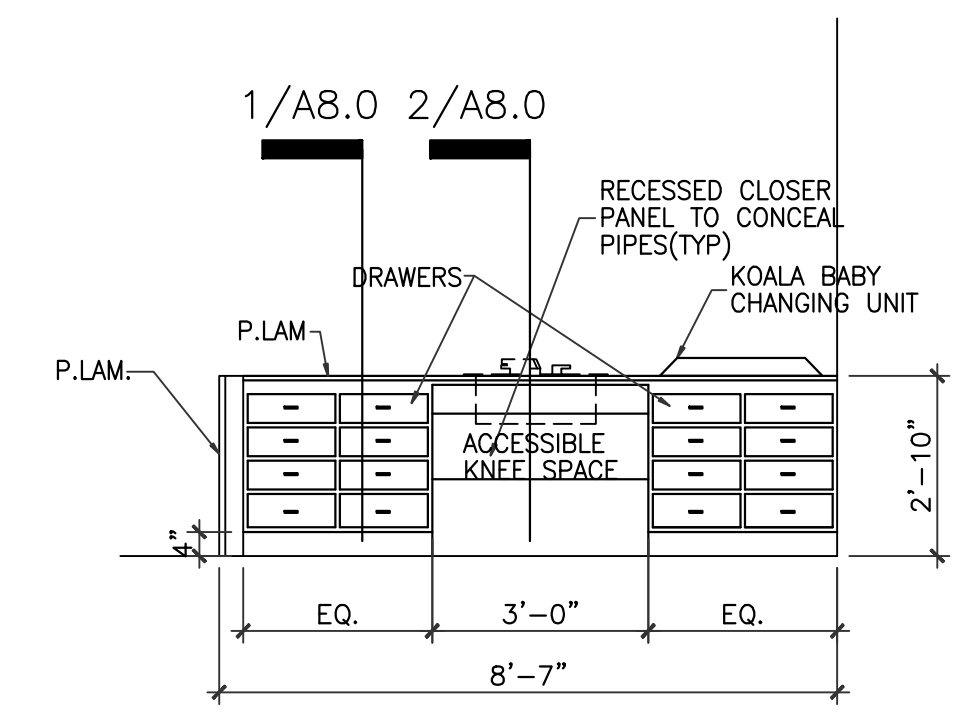
1 MILLWORK ELEVATION
 3/8" = 1'-0"
 CLASSROOM #100
 CLASSROOM #150 (OPP. HD.)
 CLASSROOM #200



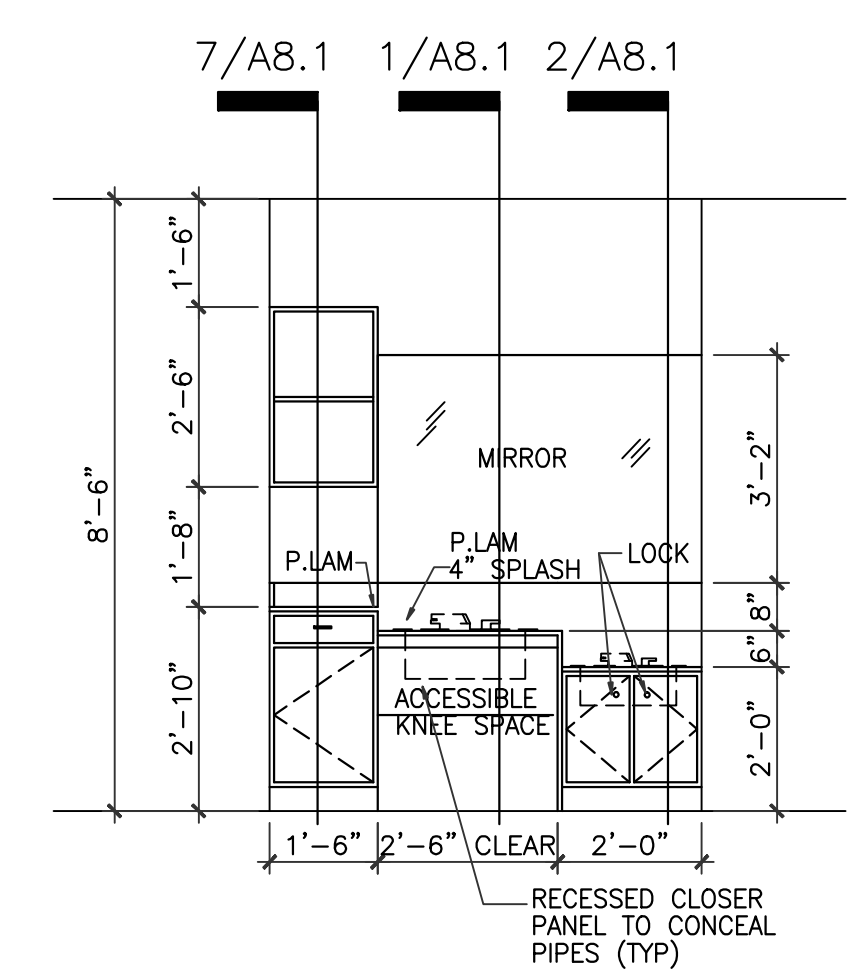
2 MILLWORK ELEVATION-TOY SHELVES
 3/8" = 1'-0"
 CLASSROOM #100
 CLASSROOM #150 (OPP. HD.)
 CLASSROOM #200



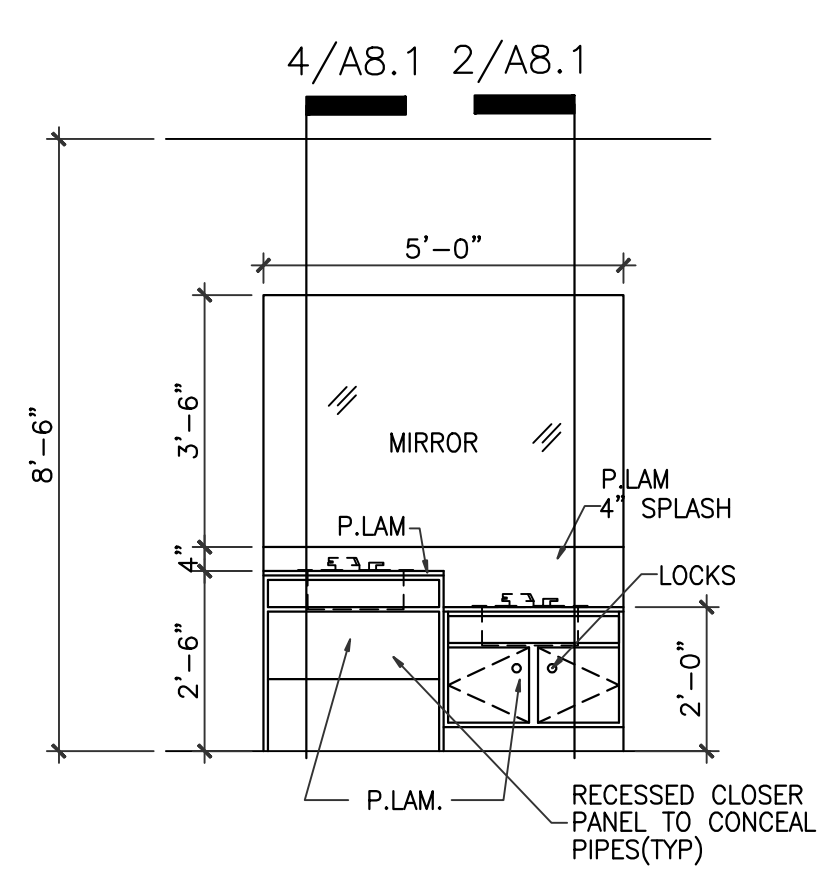
3 MILLWORK ELEVATION
 3/8" = 1'-0"
 CLASSROOM #100
 CLASSROOM #150 (OPP. HD.)
 CLASSROOM #200



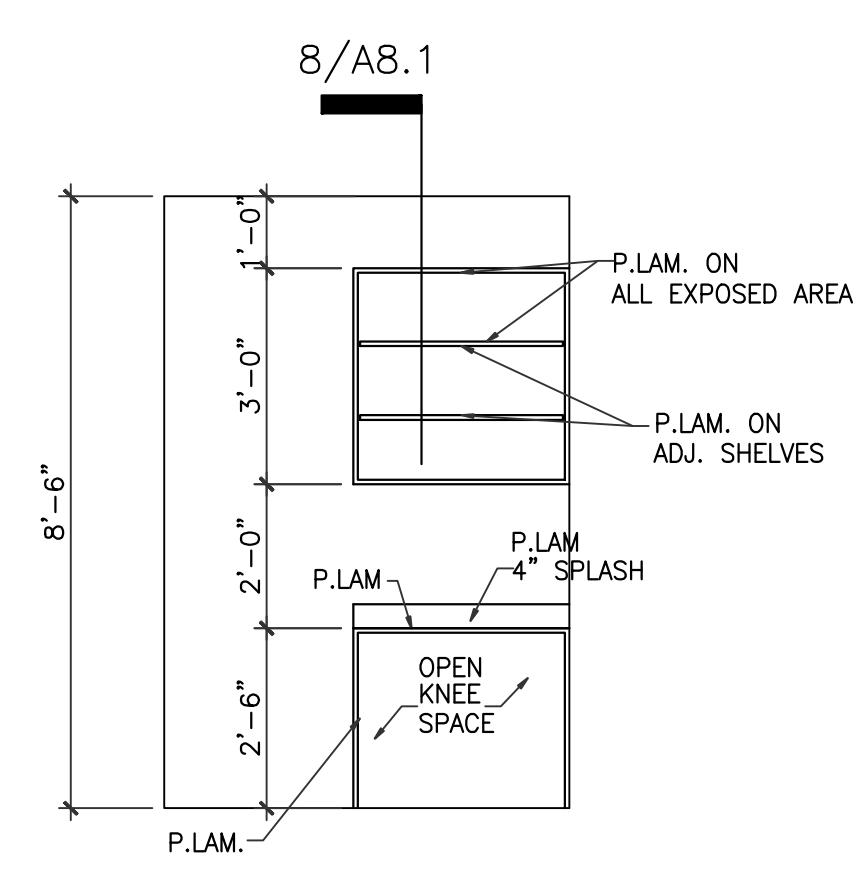
4 MILLWORK ELEVATION
 3/8" = 1'-0"
 CLASSROOM #100
 CLASSROOM #150 (OPP. HD.)
 CLASSROOM #200



5 MILLWORK ELEVATION
 3/8" = 1'-0"
 CLASSROOM #250

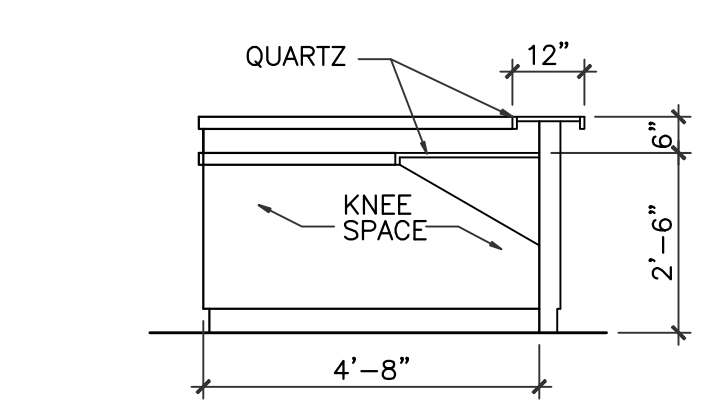


6 MILLWORK ELEVATION
 3/8" = 1'-0"
 CLASSROOM #300
 CLASSROOM #350

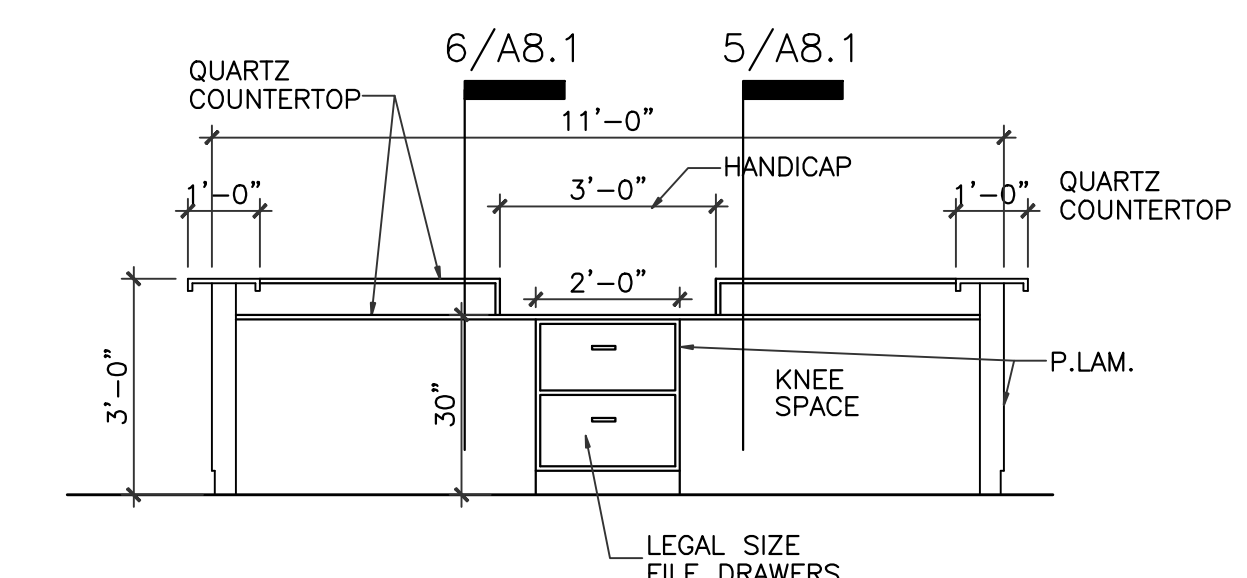


7 MILLWORK ELEVATION
 3/8" = 1'-0"
 CLASSROOM #450
 CLASSROOM #500
 CLASSROOM #550

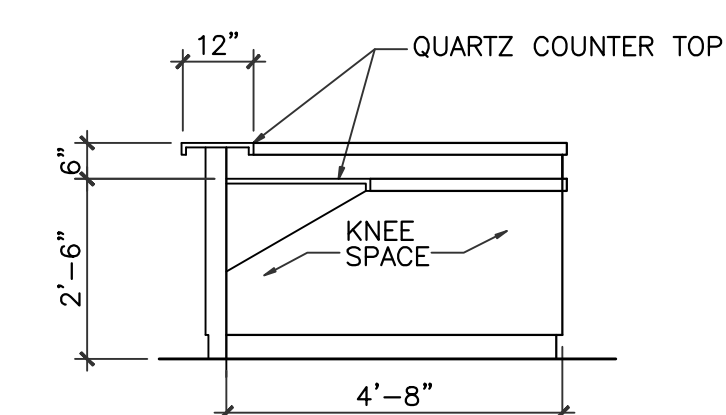
NOT USED
8 MILLWORK ELEVATION @ LOBBY
 3/8" = 1'-0"



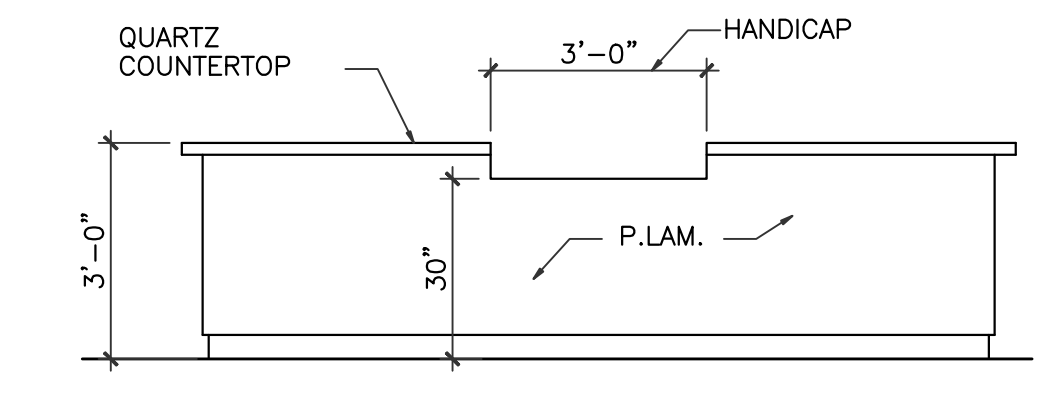
9 MILLWORK ELEVATION-RECEPTION
 3/8" = 1'-0"



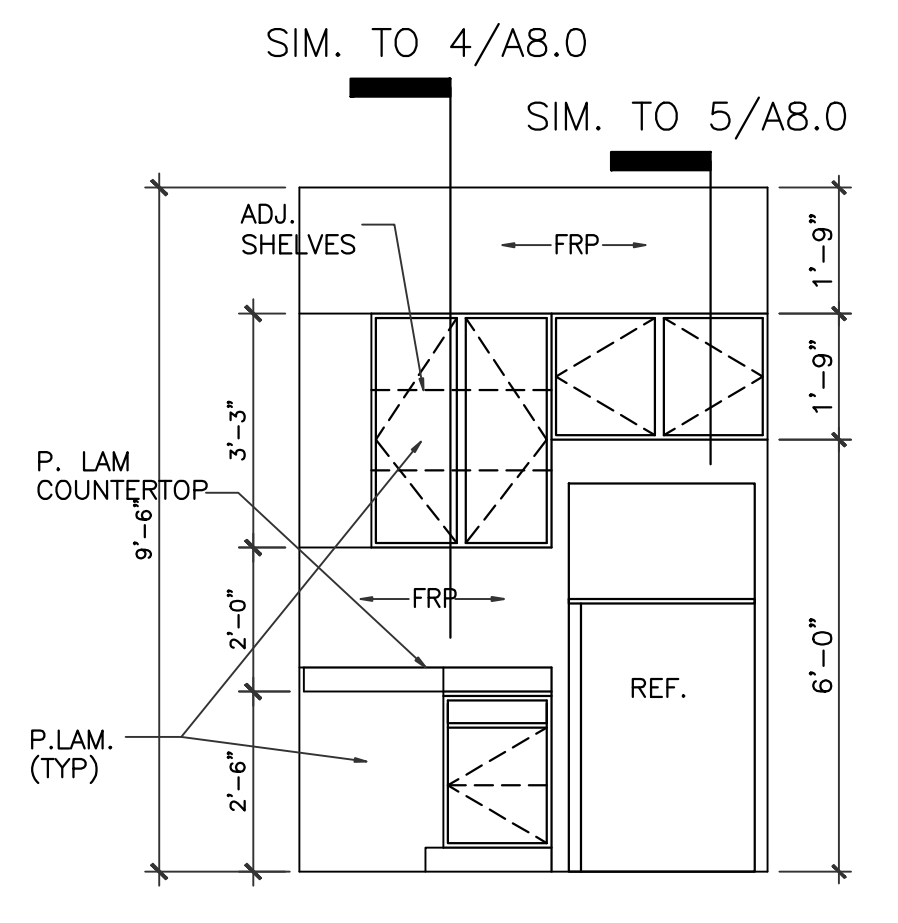
11 MILLWORK ELEVATION-RECEPTION
 3/8" = 1'-0"



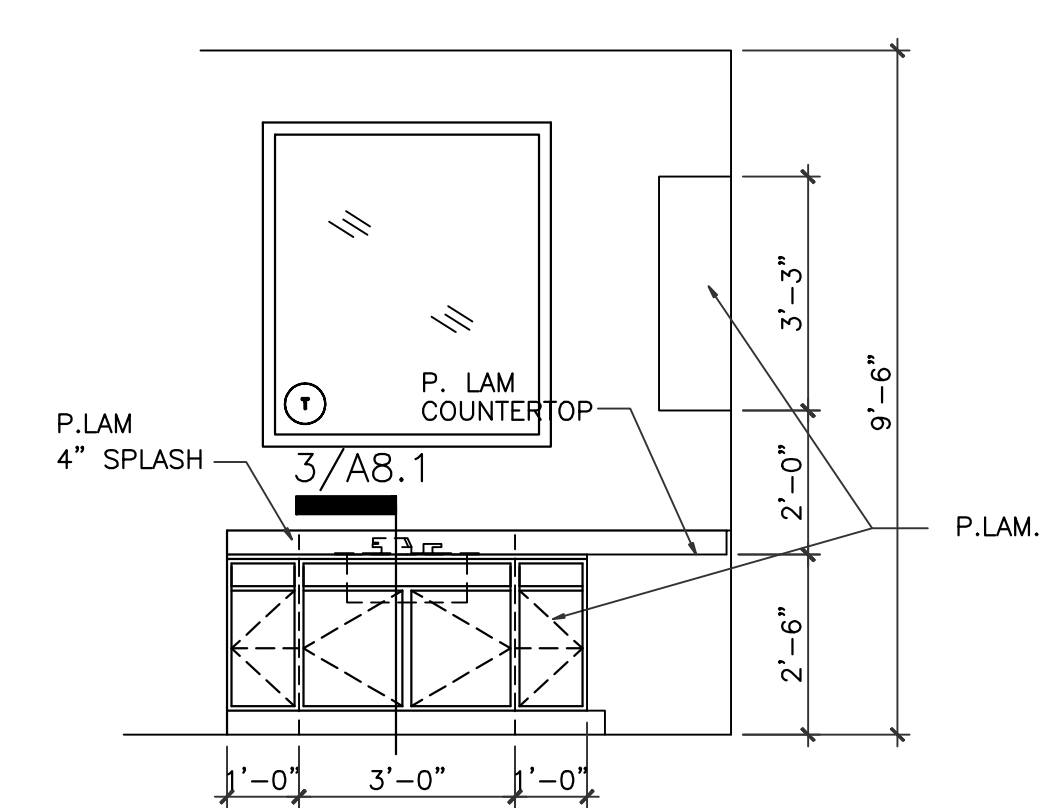
10 MILLWORK ELEVATION-RECEPTION
 3/8" = 1'-0"



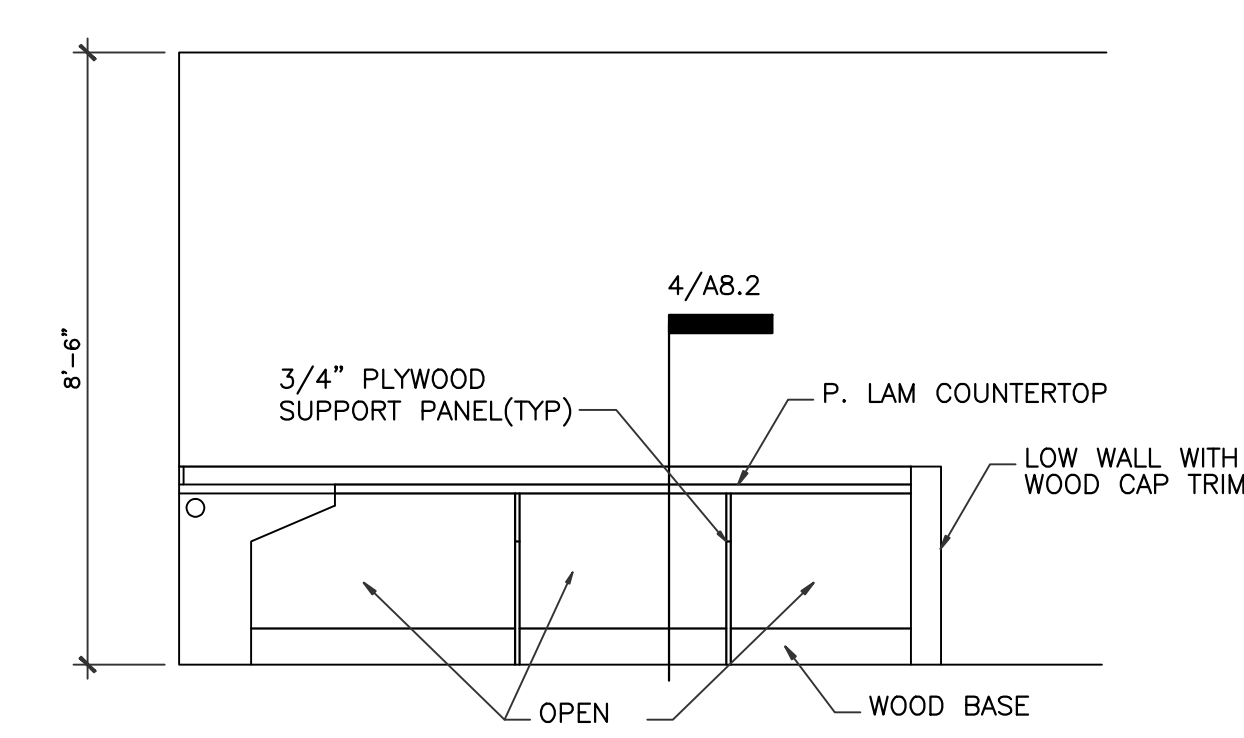
12 MILLWORK ELEVATION-RECEPTION
 3/8" = 1'-0"



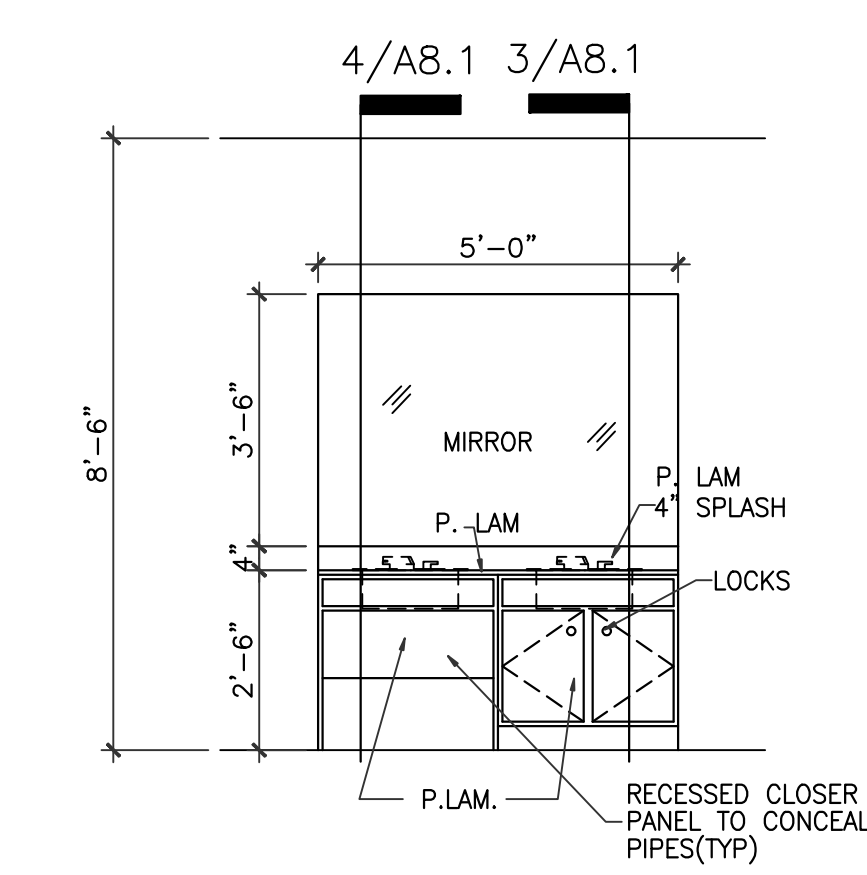
13 MILLWORK ELEVATION-ACTIVITY
 3/8" = 1'-0"



14 MILLWORK ELEVATION-ACTIVITY
 3/8" = 1'-0"



15 MILLWORK ELEVATION-LIBRARY/COMP.
 3/8" = 1'-0"



16 MILLWORK ELEVATION
 3/8" = 1'-0"
 CLASSROOM #400
 CLASSROOM #450
 CLASSROOM #500
 CLASSROOM #550
 ACTIVITY ROOM

IVY KIDS EARLY LEARNING CENTER
 LOT COM2I
 CROSS CREEK RANCH
 6407 CROSS CREEK BEND LANE
 FULSHEAR, TX 77441



DRAWING TITLE	
MILLWORK ELEVATIONS	
DRAWN BY	CHECKED BY
DATE	JOB NO.
DRAWING NO.	

A-7.0