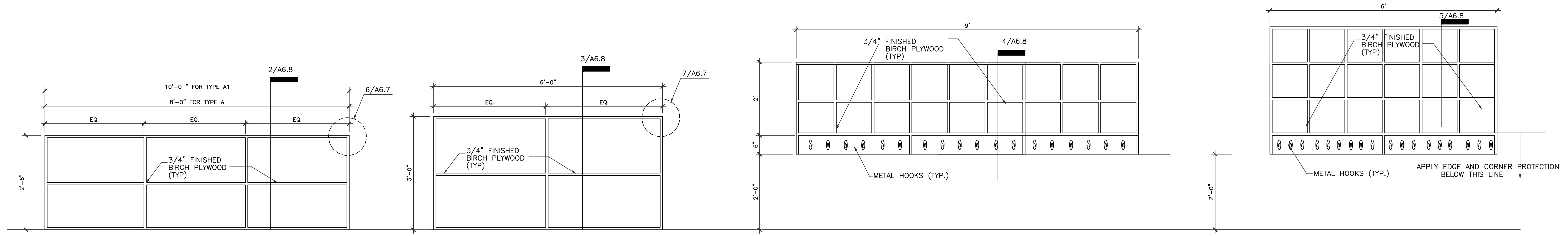
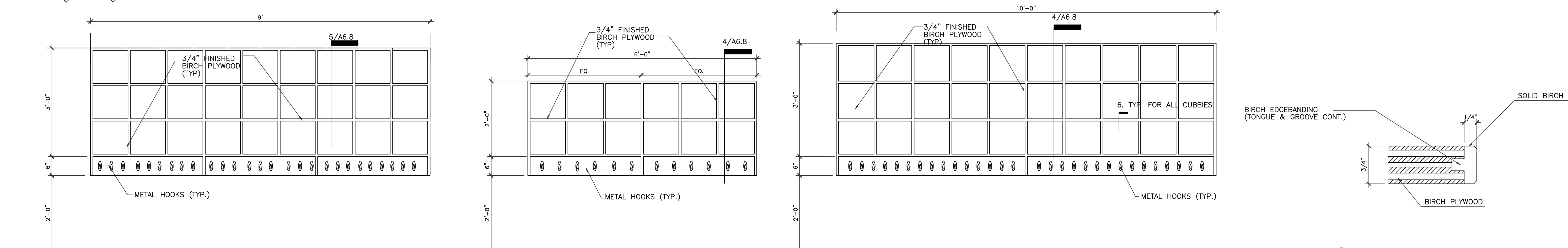


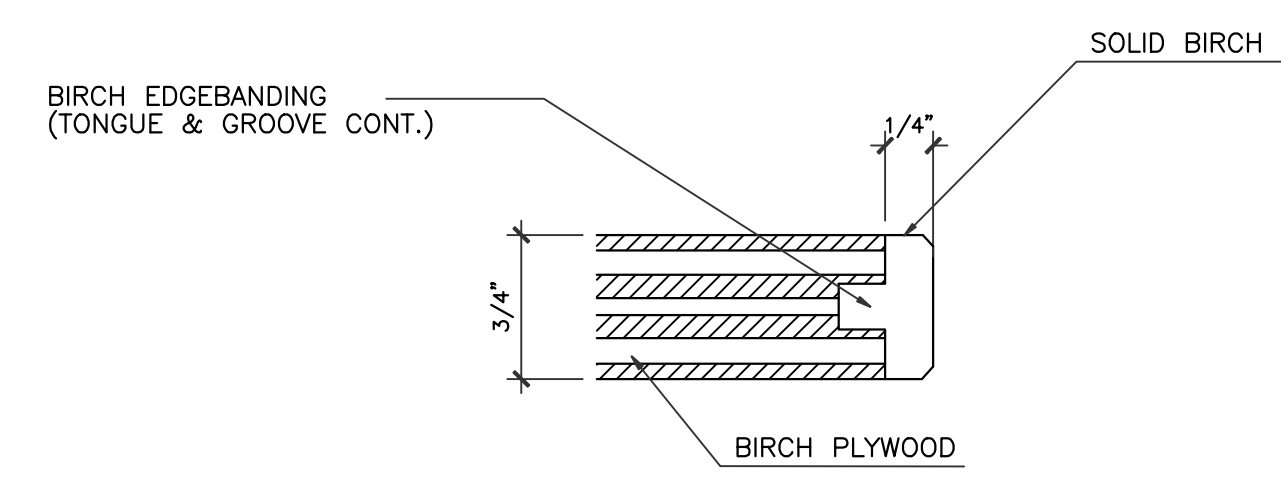
REVISIONS AND ISSUANCE		
NO.	DATE	DESCRIPTION
1	04152019	PRICING PERMIT
2	06202019	



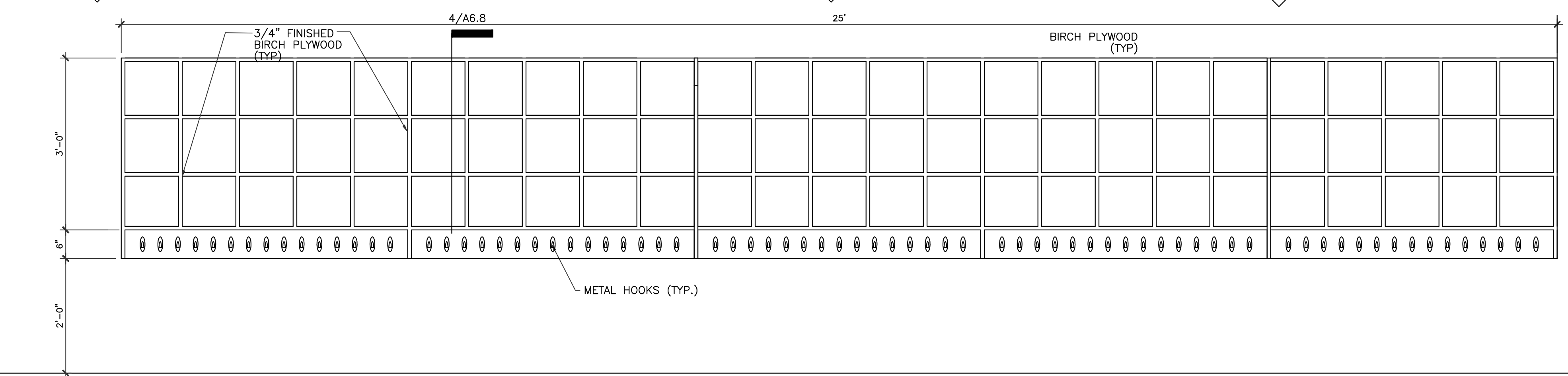
**A** **A1** **MILWORK-TOYSHELF**      **B** **MILWORK-TOYSHELF**      **C** **MILWORK-CUBBIE**      **D** **MILWORK-CUBBIE**



**E** **MILWORK-CUBBIE**      **F** **MILWORK-CUBBIE**      **G** **MILWORK-CUBBIE**

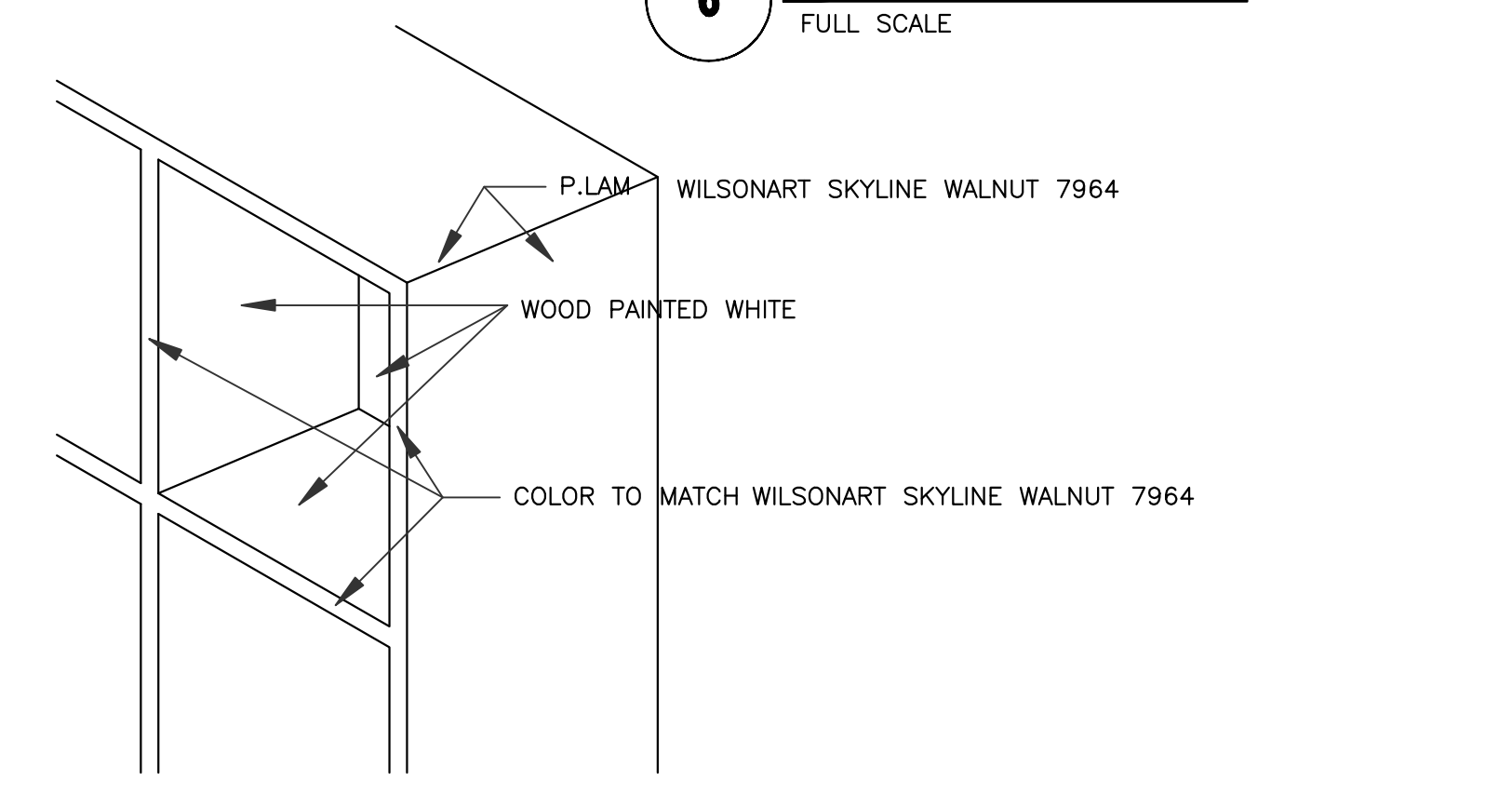


**6** **EDGEBANDING DETAIL**  
FULL SCALE



**H** **MILWORK-CUBBIE**

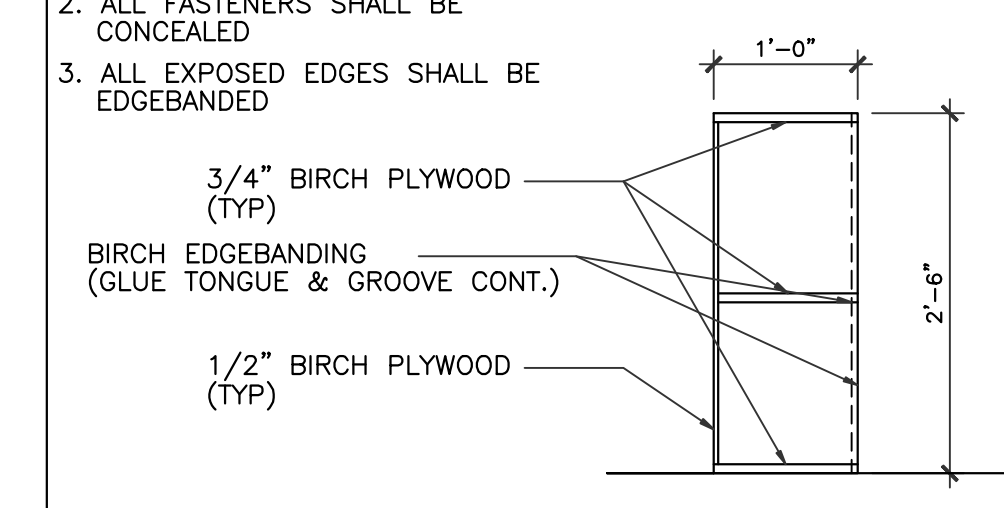
VIEW 7



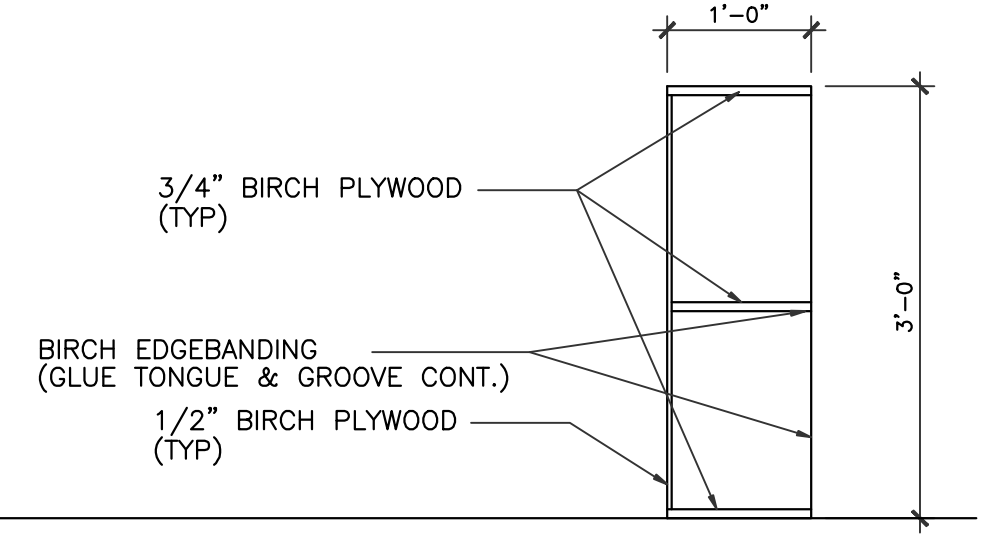
**7** **FINISH DETAIL FOR ALL CUBBIES**

all interior face of cubbies shall be white. color of edge banding to match p.lam

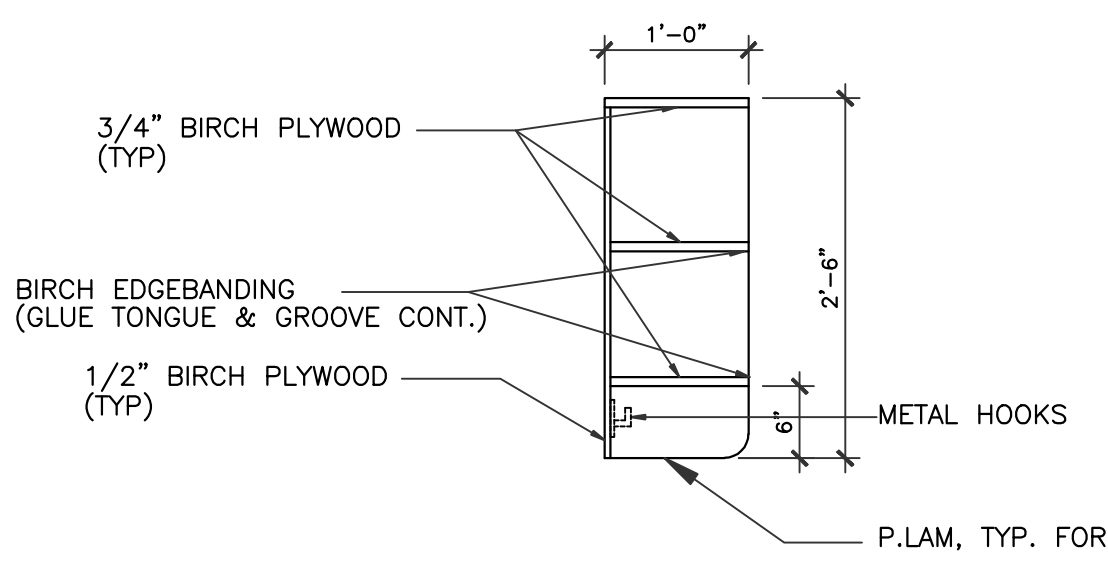
- NOTES:
1. ALL JOINTS SHALL BE RABBITED/ DADOED AND GLUED
  2. ALL FASTENERS SHALL BE CONCEALED
  3. ALL EXPOSED EDGES SHALL BE EDGEBANDED



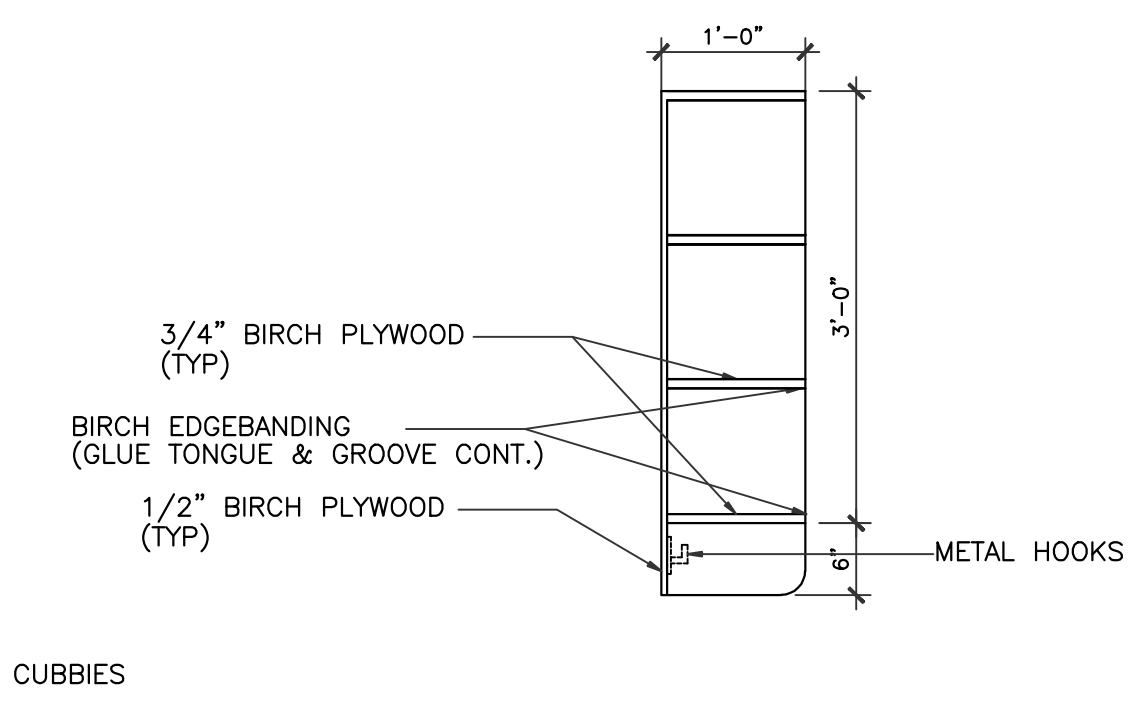
**2** **TOY SHELF SECTION**  
3/4" = 1'-0"



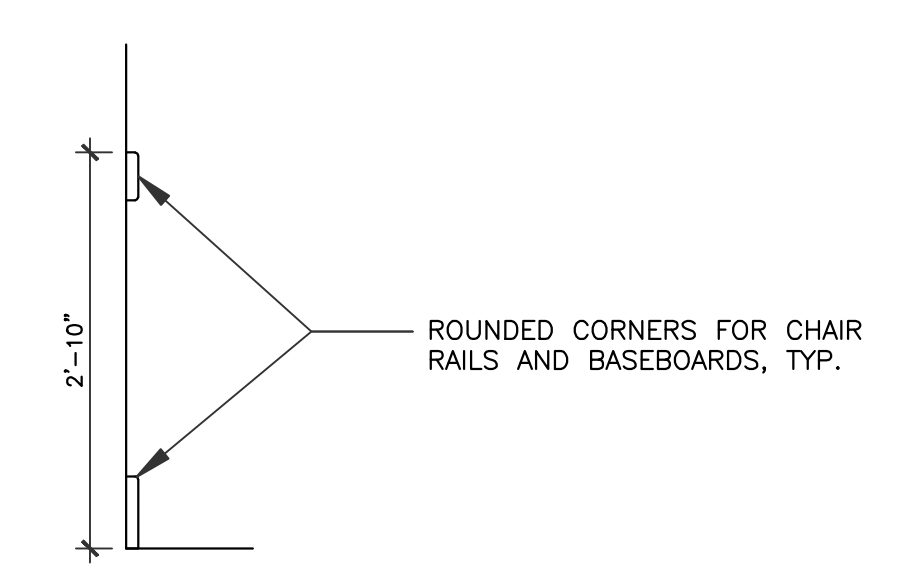
**3** **TOY SHELF SECTION**  
3/4" = 1'-0"



**4** **CUBBIE SECTION**  
3/4" = 1'-0"



**5** **CUBBIE SECTION**  
3/4" = 1'-0"



**8** **CHAIR RAIL AND BASEBOARD DETAIL**  
3/4" = 1'-0"

**IVY KIDS EARLY LEARNING CENTER**  
LOT COM2I  
CROSS CREEK RANCH  
6407 CROSS CREEK BEND LANE  
FULSHEAR, TX 77441



DRAWING TITLE	
<b>CUBBIES &amp; TOY SHELVES</b>	
DRAWN BY	CHECKED BY
DATE	JOB NO.
09/20/2018	fulshear
DRAWING NO.	
<b>A-6.8</b>	