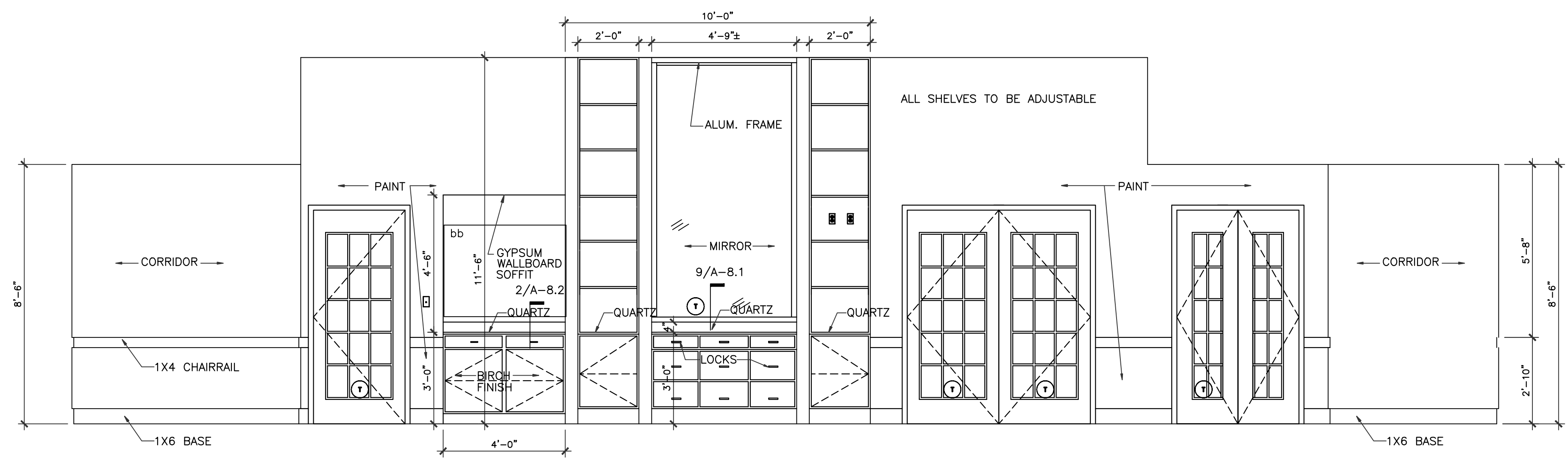


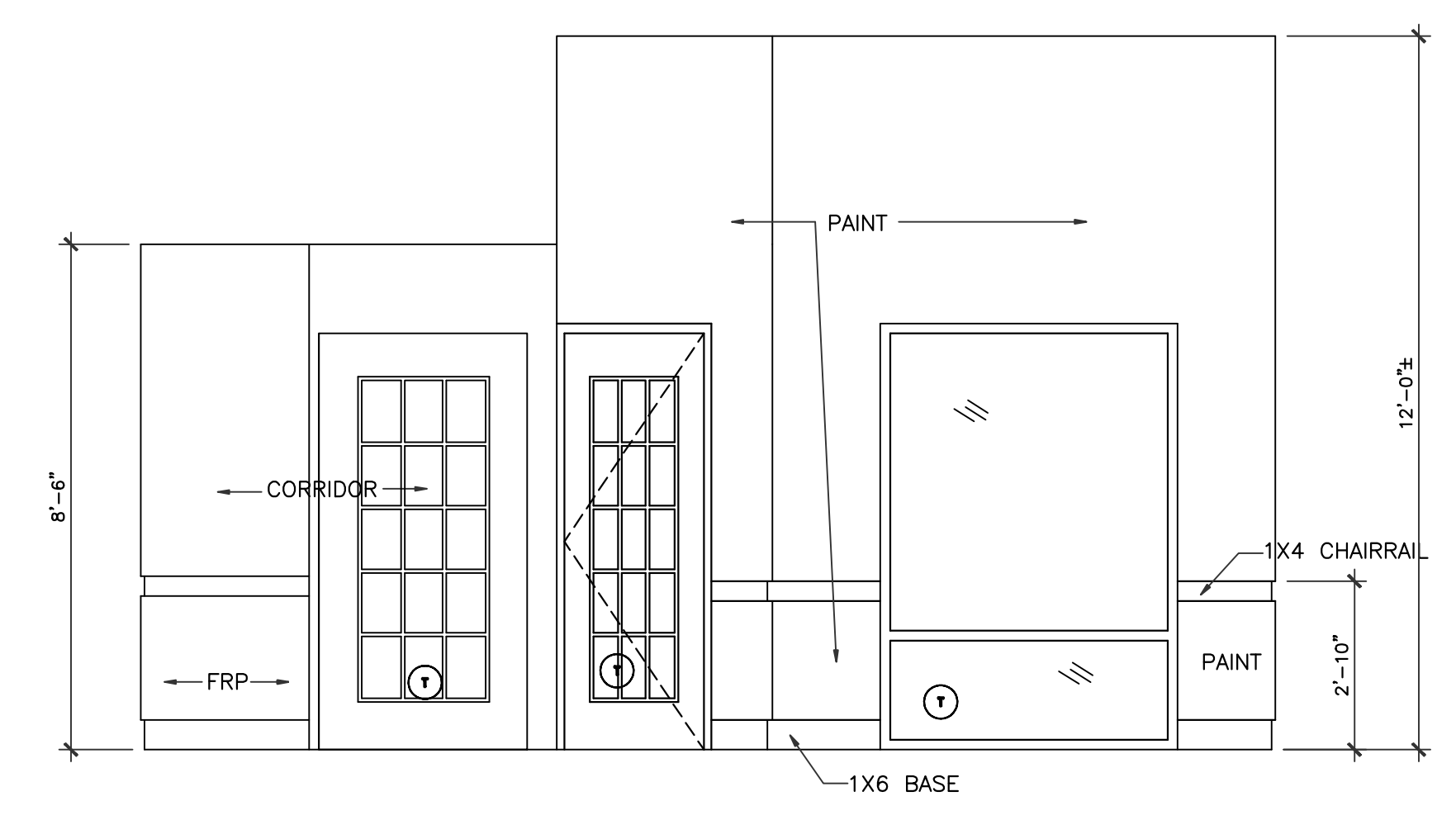
REVISIONS AND ISSUANCE		
NO.	DATE	DESCRIPTION
1	04152019	PRICING
2	06202019	PERMIT



**1 LOBBY ELEVATION**  
3/8" = 1'-0"

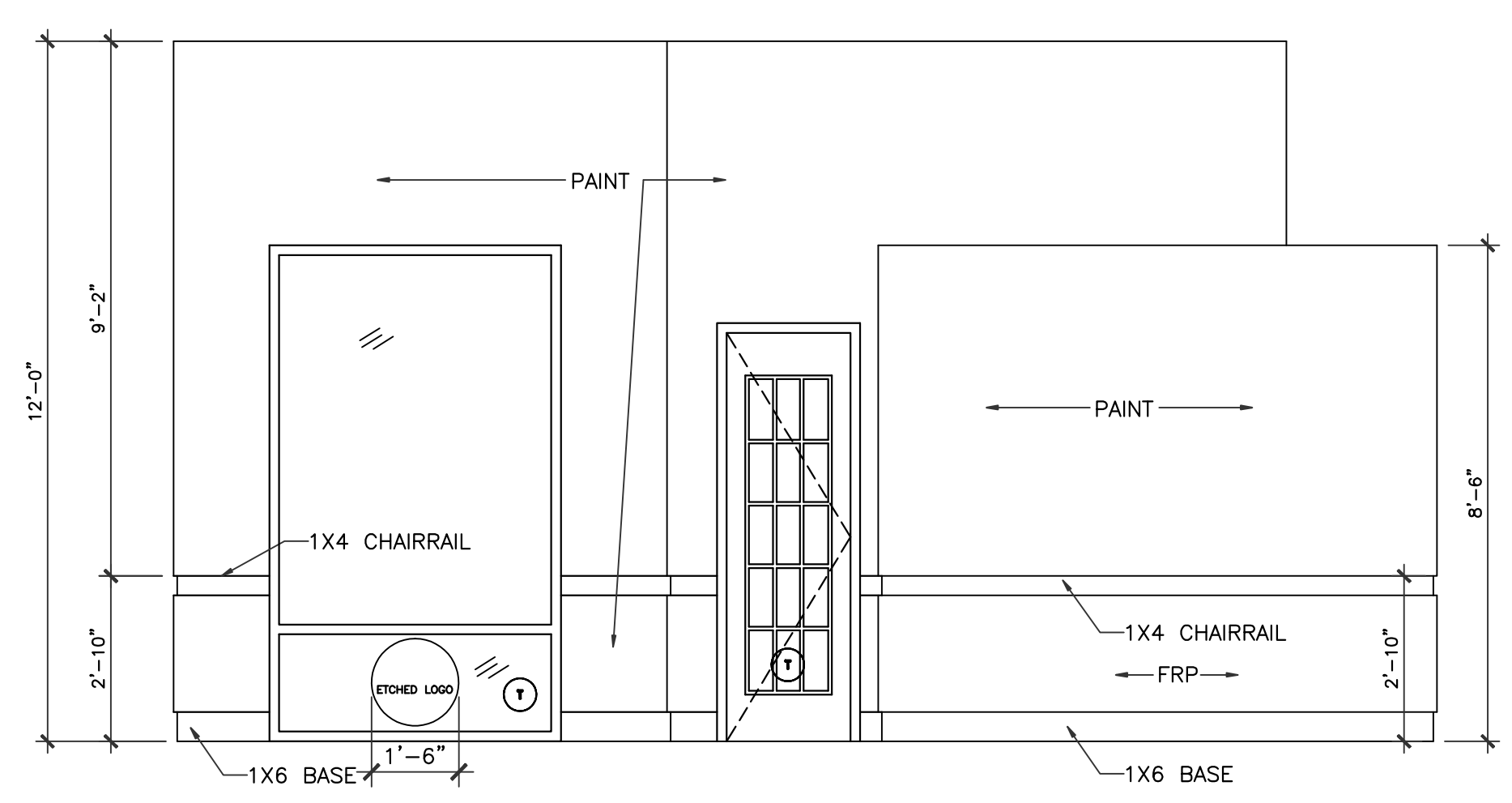
ALL DRAWERS TO BE LEGAL SIZE ( INCLUDES THOSE AT THE DESK )

LEGEND  
bb Bulletin Board

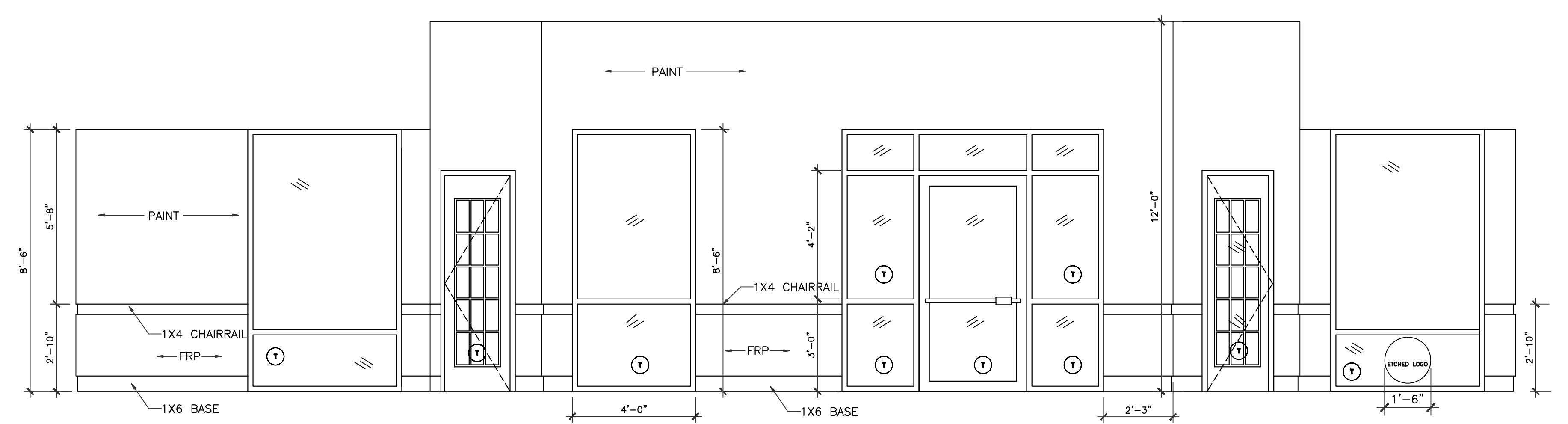


**2 LOBBY ELEVATION**  
3/8" = 1'-0"

ALL MIRROR OF THIS PROJECT SHALL HAVE TYPE 430 STAINLESS STEEL FRAME

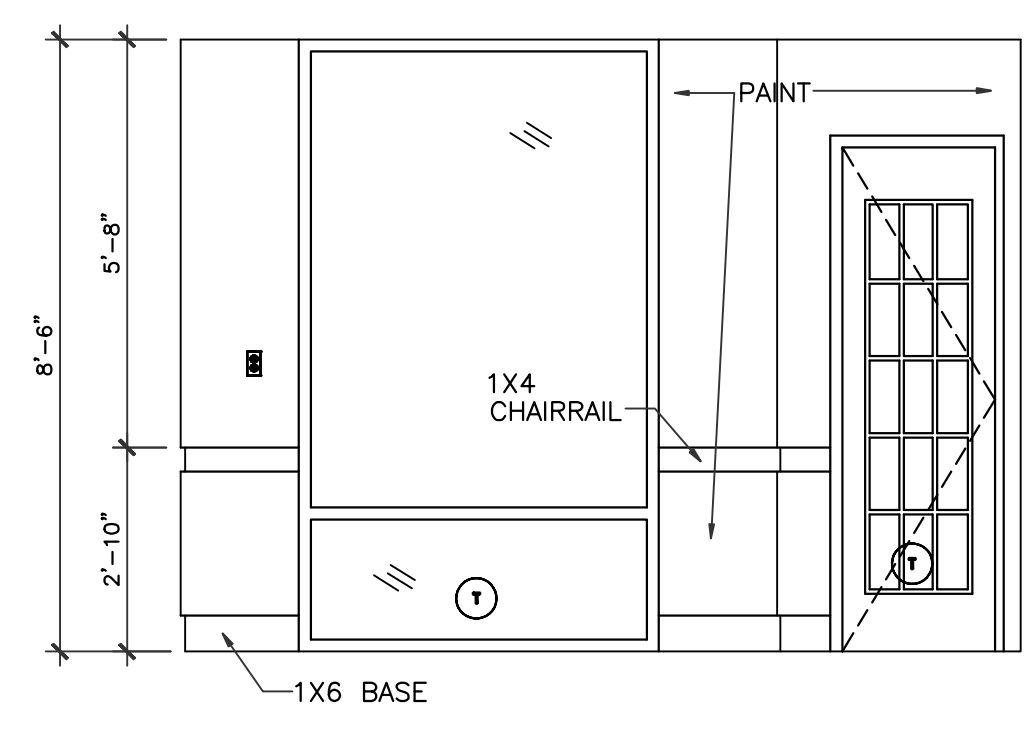


**3 LOBBY ELEVATION**  
3/8" = 1'-0"

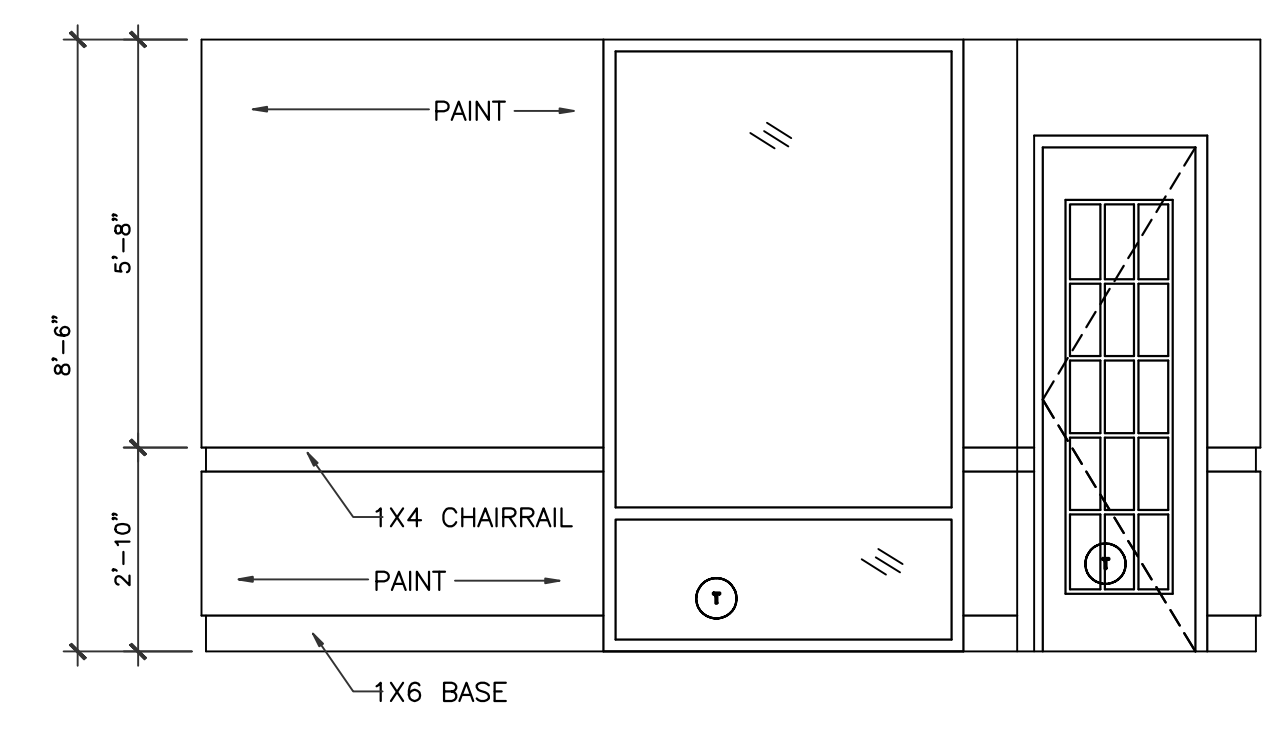


**4 LOBBY ELEVATION**  
3/8" = 1'-0"

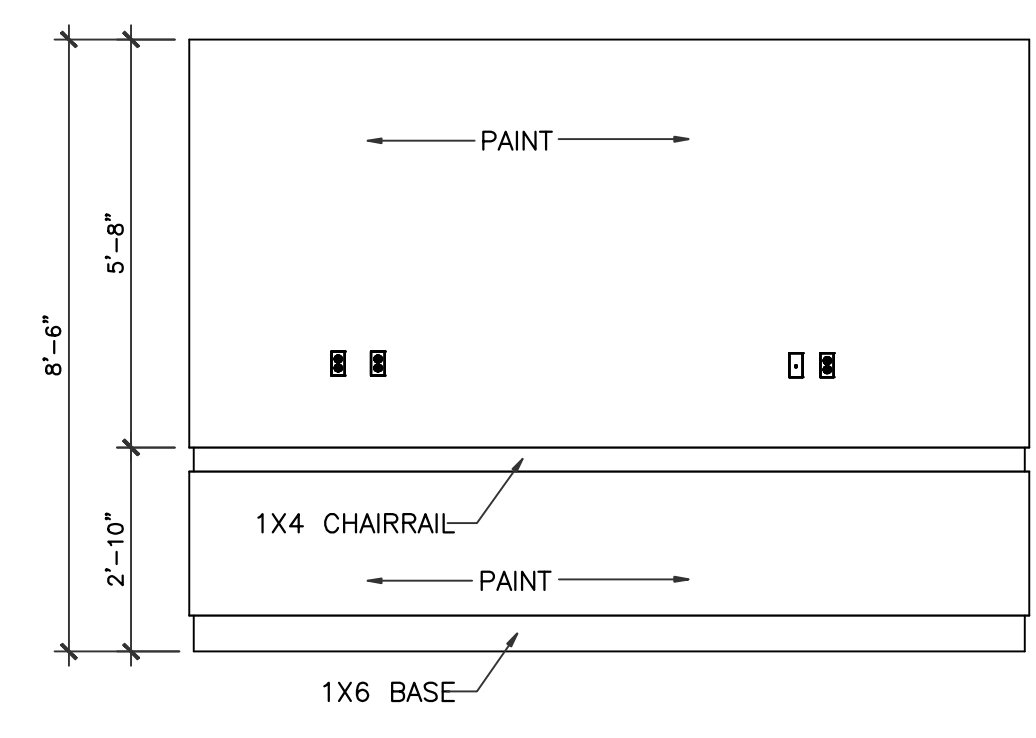
• PROVIDE 2,250 TOTAL L/F OF STAIN GRADE CHAIR RAIL & BASE THROUGHOUT INSTEAD OF PAINT GRADE



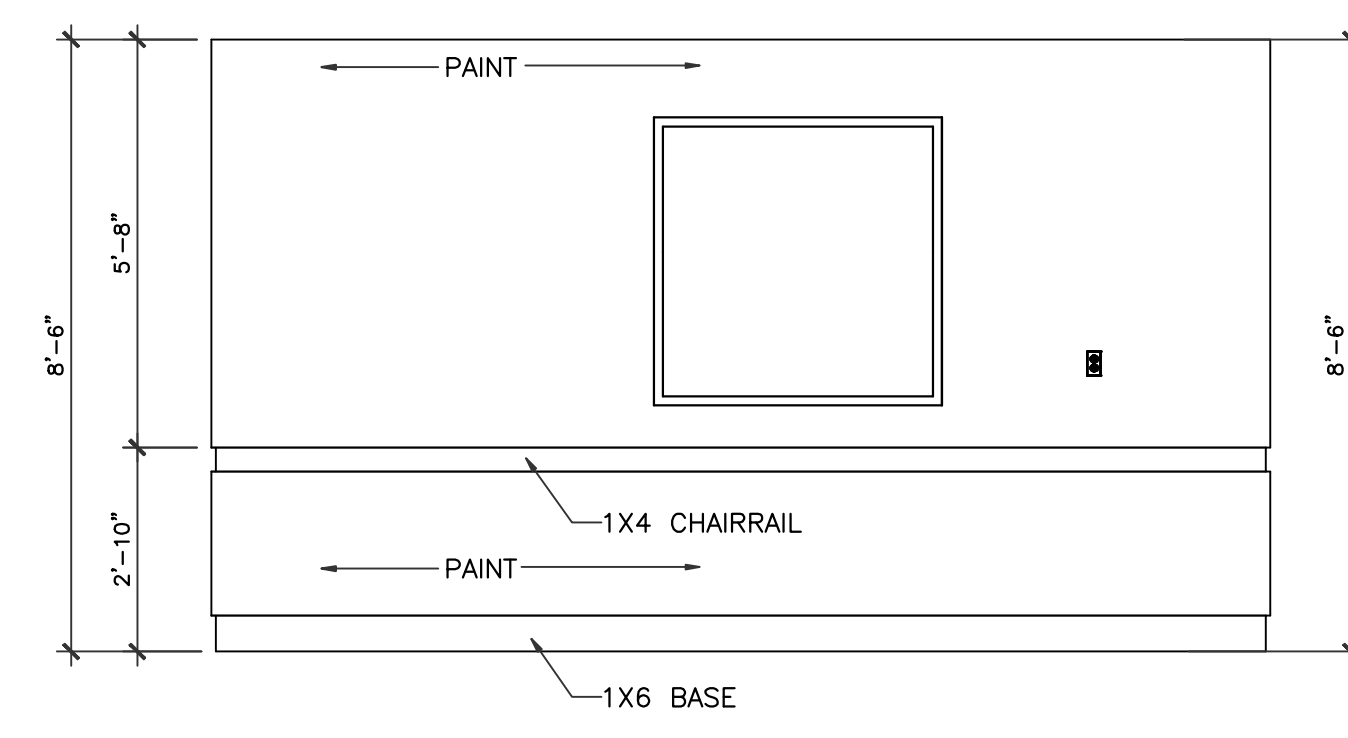
**5 OFFICE ELEVATION**  
3/8" = 1'-0"



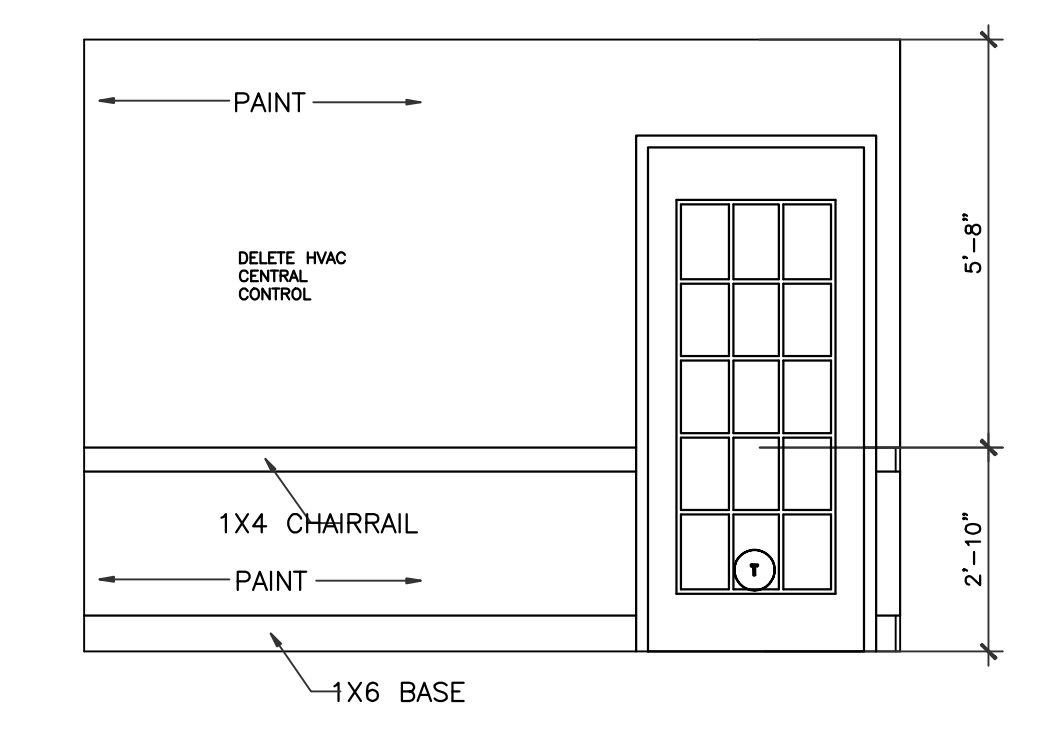
**6 OFFICE ELEVATION**  
3/8" = 1'-0"



**7 OFFICE ELEVATION**  
3/8" = 1'-0"



**8 OFFICE ELEVATION**  
3/8" = 1'-0"



**9 DIRECTOR'S OFFICE ELEVATION**  
3/8" = 1'-0"

**IVY KIDS EARLY LEARNING CENTER**  
LOT COM2I  
CROSS CREEK RANCH  
6407 CROSS CREEK BEND LANE  
FULSHEAR, TX 77441



DRAWING TITLE	
<b>INTERIOR ELEVATIONS</b>	
DRAWN BY	CHECKED BY
DATE	JOB NO.
DRAWING NO.	

**A-6.5**