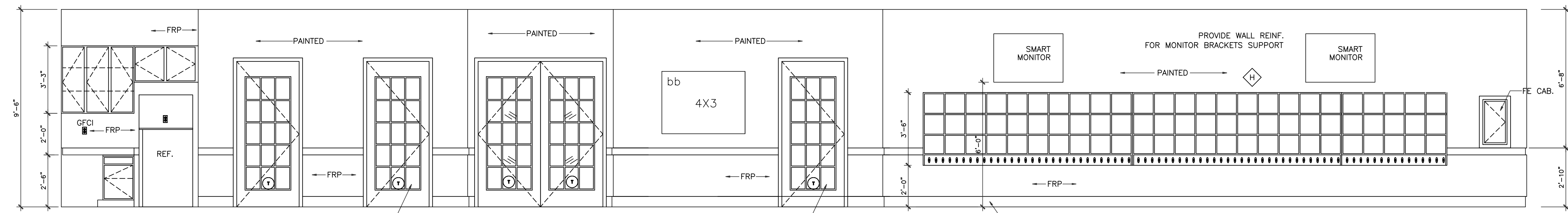
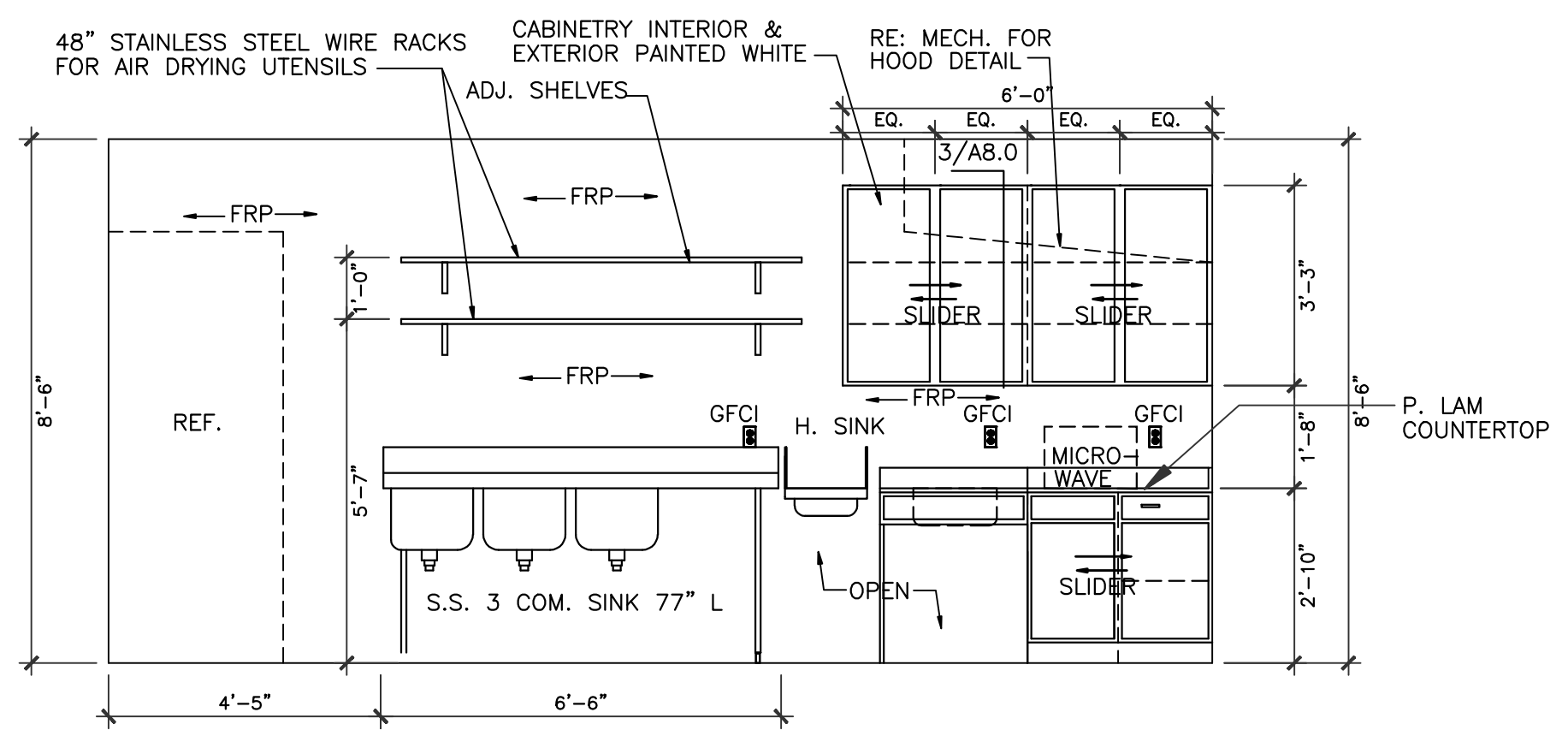


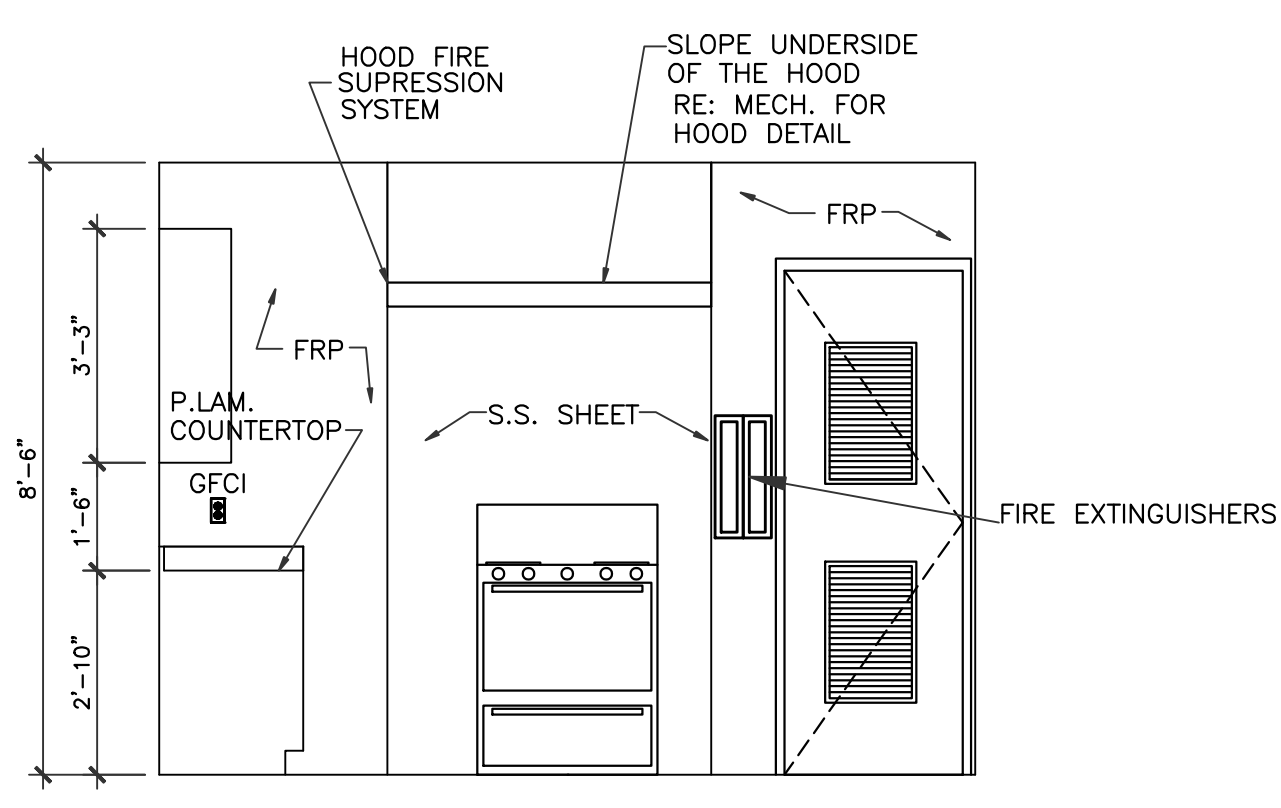
REVISIONS AND ISSUANCE		
NO.	DATE	DESCRIPTION
1	04152019	PRICING PERMIT
2	06202019	



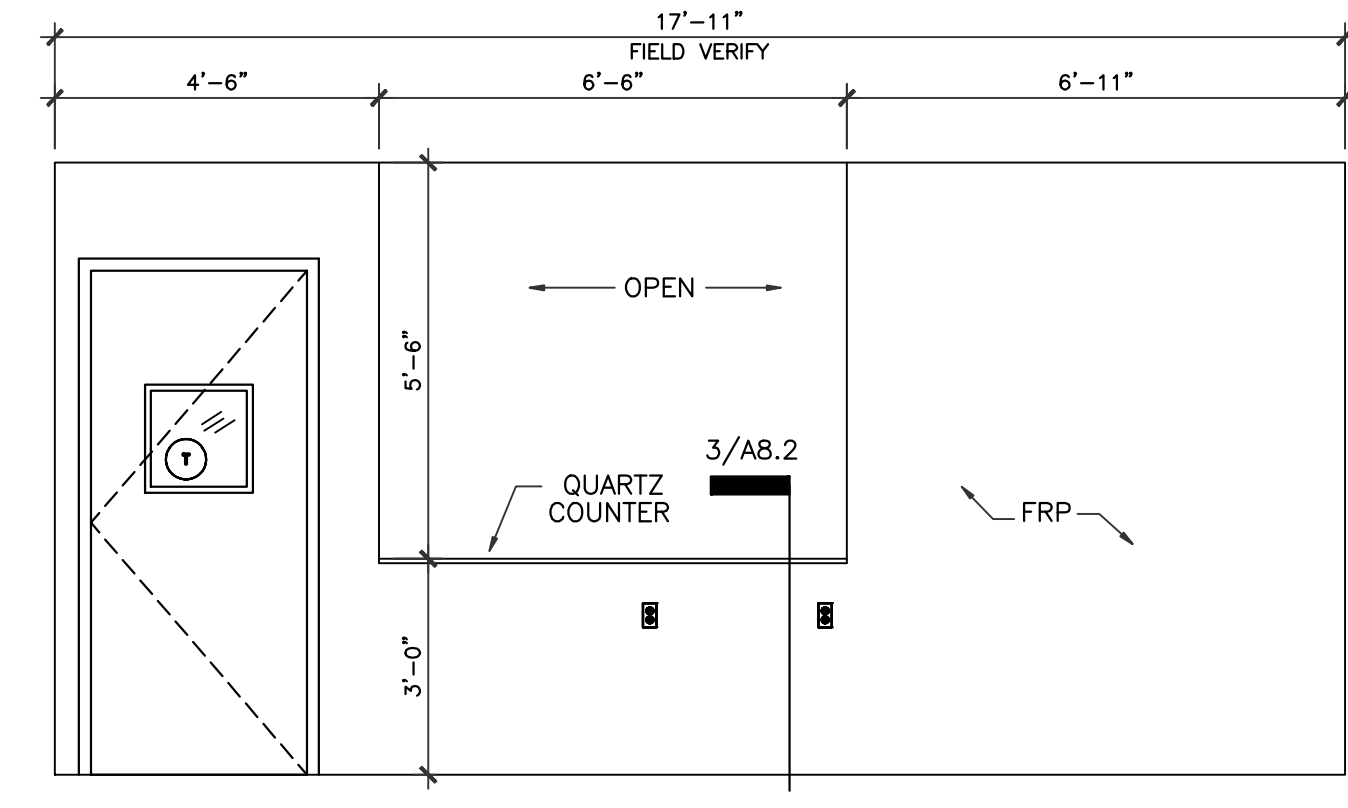
**1 KITCHEN ELEVATION**  
3/8" = 1'-0"



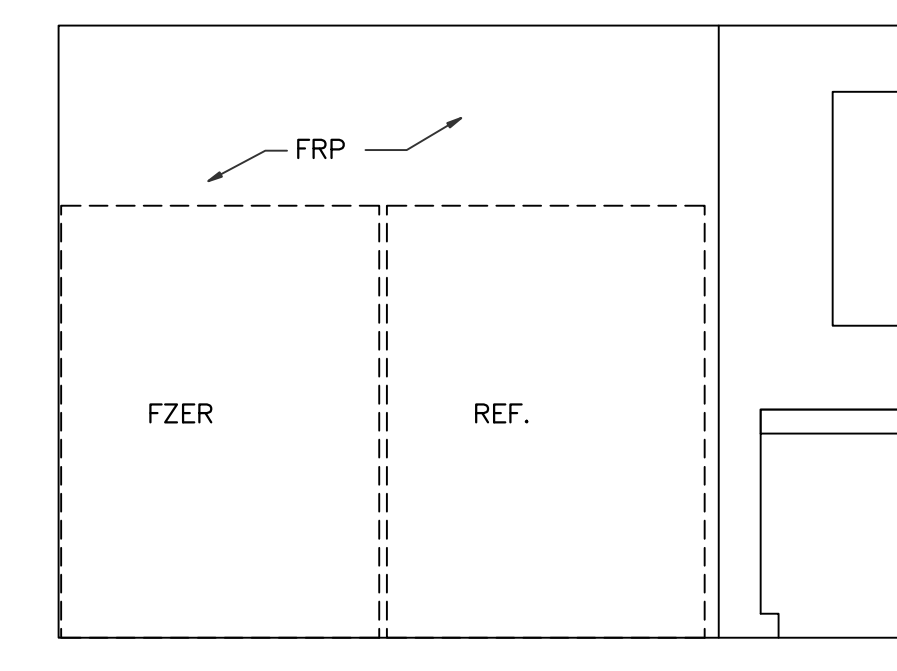
**2 KITCHEN ELEVATION**  
3/8" = 1'-0"



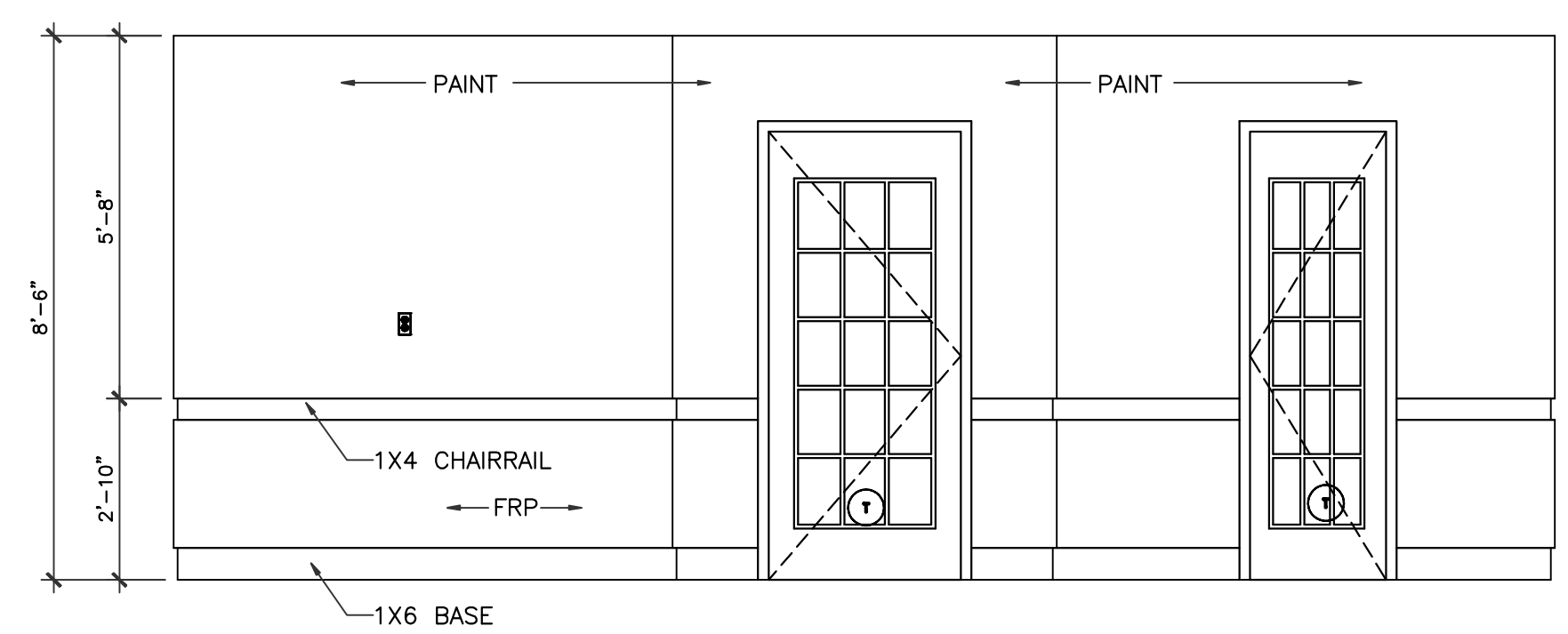
**3 KITCHEN ELEVATION**  
3/8" = 1'-0"



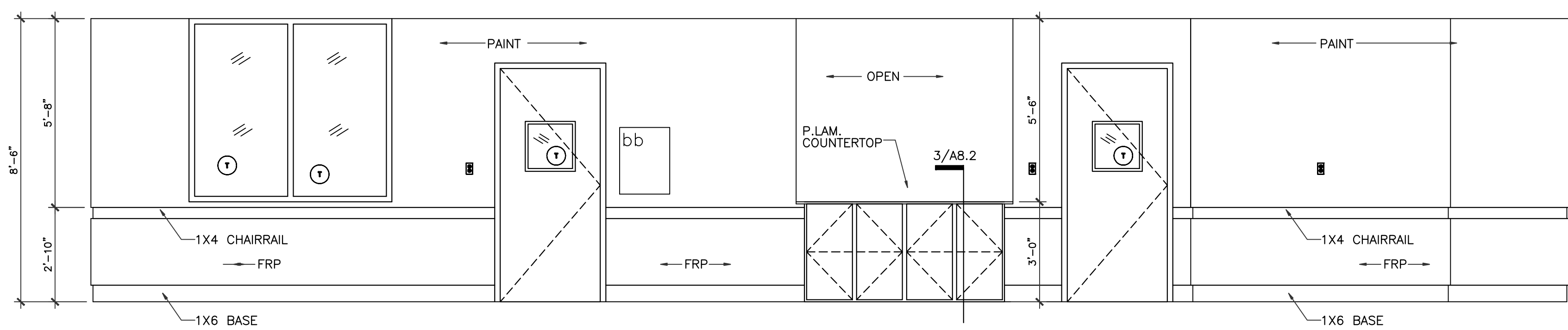
**4 KITCHEN ELEVATION**  
3/8" = 1'-0"



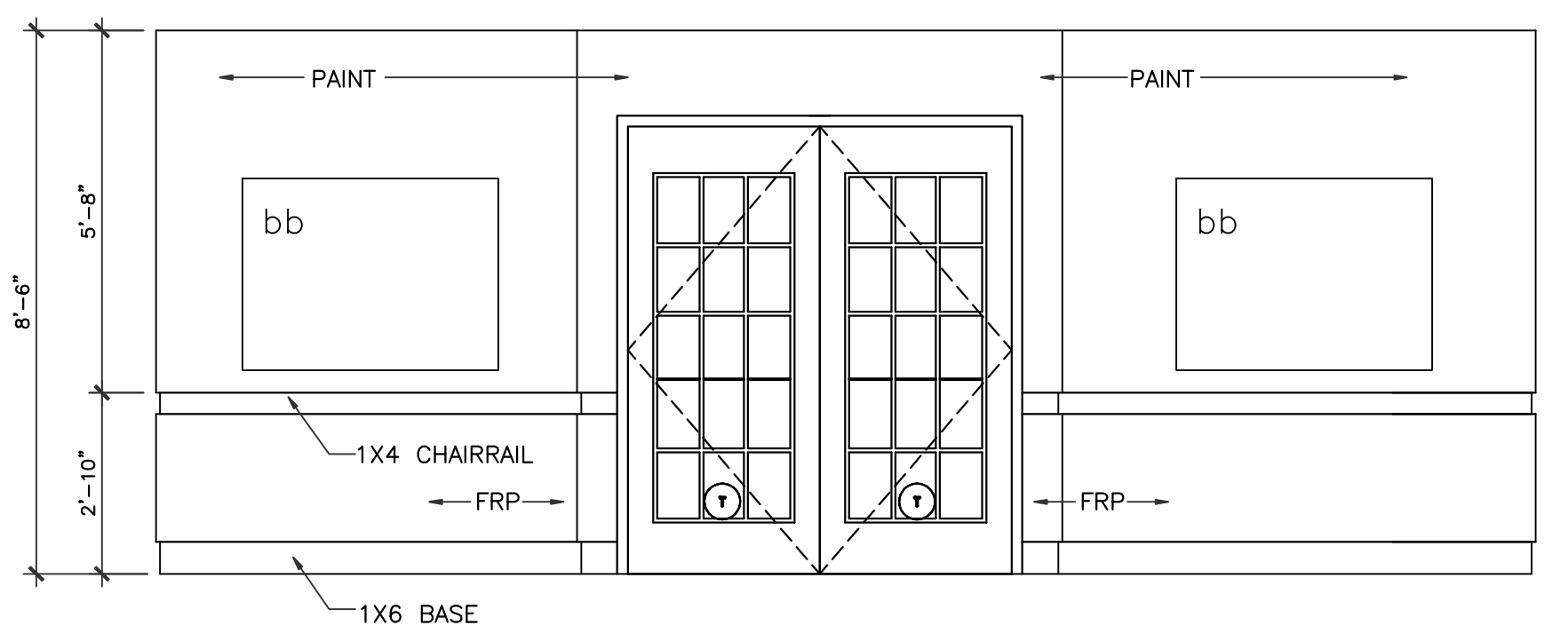
**5 KITCHEN ELEVATION**  
3/8" = 1'-0"



**6 LUNCH ROOM ELEVATION**  
3/8" = 1'-0"

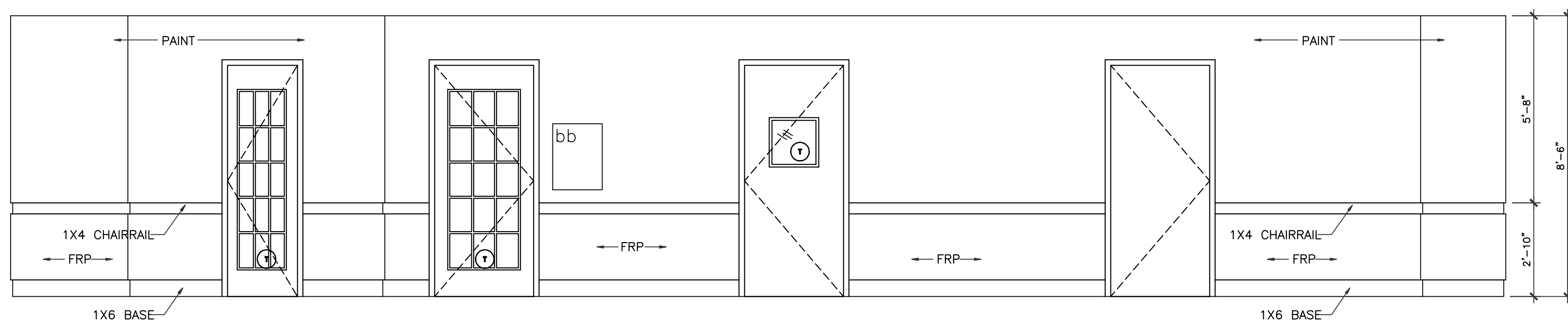


**7 LUNCH ROOM ELEVATION**  
3/8" = 1'-0"



**8 LUNCH ROOM ELEVATION**  
3/8" = 1'-0"

LENGEND  
bb Bulletin Board



**9 LUNCH ROOM ELEVATION**  
3/8" = 1'-0"

• PROVIDE 2,250 TOTAL L/F OF STAIN GRADE CHAIR RAIL & BASE THROUGHOUT INSTEAD OF PAINT GRADE

**MY KIDS EARLY LEARNING CENTER**  
LOT COM2I  
CROSS CREEK RANCH  
6407 CROSS CREEK BEND LANE  
FULSHEAR, TX 77441



DRAWING TITLE	
<b>INTERIOR ELEVATIONS</b>	
DRAWN BY	CHECKED BY
DATE	JOB NO.
DRAWING NO.	

**A-6.4**