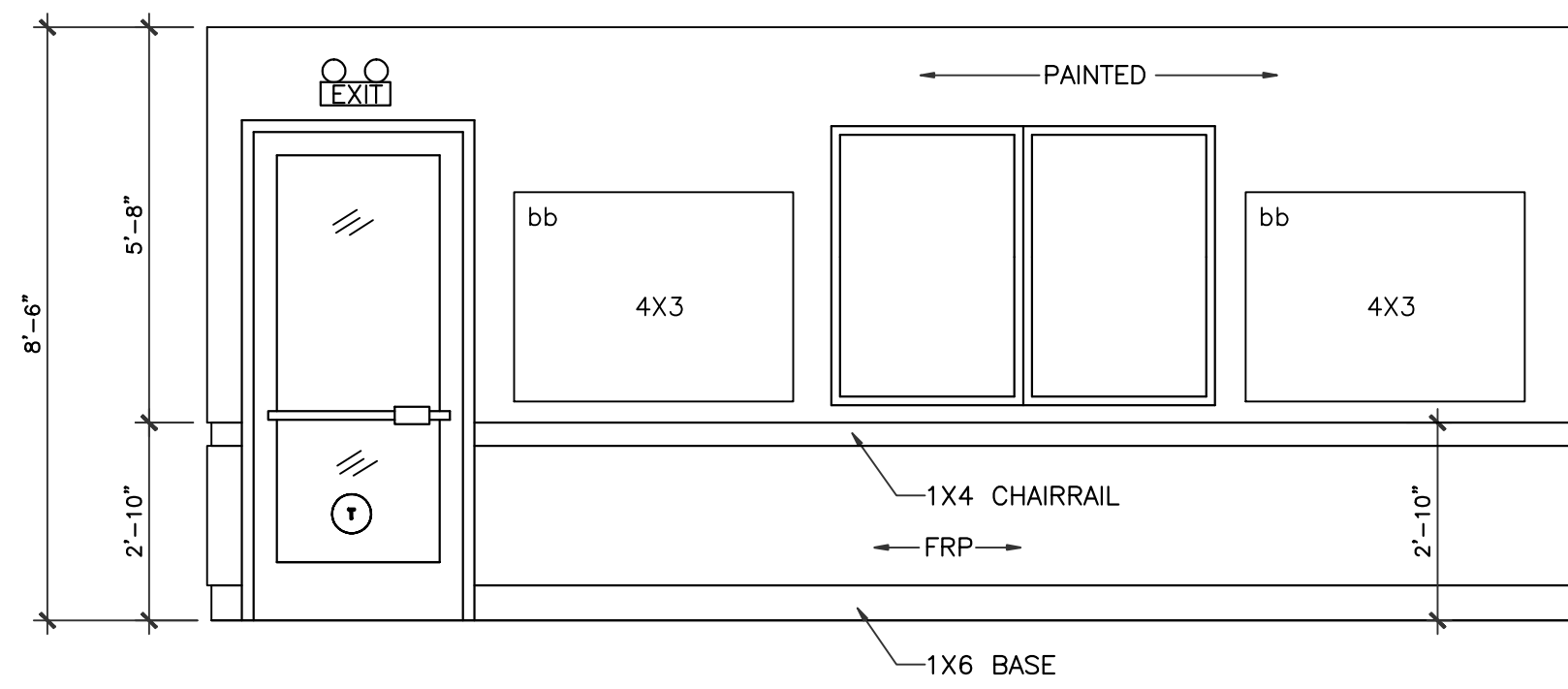


REVISIONS AND ISSUANCE		
NO.	DATE	DESCRIPTION
1	04152019	PRICING
2	06202019	PERMIT



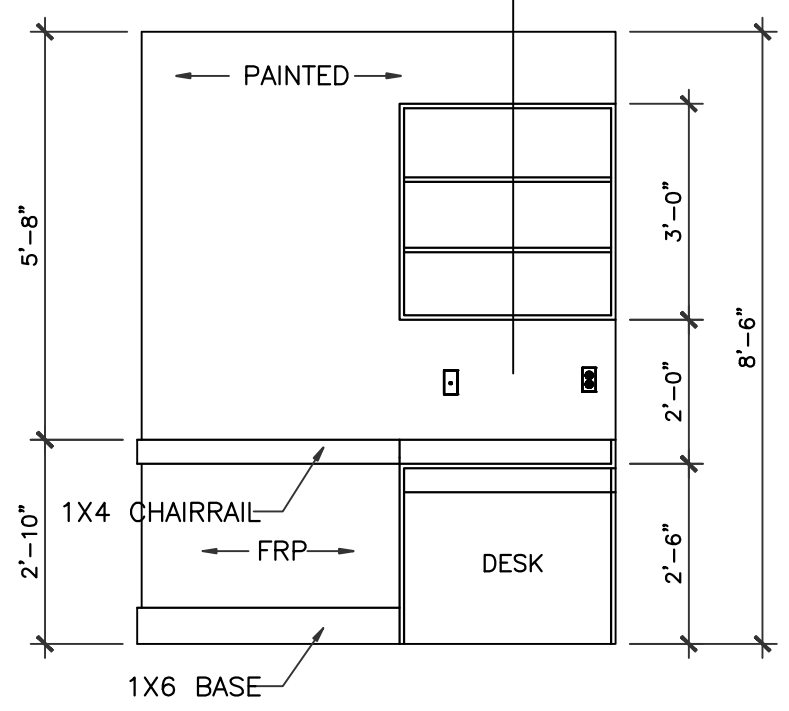
**1 CLASSROOM ELEVATION**

3/8" = 1'-0" 400,450.500

**LEGEND**

bb Bulletin Board

3 / A8.0 (FOR UPPER CABINET ONLY)



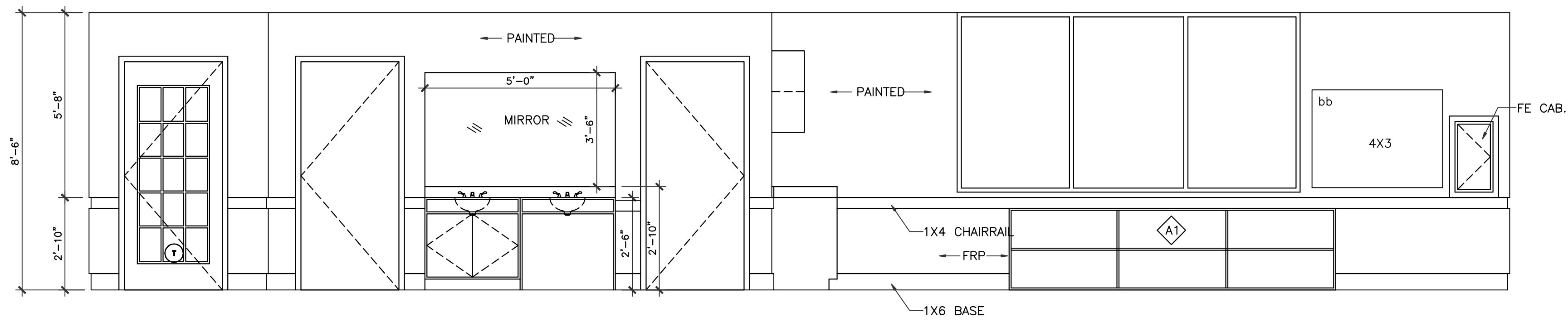
**3 CLASSROOM ELEVATION**

3/8" = 1'-0"

3.5

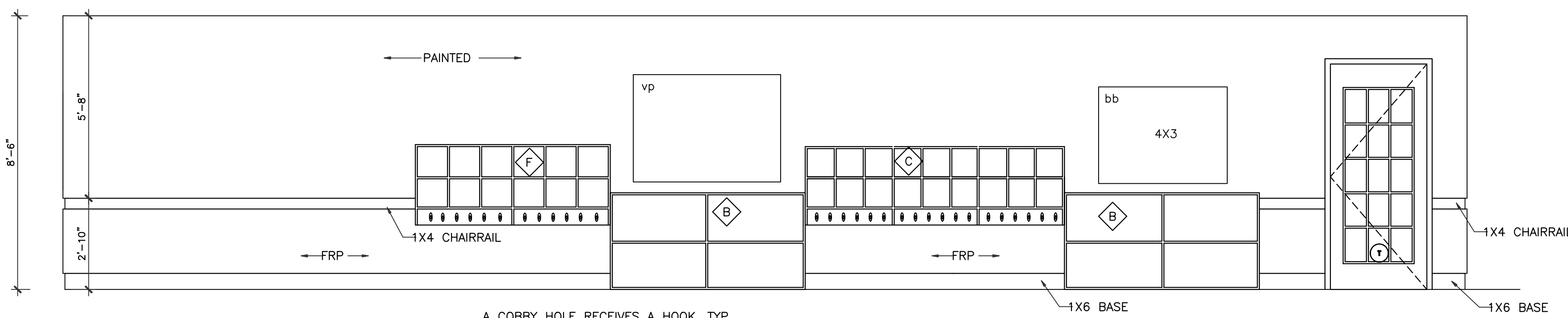
DESK

33'-4"



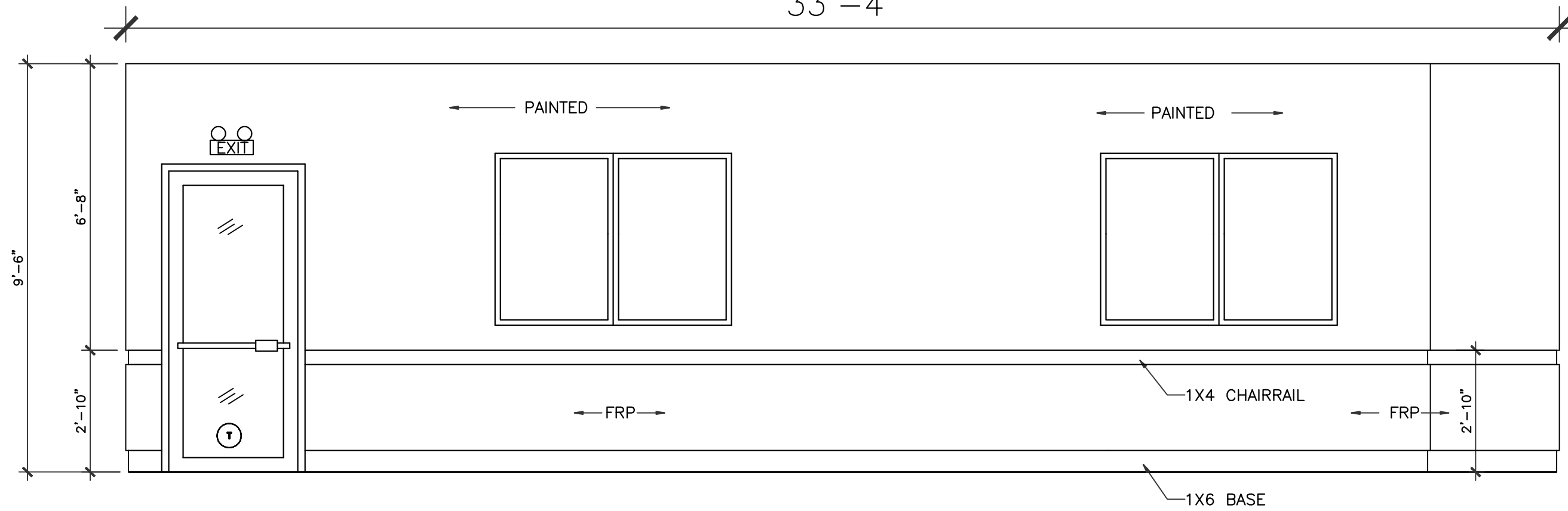
**2 CLASSROOM ELEVATION**

3/8" = 1'-0" 400,450.500



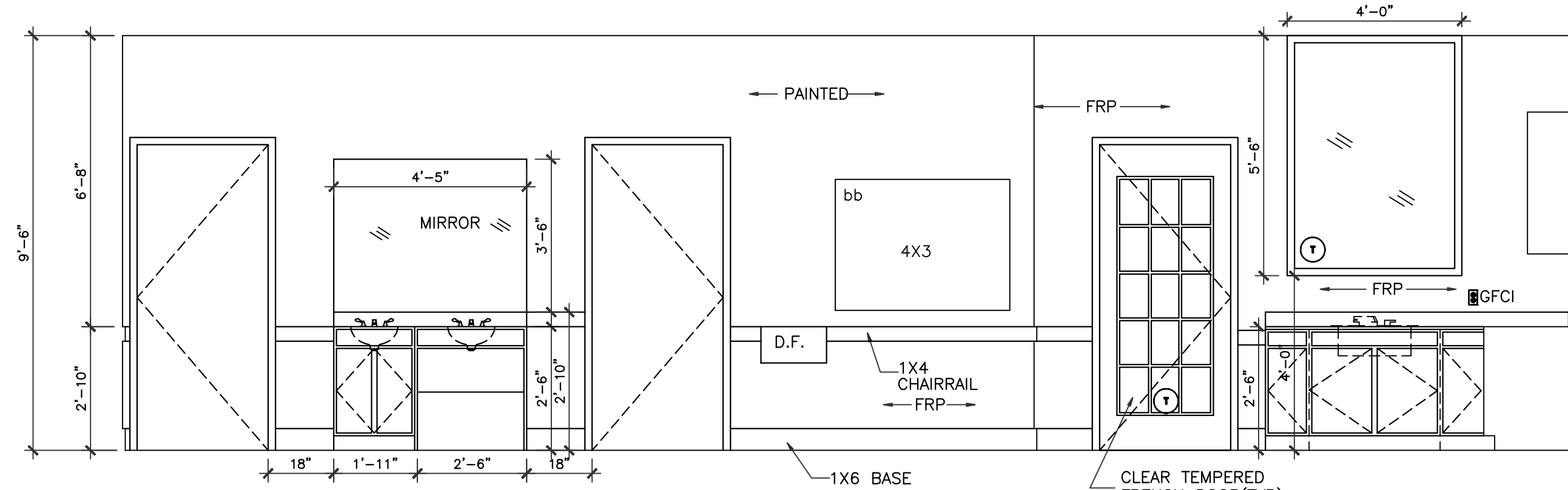
**4 CLASSROOM #400 ELEVATION**

3/8" = 1'-0"



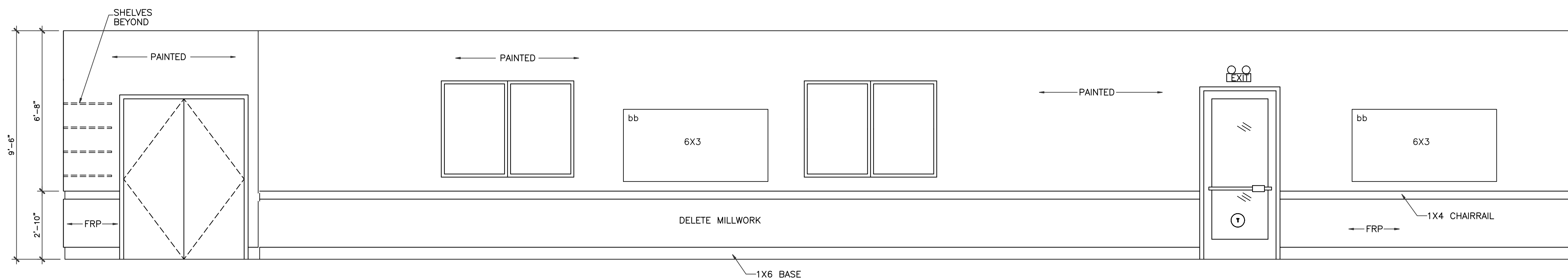
**5 ACTIVITY ROOM ELEVATION**

3/8" = 1'-0"



**6 ACTIVITY ROOM ELEVATION**

3/8" = 1'-0"



**7 ACTIVITY ROOM ELEVATION**

3/8" = 1'-0"

**IVY KIDS EARLY LEARNING CENTER**  
 LOT COM2I  
 CROSS CREEK RANCH  
 6407 CROSS CREEK BEND LANE  
 FULSHEAR, TX 77441



DRAWING TITLE	
<b>INTERIOR ELEVATIONS</b>	
DRAWN BY	CHECKED BY
DATE	JOB NO.
DRAWING NO.	

**A-6.3**