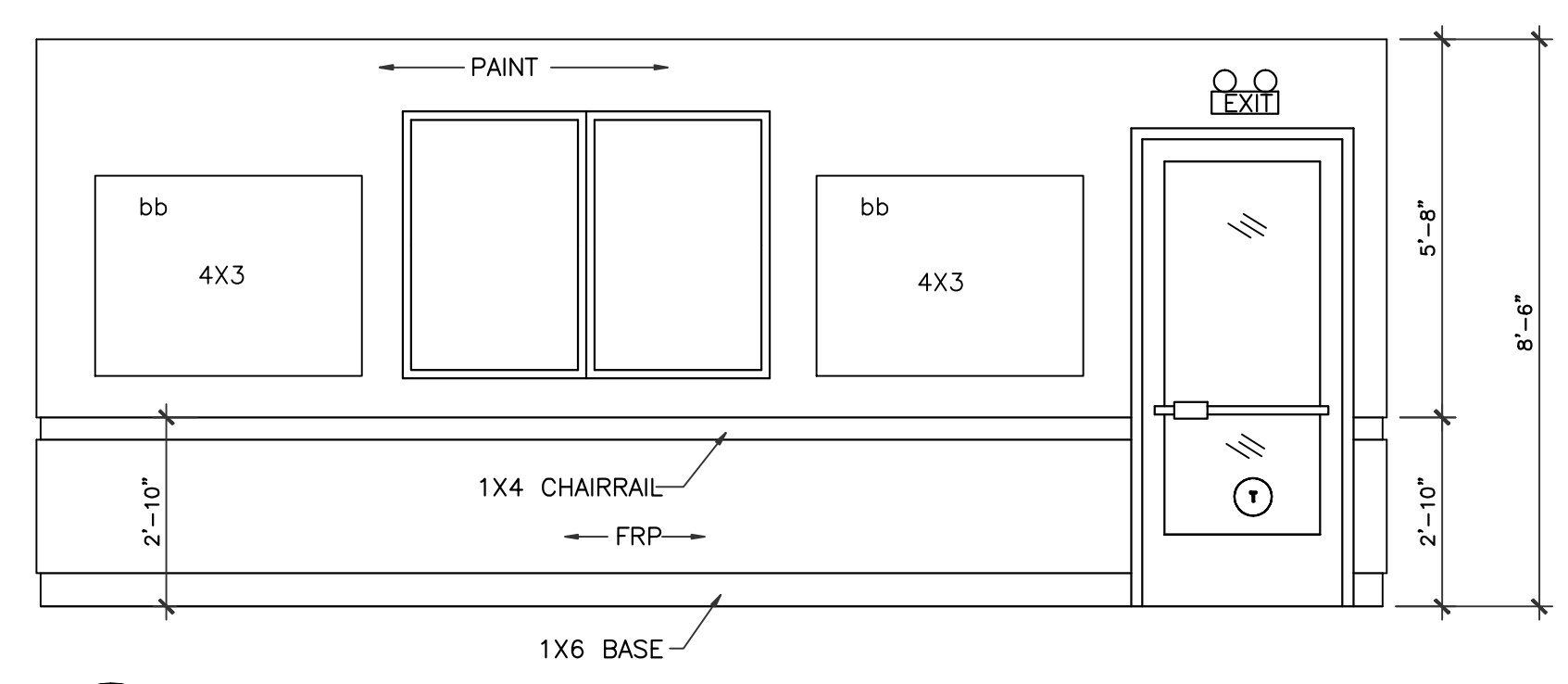
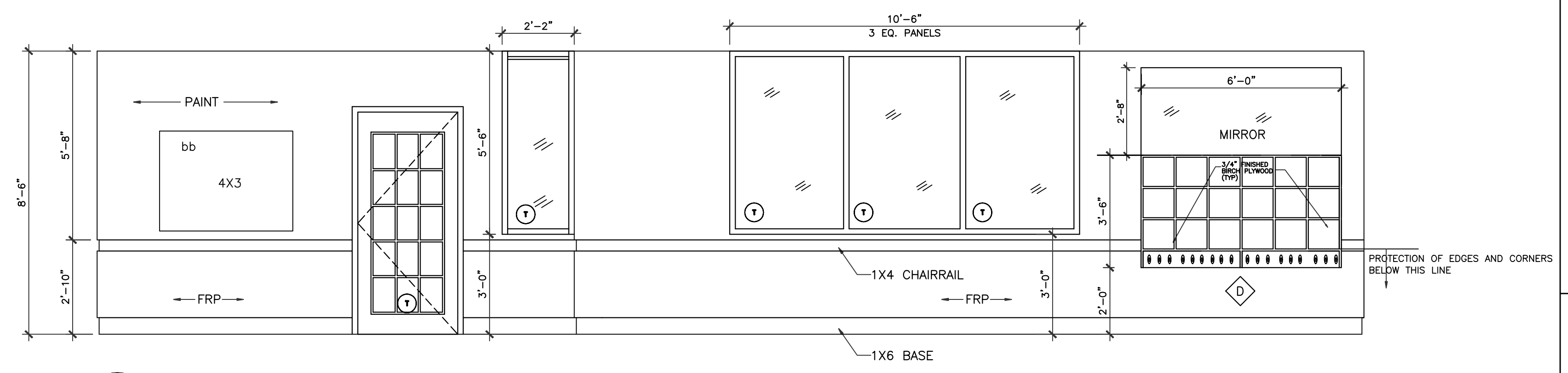


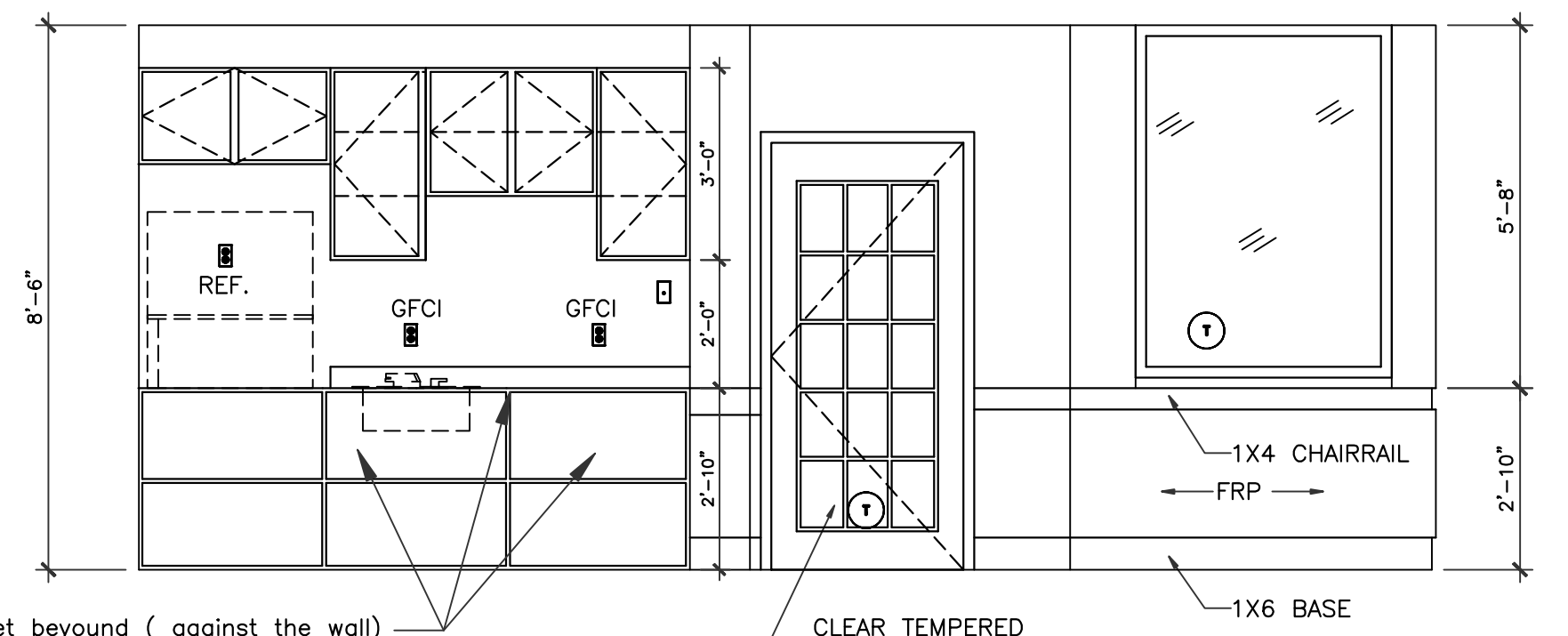
REVISIONS AND ISSUANCE		
NO.	DATE	DESCRIPTION
1	04152019	PRICING
2	06202019	PERMIT



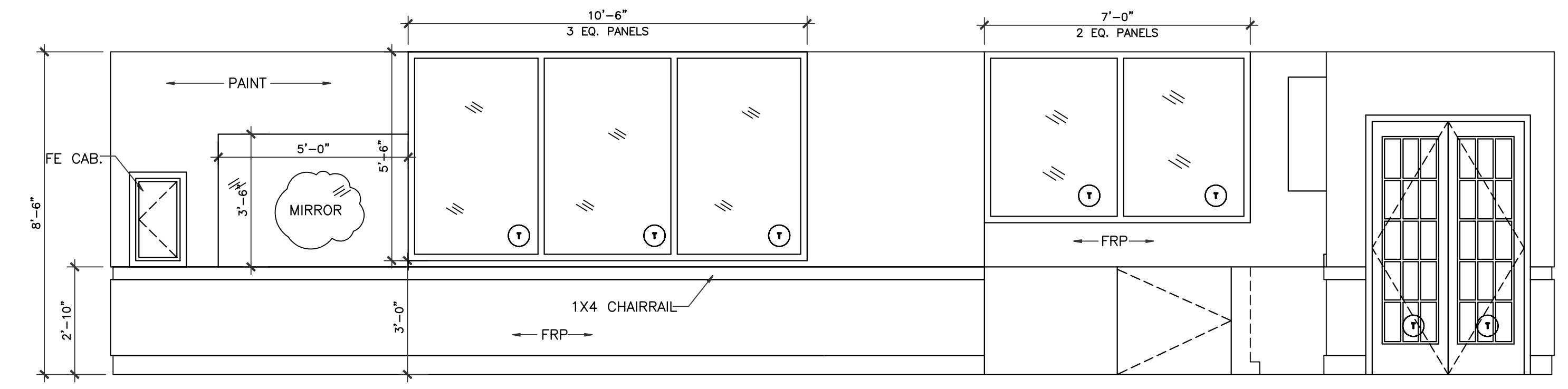
**1 CLASSROOM #200 ELEVATION**  
3/8" = 1'-0"



**2 CLASSROOM #200 ELEVATION**  
3/8" = 1'-0"

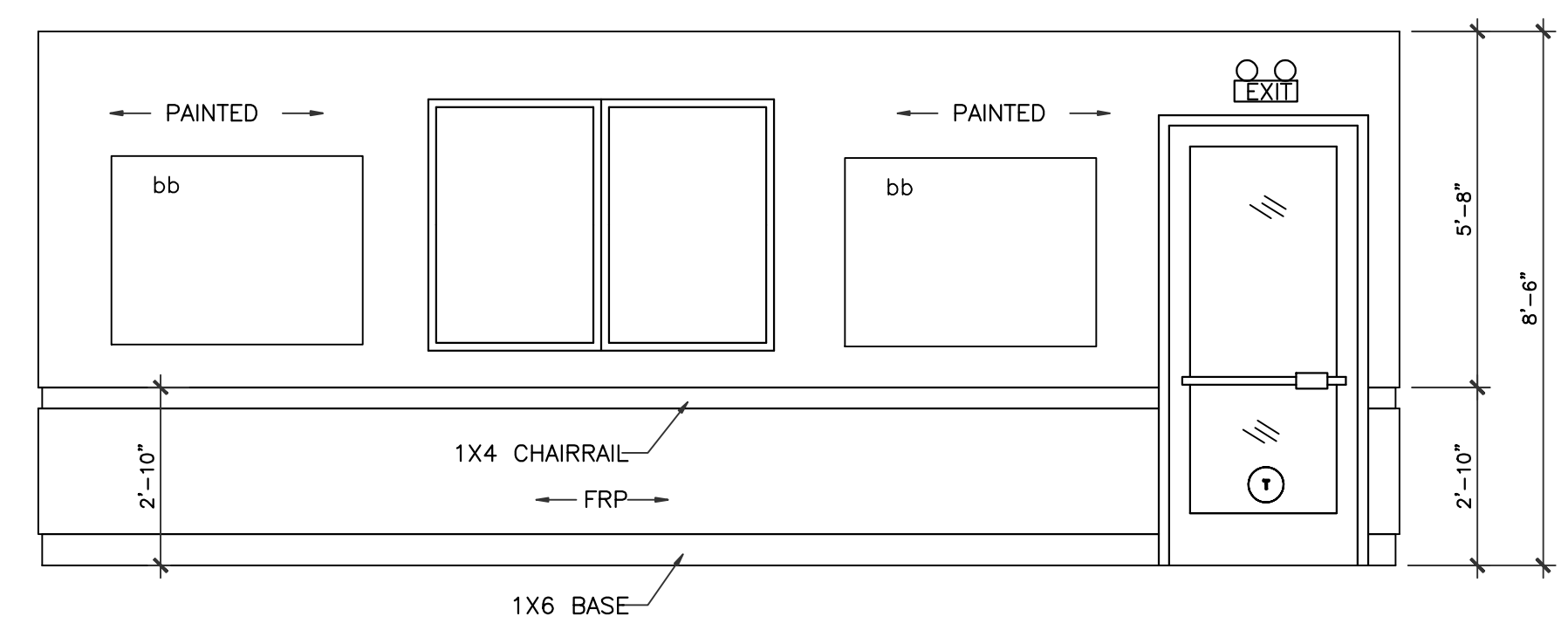


**3 CLASSROOM #200 ELEVATION**  
3/8" = 1'-0"

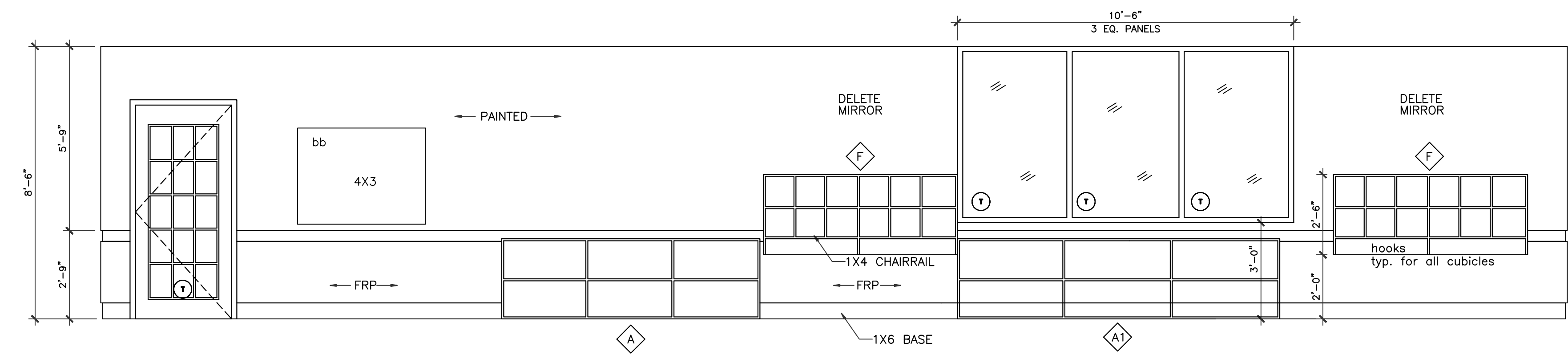


**4 CLASSROOM #200 ELEVATION**  
3/8" = 1'-0"

sink and cabinet beyond ( against the wall) not shown, see A7.0  
CLEAR TEMPERED FRENCH DOOR(TYP)

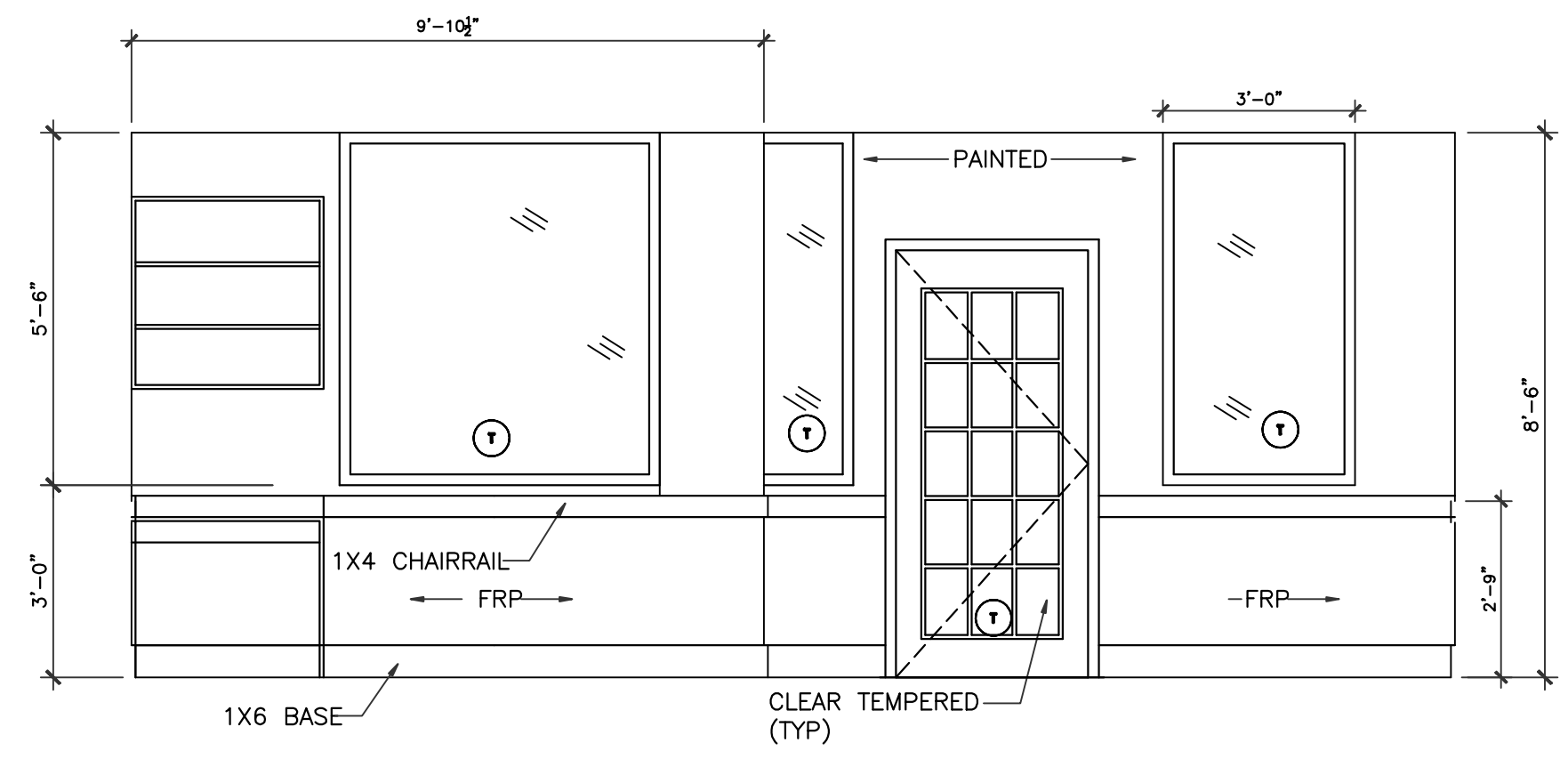


**5 CLASSROOM #250 ELEVATION**  
3/8" = 1'-0"

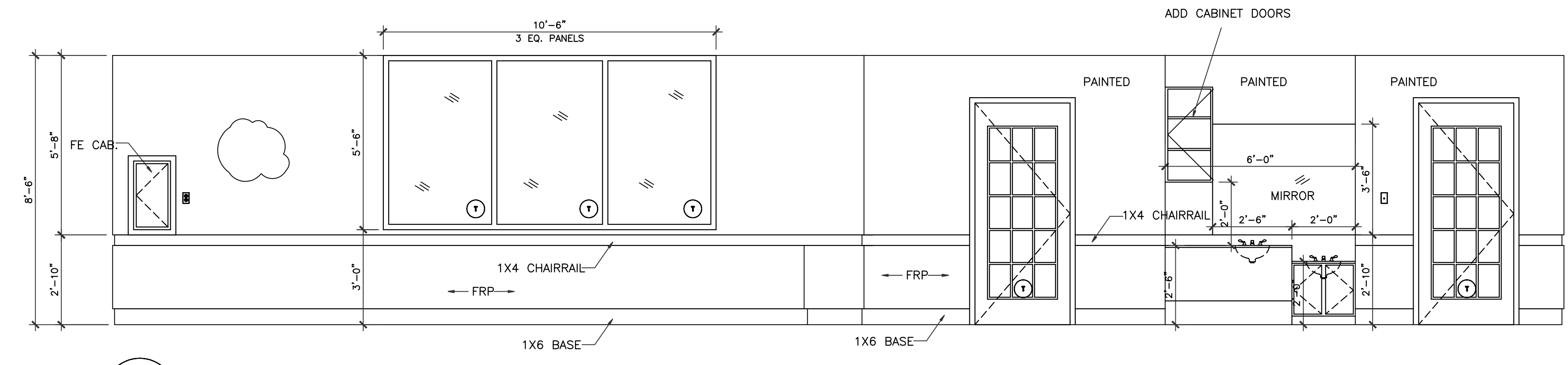


**6 CLASSROOM #250 ELEVATION**  
3/8" = 1'-0"

A COBBY HOLE RECEIVES A HOOK, TYP.



**7 CLASSROOM #250 ELEVATION**  
3/8" = 1'-0"



**8 CLASSROOM #250 ELEVATION**  
3/8" = 1'-0"

LEGEND  
bb Bulletin Board

IVY KIDS EARLY LEARNING CENTER  
LOT COM2I  
CROSS CREEK RANCH  
6407 CROSS CREEK BEND LANE  
FULSHEAR, TX 77441



DRAWING TITLE	
<b>INTERIOR ELEVATIONS</b>	
DRAWN BY	CHECKED BY
DATE	JOB NO.
DRAWING NO.	fulshear

**A-6.1**