

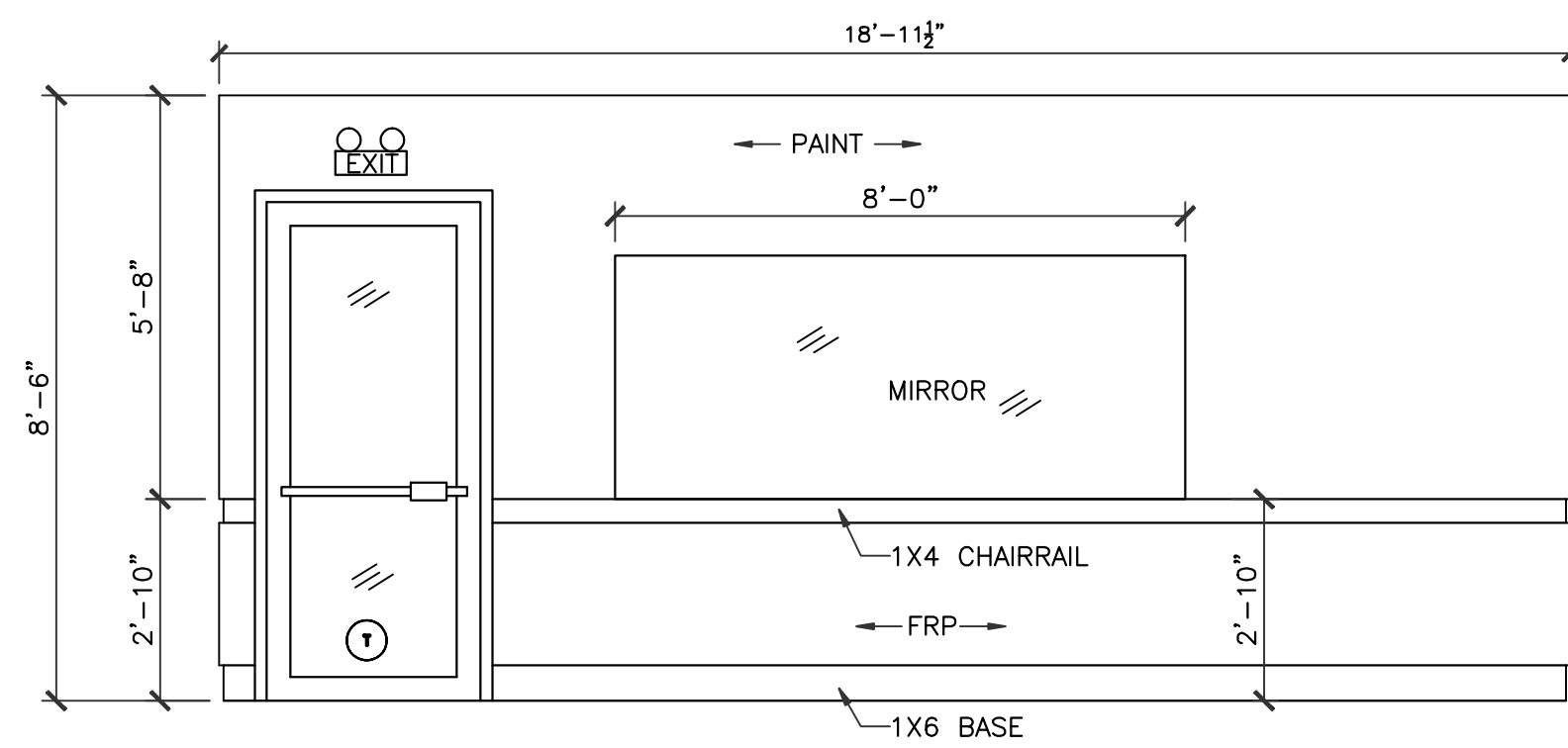
REVISIONS AND ISSUANCE		
NO.	DATE	DESCRIPTION
1	04152019	PRICING
2	06202019	PERMIT

IVY KIDS EARLY LEARNING CENTER
LOT COM2I
CROSS CREEK RANCH
6407 CROSS CREEK BEND LANE
FULSHEAR, TX 77441

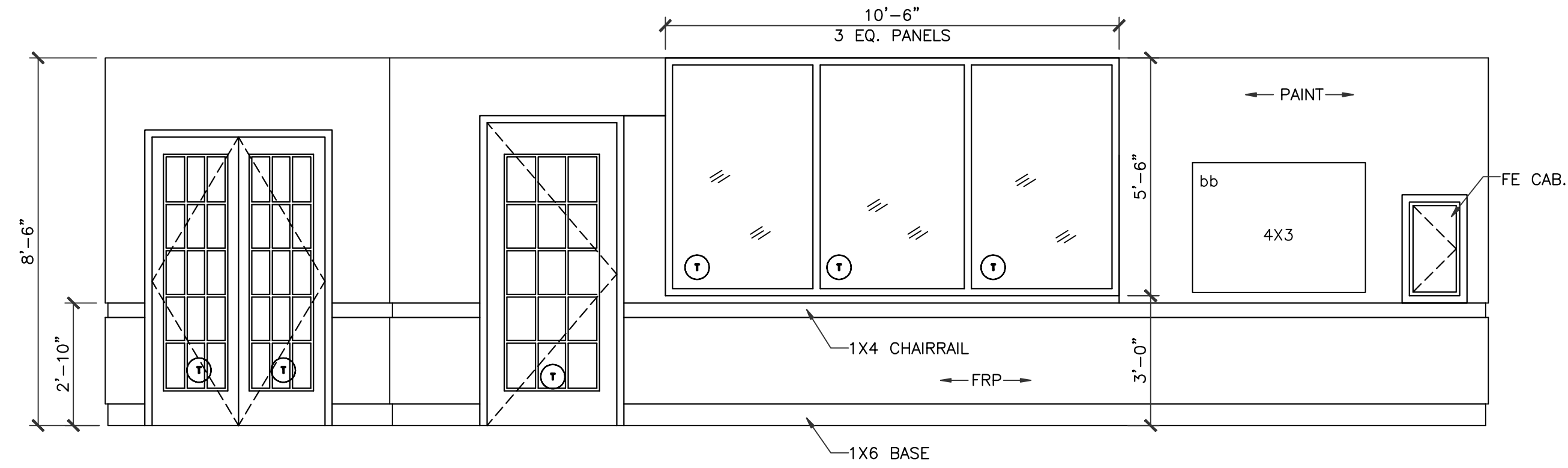


DRAWING TITLE	
INTERIOR ELEVATIONS	
DRAWN BY	CHECKED BY
DATE	JOB NO.
DRAWING NO.	

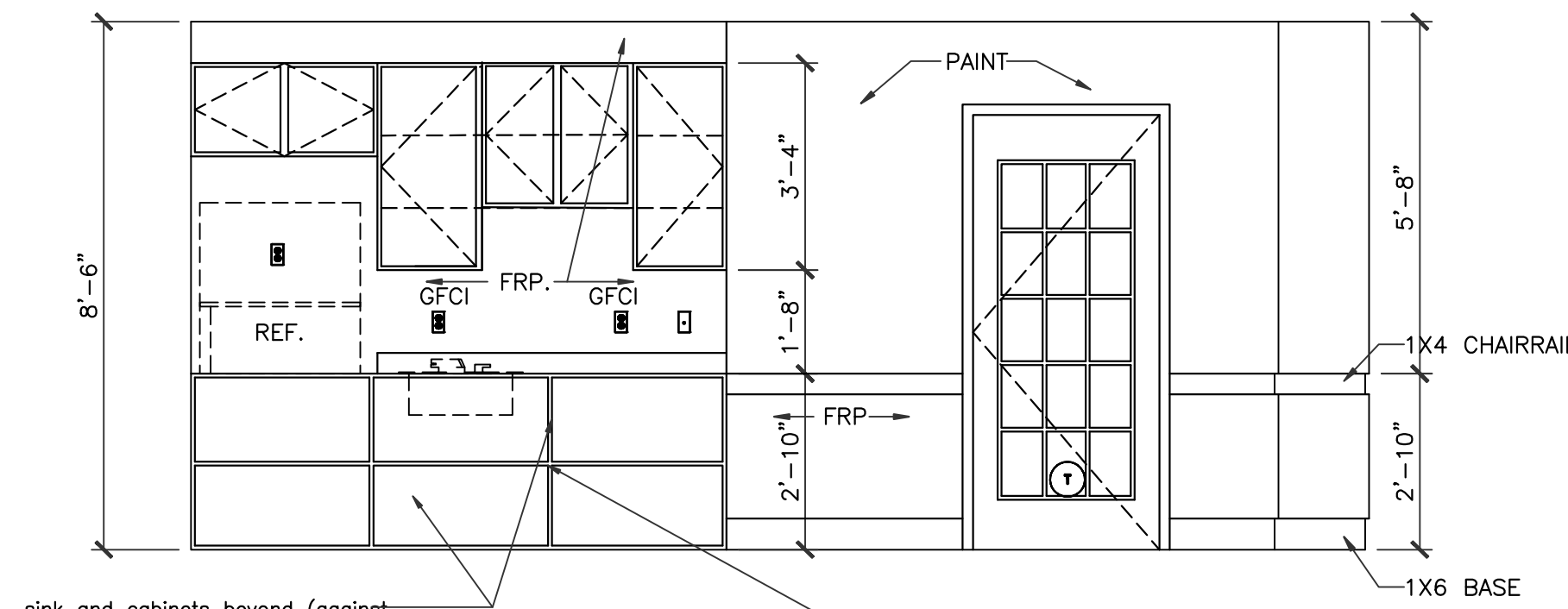
A-6.0



1 CLASSROOM #100 ELEVATION
 3/8" = 1'-0"



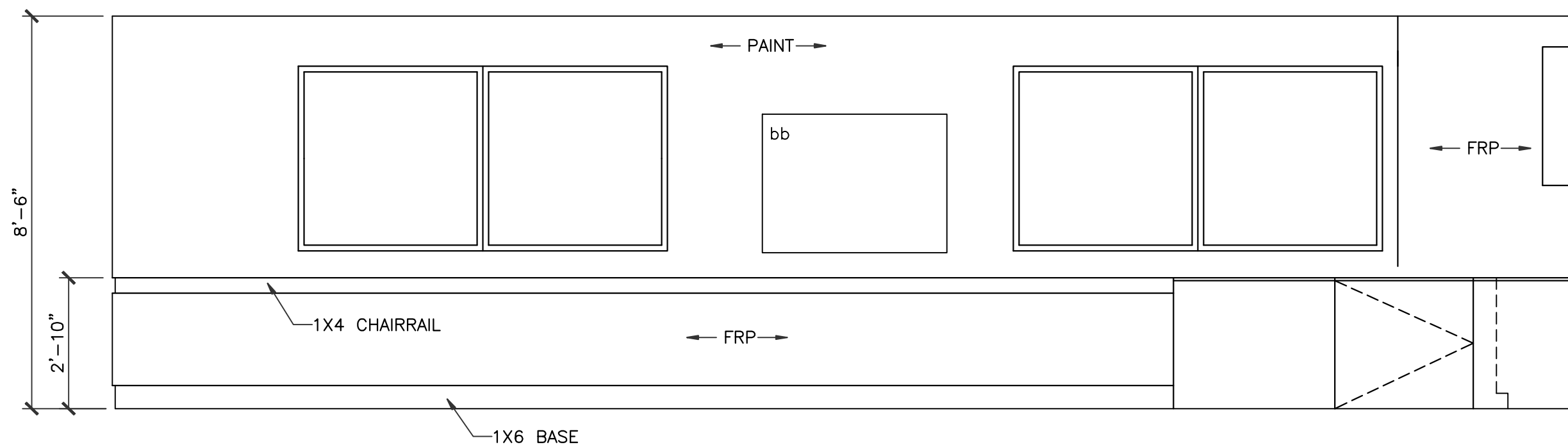
2 CLASSROOM #100 ELEVATION
 3/8" = 1'-0"



3 CLASSROOM #100 ELEVATION
 3/8" = 1'-0"

APPLY EDGE PROTECTION, MULTI-PURPOSE EDGES AND CORNER GUARDS SET Bebe Earth, www.julieearth.com, rooms 100 150 AND 200

sink and cabinets beyond (against the wall) not shown see A7.0

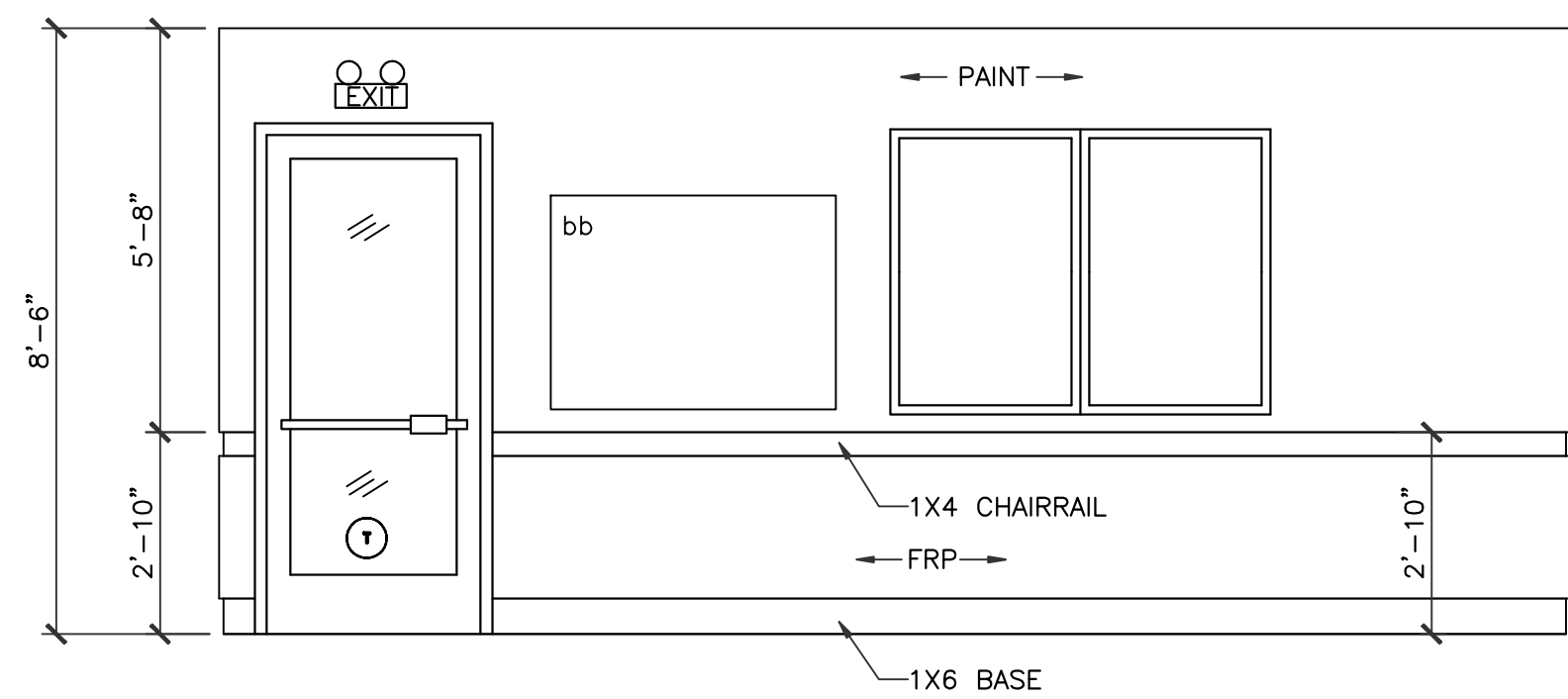


4 CLASSROOM #100 ELEVATION
 3/8" = 1'-0"

- ALL CHAIR RAIL SHALL HAVE A TRUE DIMENSION OF 4" HEIGHT SO TO ALIGN WITH COUNTER SPLASH
- PLACE THERMOSTAT SENSOR AT APPROX. 6' AFF TO AVOID CHILDREN PLAYING WITH THEM.
- FRAME OF ALL MIRROR SHALL BE TYPE 430 STAINLESS STEEL.
- COORDINATE WITH OWNER'S REP. OF ALL ELECTRICAL/DATA OUTLETS.
- ELECTRICAL OUTLETS FOR ALL TV./SMART MONITORS SHALL BE RECESSED TYPE.
- COORDINATE WITH LOCATION OF FIRE ALARM WITH FIRE ALARM DRAWINGS, FIELD COORDINATE OF FIRE EXTINGUISHER/ CABINETS LOCATION.
- TO AVOID CONFLICT, COORDINATION WITH MILLWORK, FURNITURE, WINDOWS, DOORS AND ALL OTHER EQUIPMENT, DEVICES MUST BE DONE PRIOR TO LOCATE THE WALL SWITCH AND/OR OUTLETS. GC IS RESPONSIBLE, AT NO ADDITIONAL COST, TO FIX THE FILED CONFLICT SHOULD IT OCCURS.

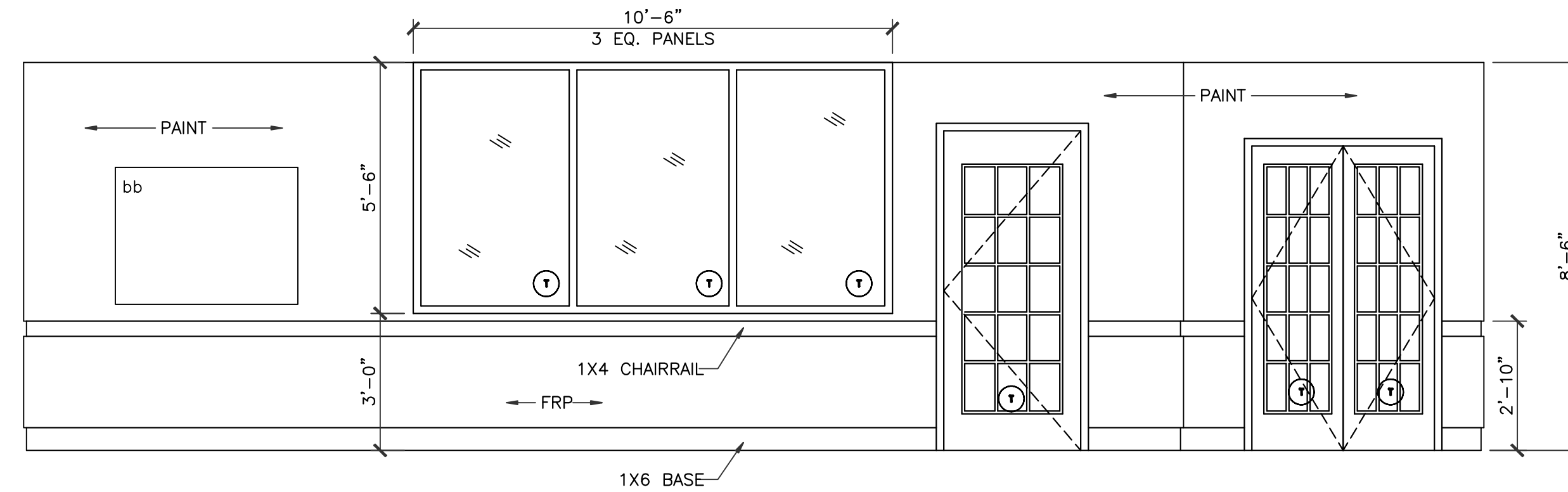
NOT ALL WALL OUTLETS, FIRE ALARM, FIRE SAFETY DEVICES ARE SHOWN, PREFER TO ALL OTHER PERTINENT DRAWINGS FOR COMPLETE INFORMATION

SEE A-6.8 FOR CUBBIE HOLE DESIGN

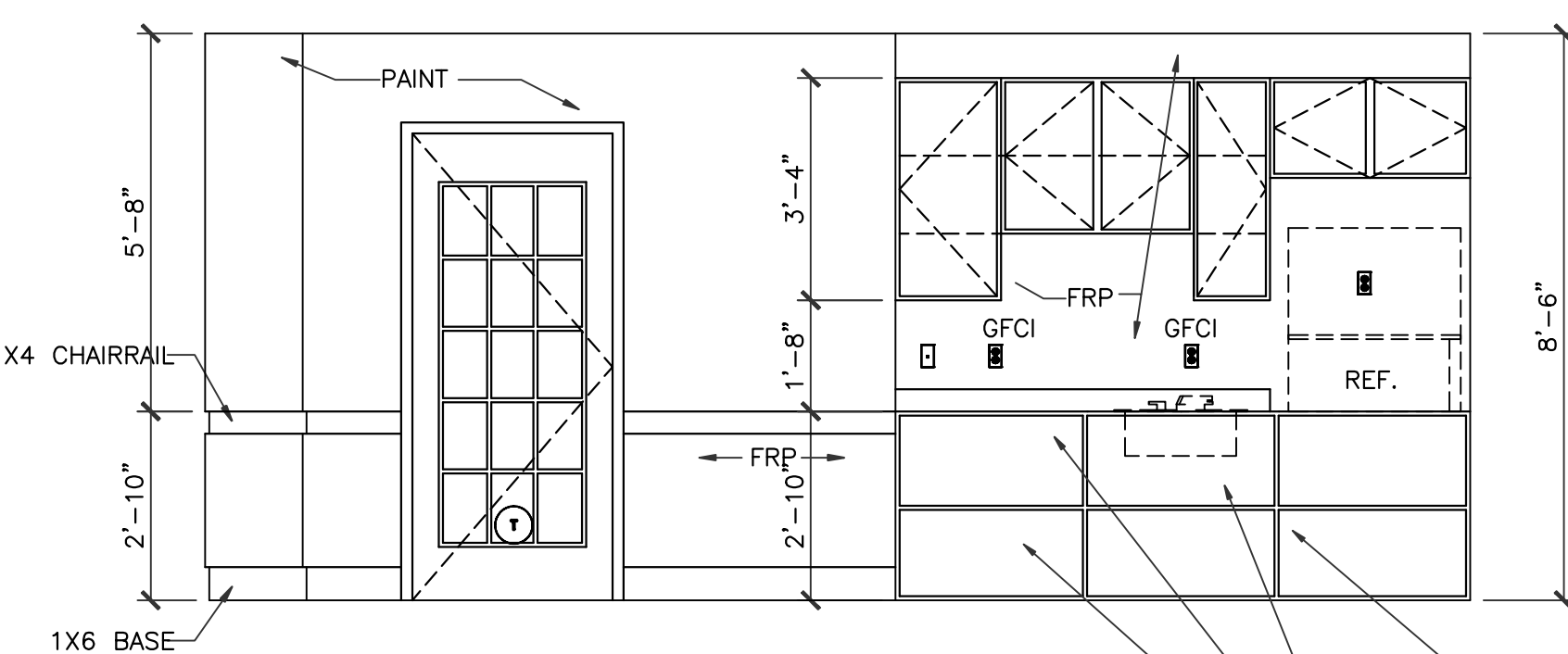


5 CLASSROOM #150 ELEVATION
 3/8" = 1'-0"

LEGEND
 bb Bulletin Board
 SEE A-2.0



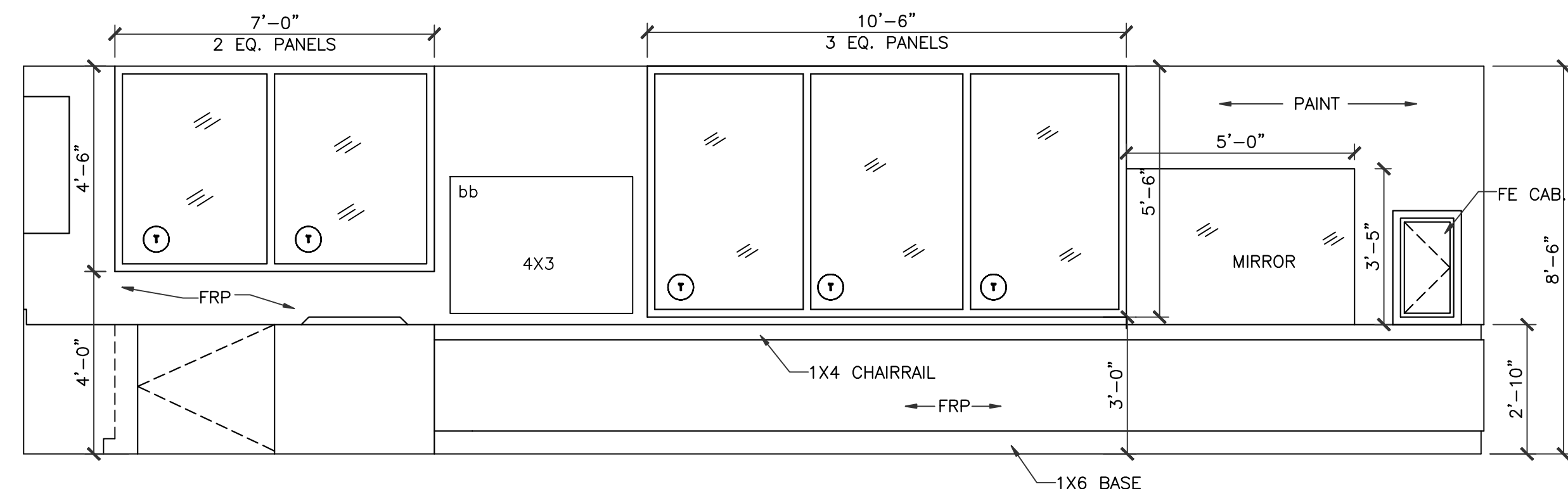
6 CLASSROOM #150 ELEVATION
 3/8" = 1'-0"



7 CLASSROOM #150 ELEVATION
 3/8" = 1'-0"

sink and cabinets beyond (against the wall) not shown see A7.0

APPLY EDGE PROTECTION, MULTI-PURPOSE EDGES AND CORNER GUARDS SET Bebe Earth, www.julieearth.com, rooms 100 150 AND 200



8 CLASSROOM #150 ELEVATION
 3/8" = 1'-0"