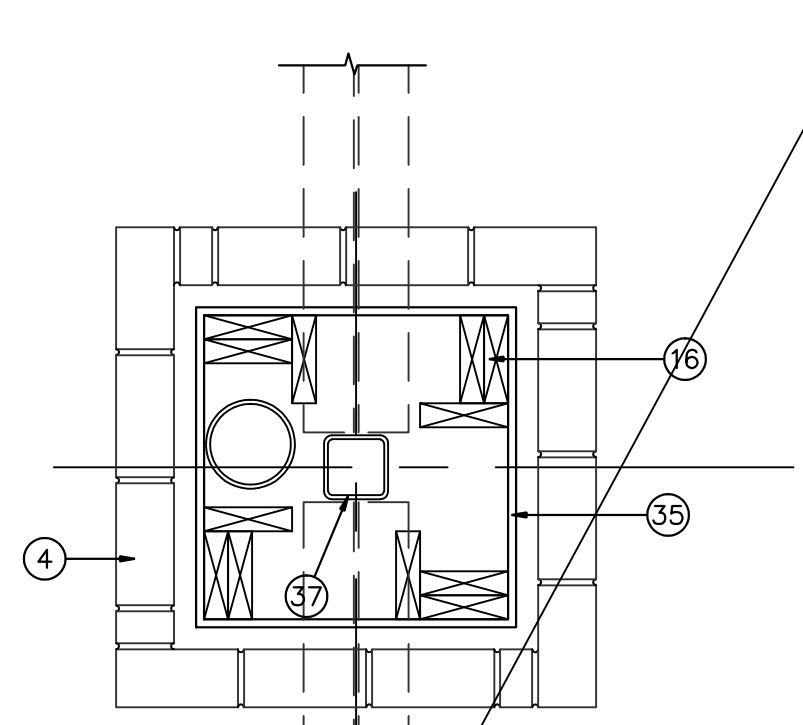


REVISIONS AND ISSUANCE

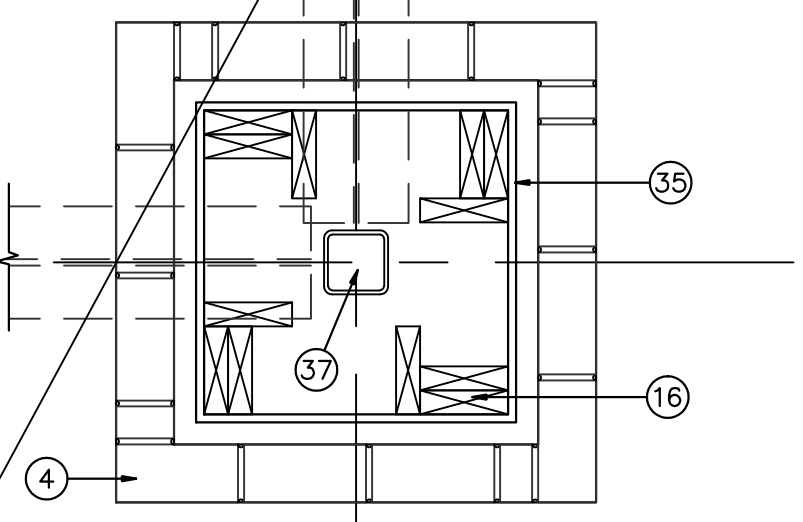
NO.	DATE	DESCRIPTION
1	04152019	PRICING
2	06202019	PERMIT

- FLOOR LINE
- STEEL ROD RING 3/4" DIAMETER MINIMUM. PLUG WELD TO RAILS. GRIND WELDS FLUSH.
- MINIMUM CLEARANCE TO PERPENDICULAR OBSTRUCTION = 15"
- BRACKET 3" X 1/4" STEEL PLATE OF SUFFICIENT LENGTH TO PROVIDE 7" STANDOFF FROM CENTERLINE OF RINGS. BEND TO FORM A 2" ANGLE. WELD TO RAIL AND BOLT TO STRUCTURE.
- STEEL BAR RAIL 3/8" X 2". PUNCH FOR RINGS. RAIL, 1 PIECE UNLESS OVER 16 FEET LONG.
- EQUAL RING SPACING, 1'-0" MAXIMUM.

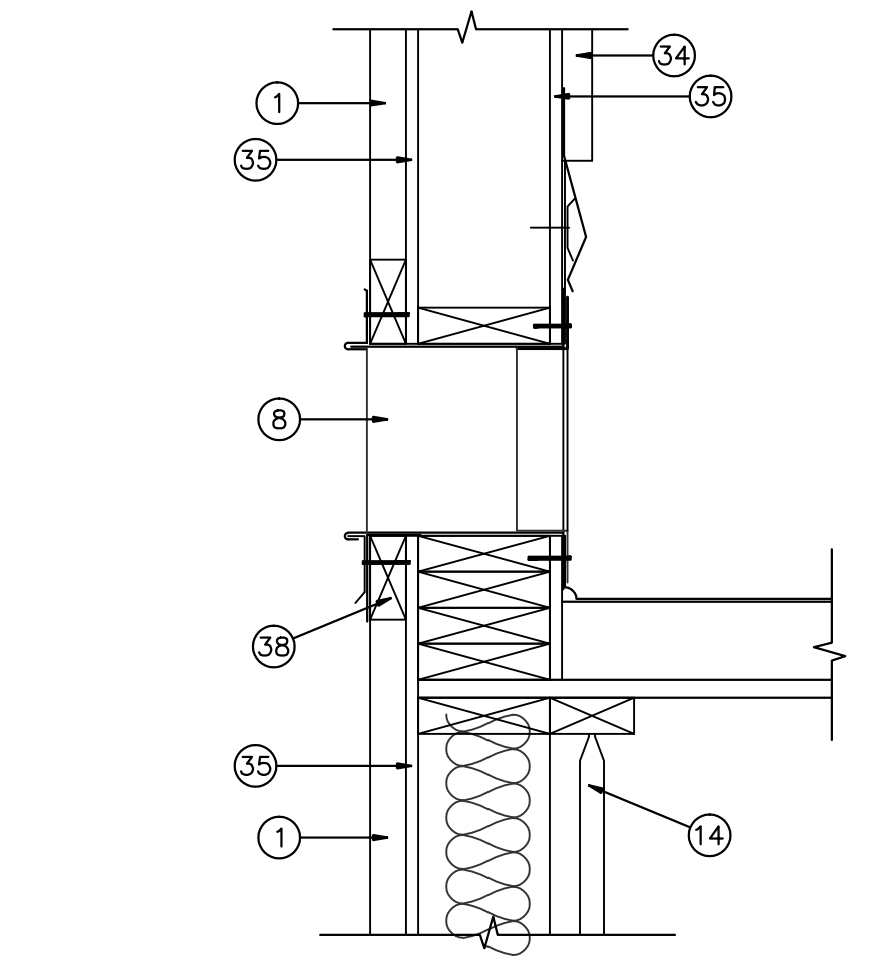
- 1" STUCCO ON STEEL WIRE MESH. PAINTED
- STUCCO BAND
- STANDING SEAM METAL ROOF, by "BERRIDGE"
- STONE AS SCHEDULED
- CAST STONE CAP
- GALVANIZED METAL FLASHING - PAINTED
- 10"x8" GALV. METAL DOWNSPOUT, CONNECTED TO UNDERGROUND STORM DRAIN SYSTEM. SEE CIVIL DRAWING.
- 18"Wx12"H OVERFLOW SCUPPER
- 18"Wx12"H ROOF SCUPPER WITH DRAIN BOX
- CROWN MOLDING, PAINTED, SEE DETAIL FOR SIZE
- BRICK - SEE ELEVATION
- STRUCTURAL FRAME, PAINTED COLOR TO MATCH STANDING SEAM METAL ROOF
- 3 PLY MODIFIED BITUMEN BUILT UP ROOF ON R-21 RIGID INSULATION ON 5/8" EXTERIOR PLY WOOD DECK (single ply is not acceptable)
- TRUSS, SEE STRUCTURAL (TRUSS ORIENTATION AS SHOWN MAY VARY)
- 5 1/2" R-19 BATT INSULATION AT ALL EXTERIOR WALLS
- 2X6 WOOD STUDS @ 16" O.C. SEE STRUCTURAL
- BRICK TIES, 22 GA, @ 16" O.C. HORIZONTAL & 32" O.C. VERTICAL
- WEEP HOLES @ 24" O.C.
- PLASTIC FLASHING (THRU-WALL TYPE)
- 1/2"x1/2" LG A.S. @ 36" O.C. RE-STRUCT.
- 5/8" GYPSUM BOARD, PAINTED. (USE WATER RESISTANT GYP. BOARD AT PLUMBING WALLS)
- SCHEDULED DOOR
- SCHEDULED WINDOW
- SCHEDULED BASE
- HOLLOW METAL FRAME / DOOR
- STEEL LINTEL, PAINTED COLOR TO MATCH WALL, SIZE SEE STRUCTURAL
- SEALANT AND BACKER ROD
- 1/2"x1/2" DRIP, 'FRY REGLET'
- 1"x1" FRY REGLET ALUM. REVEAL, PAINTED
- CONTINUOUS CAULK
- SOFFIT, PLASTER ON METAL LATH ON SHEATHING
- CONTINUOUS SOFFIT VENT
- W/P MEMBRANE OVER PLYWOOD SHEATHING ON STUDS. SEE BRACING NOTES ON STRUCTURAL DRAWING
- 1/2" EXTERIOR PLYWOOD OR O.S.B. SHEATHING COVERED "TYEKK" STUCCO WARP
- 3 PLY MODIFIED BITUMEN BUILT UP ROOF ON RIGID INSULATION ON PLYWOOD ROOF DECK (single ply is not acceptable)
- STEEL BEAM, SEE STRUCTURAL
- 2x TREATED WOOD BLOCK CONTINUOUS
- STONE



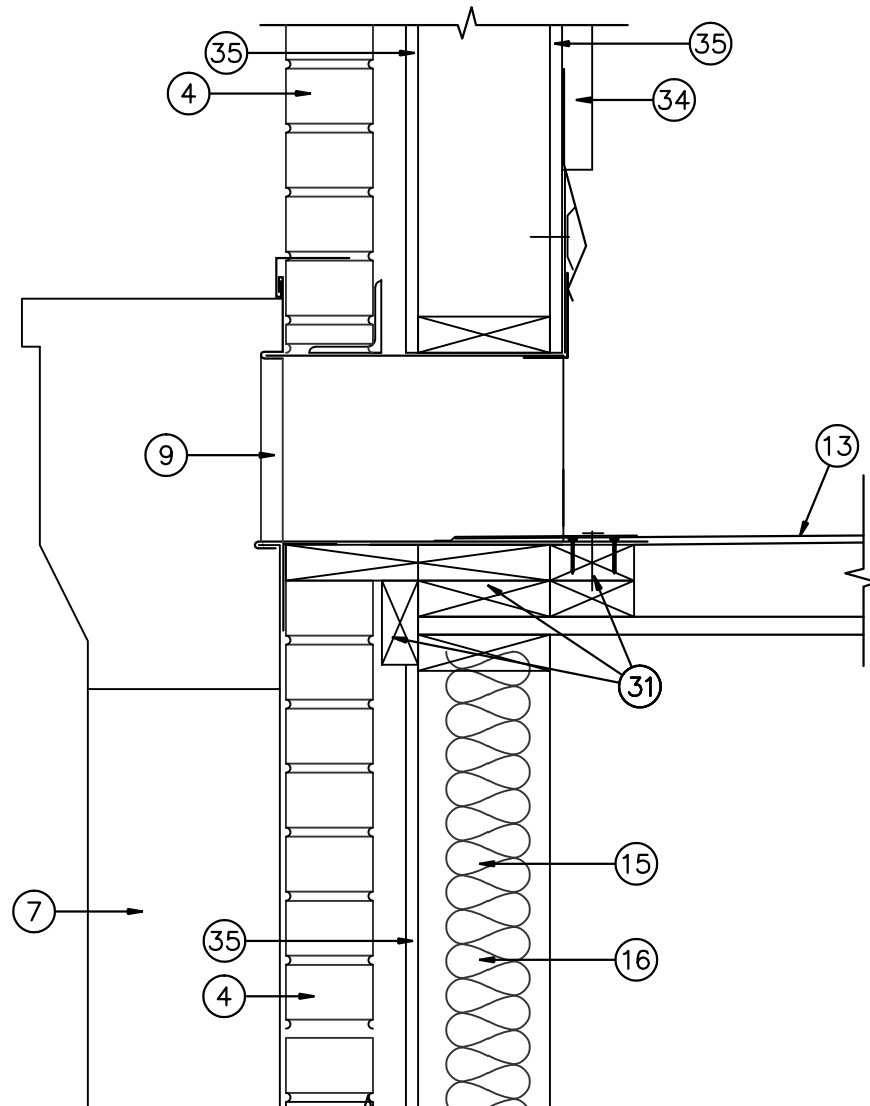
01 COLUMN PLAN  
SCALE: 1/2"=1'-0"



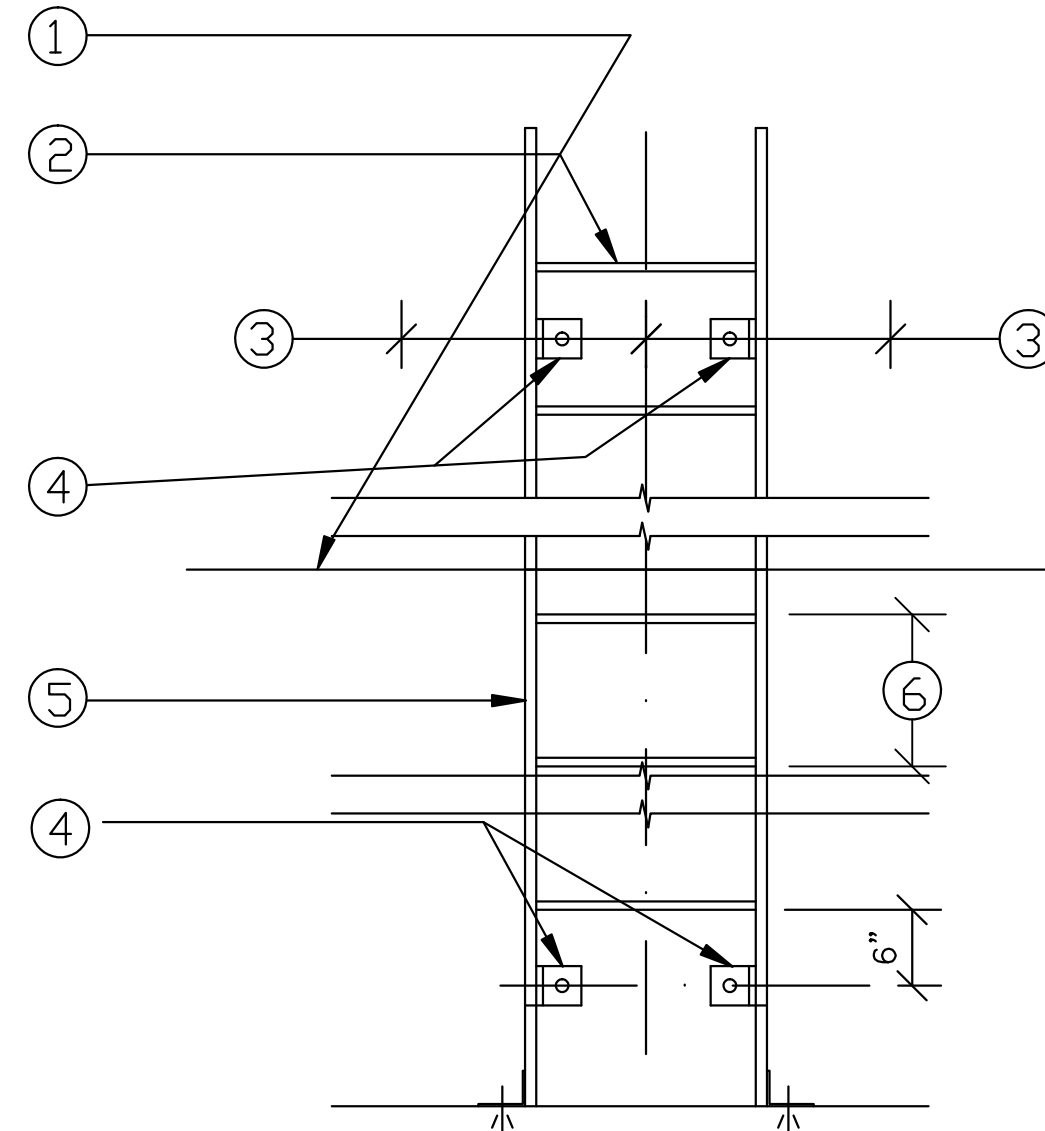
02 COLUMN PLAN  
SCALE: 1/2"=1'-0"



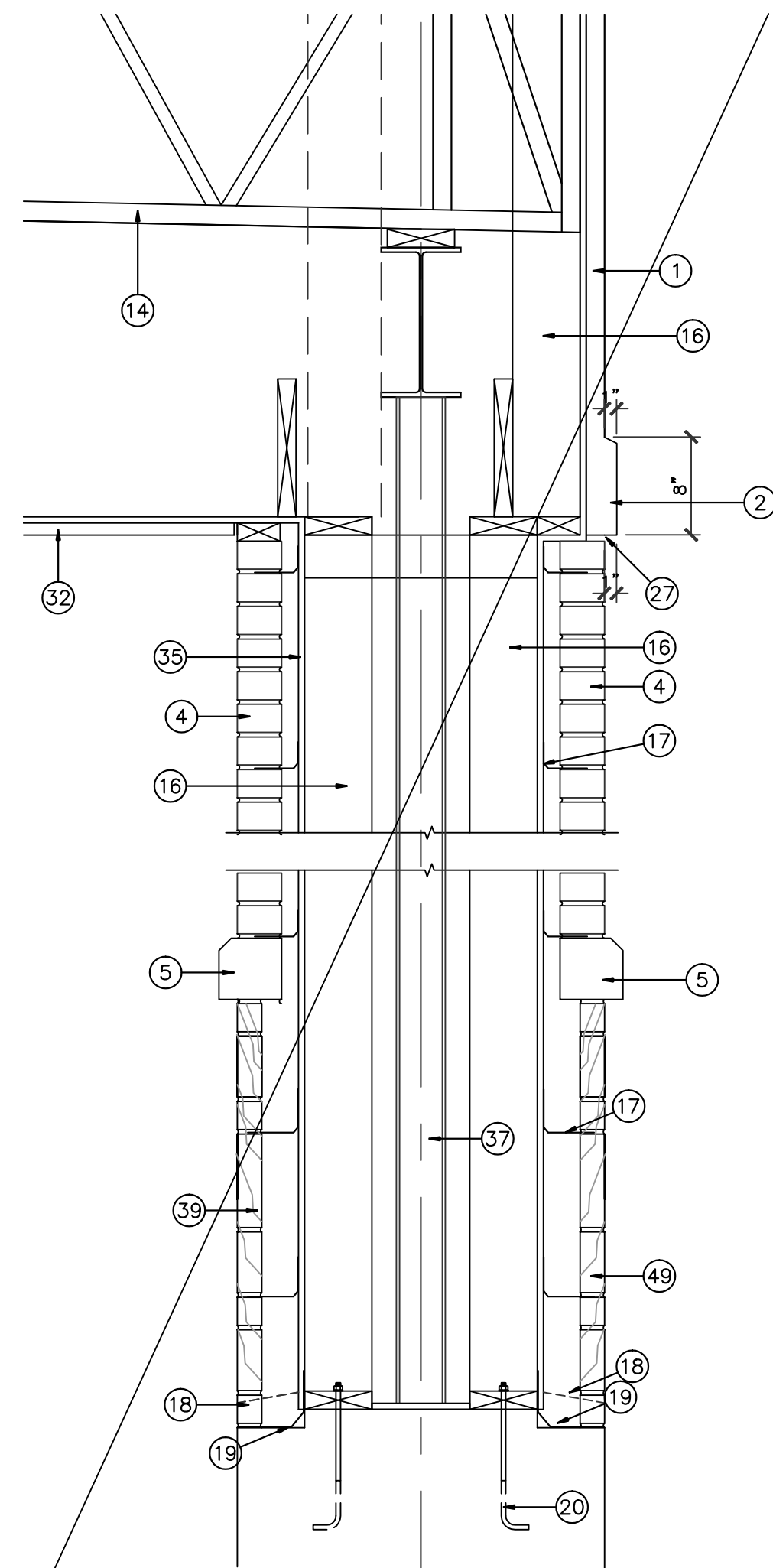
03 DETAIL  
SCALE: 1 1/2"=1'-0"



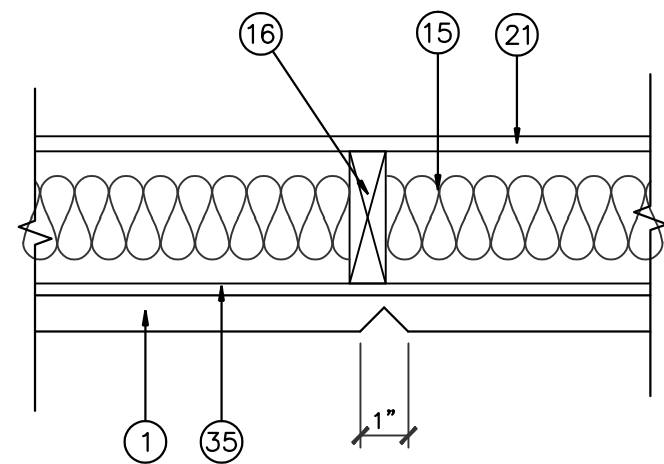
04 DETAIL  
SCALE: 1 1/2"=1'-0"



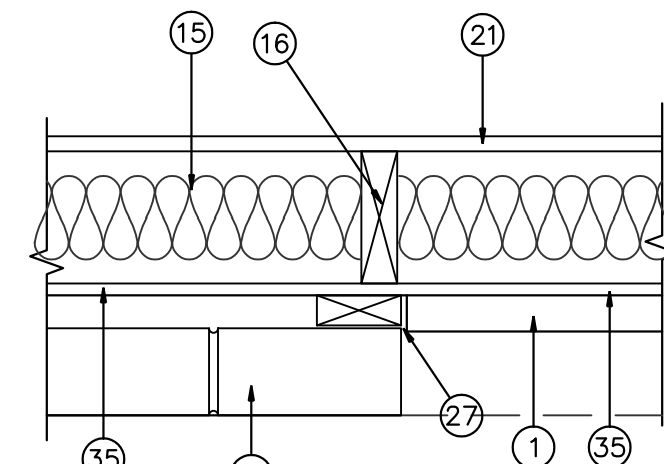
05 ROOF LADDER DETAIL  
SCALE: 1/2"=1'-0"



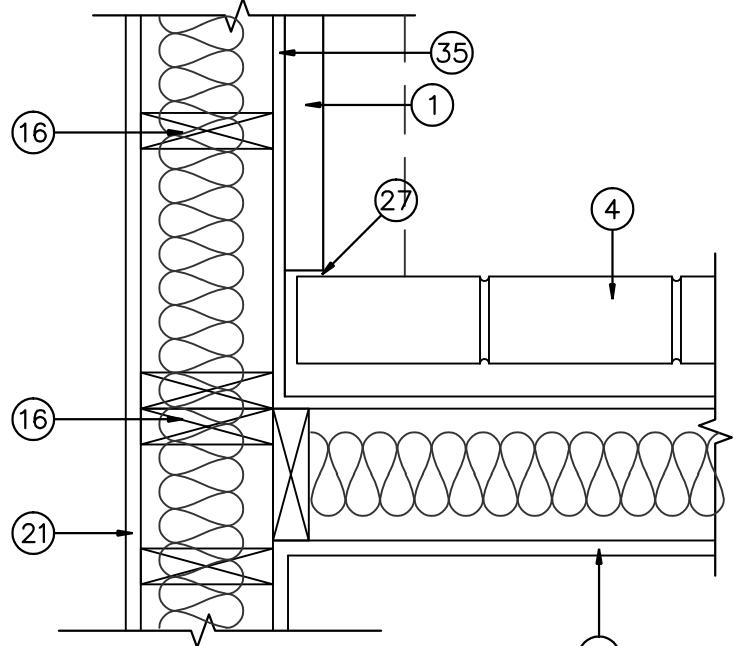
06 COLUMN SECTION  
SCALE: 1/2"=1'-0"



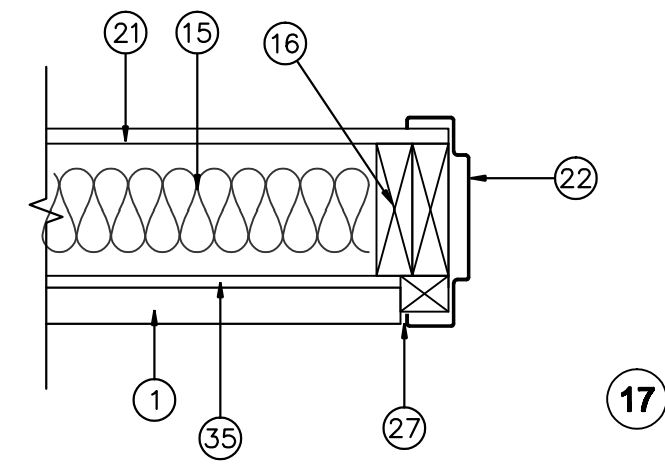
07 DETAIL  
SCALE: 1 1/2"=1'-0"



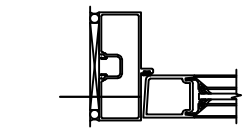
08 DETAIL  
SCALE: 1 1/2"=1'-0"



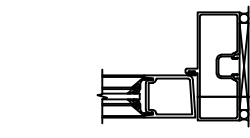
09 DETAIL  
SCALE: 1 1/2"=1'-0"



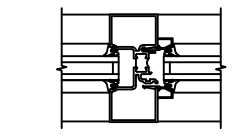
10 DETAIL  
SCALE: 1 1/2"=1'-0"



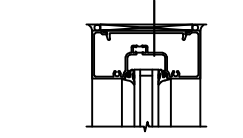
17 DETAIL  
SCALE: 1 1/2"=1'-0"



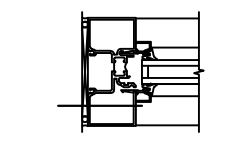
18 DETAIL  
SCALE: 1 1/2"=1'-0"



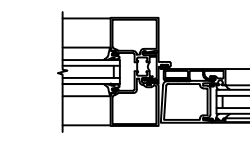
19 DETAIL  
SCALE: 1 1/2"=1'-0"



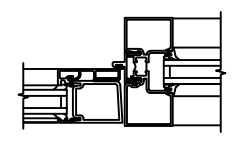
20 DETAIL  
SCALE: 1 1/2"=1'-0"



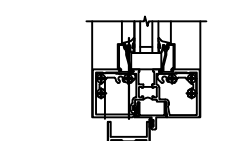
21 DETAIL  
SCALE: 1 1/2"=1'-0"



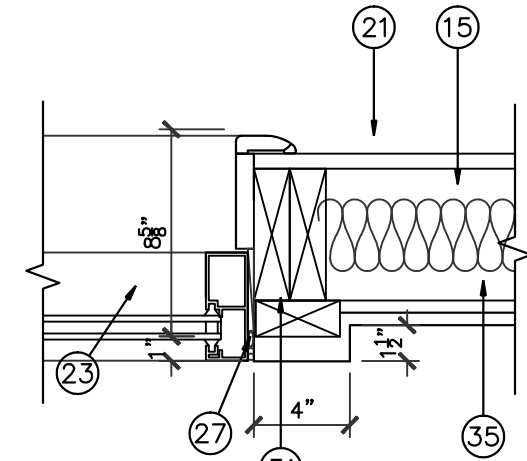
22 DETAIL  
SCALE: 1 1/2"=1'-0"



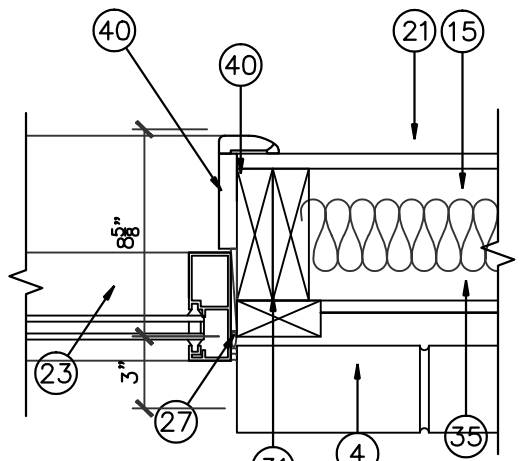
23 DETAIL  
SCALE: 1 1/2"=1'-0"



24 DETAIL  
SCALE: 1 1/2"=1'-0"

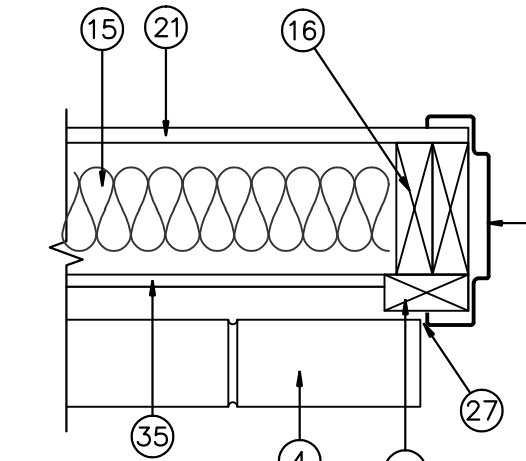


11 DETAIL  
SCALE: 1 1/2"=1'-0"



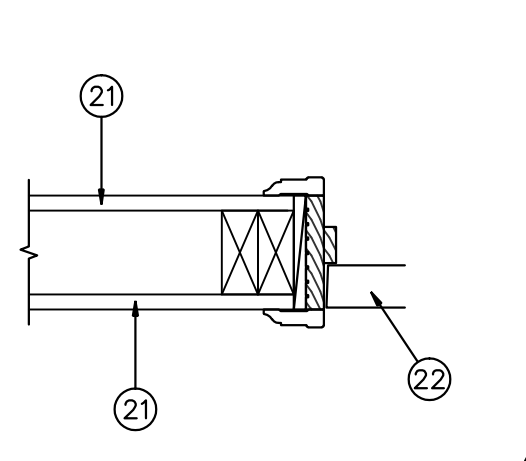
12 DETAIL  
SCALE: 1 1/2"=1'-0"

13 DETAIL  
SCALE: 1 1/2"=1'-0"

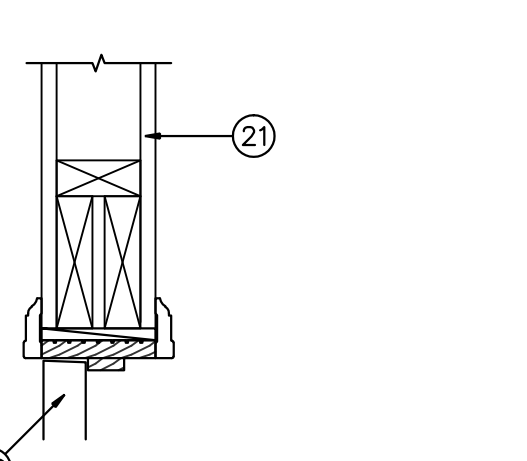


14 DETAIL  
SCALE: 1 1/2"=1'-0"

15 INTERIOR DOOR JAMB- DETAIL  
SCALE: 1 1/2"=1'-0"



16 INTERIOR DOOR HEADER- DETAIL  
SCALE: 1 1/2"=1'-0"



IVY KIDS EARLY LEARNING CENTER  
LOT COM21  
CROSS CREEK RANCH  
6407 CROSS CREEK BEND LANE  
FULSHEAR, TX 77441



DRAWING TITLE

DETAILS

DRAWN BY: JC  
CHECKED BY: JC

DATE: 09/20/2018  
JOB NO.: fulshear

DRAWING NO. A-5.3