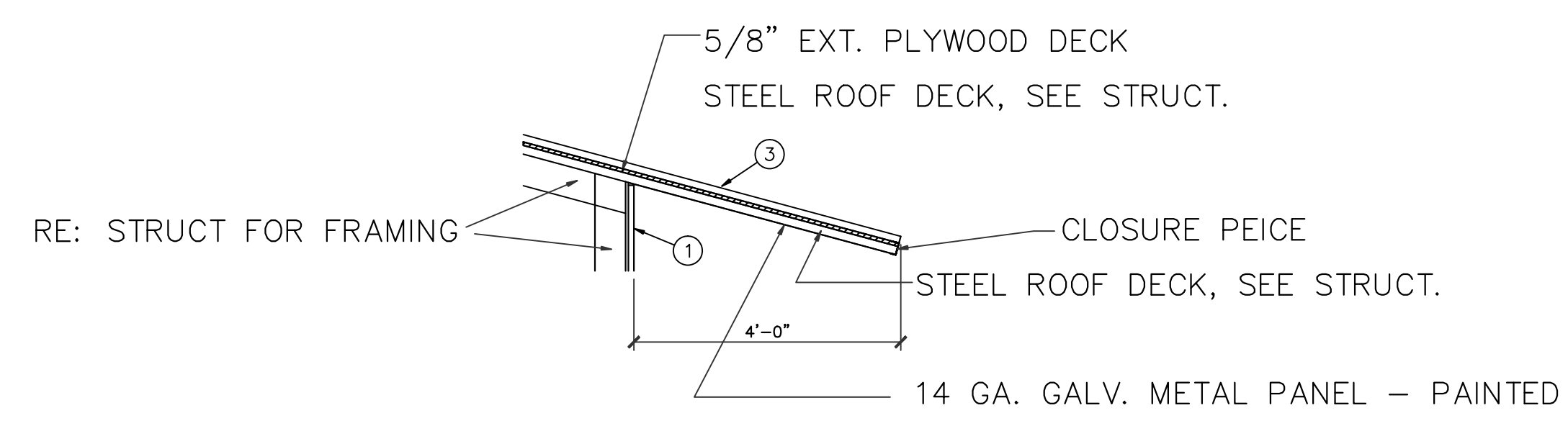


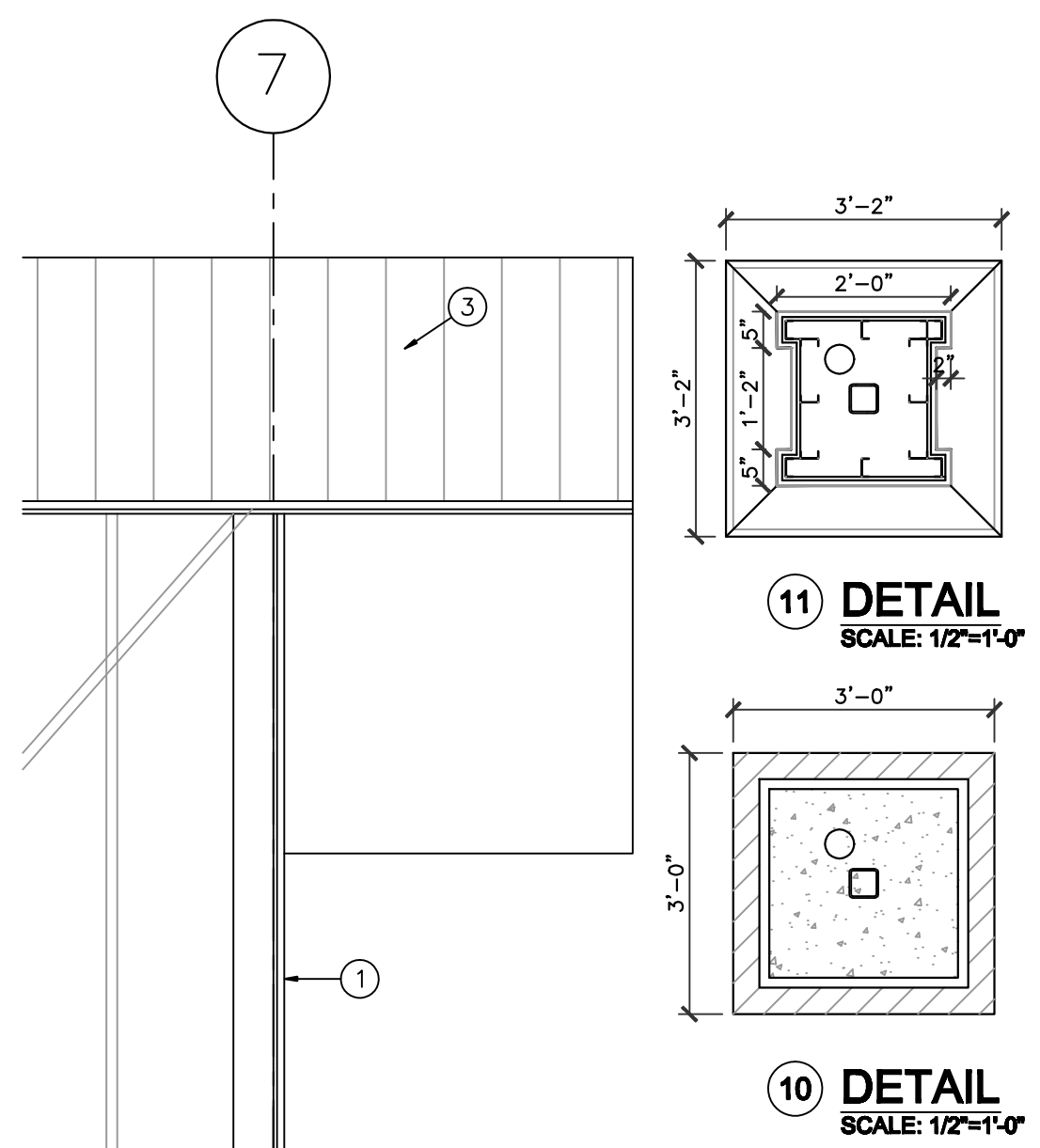
REVISIONS AND ISSUANCE		
NO.	DATE	DESCRIPTION
1	04152019	PRICING
2	06202019	PERMIT

IVY KIDS EARLY LEARNING CENTER
LOT COM2I
CROSS CREEK RANCH
6407 CROSS CREEK BEND LANE
FULSHEAR, TX 77441



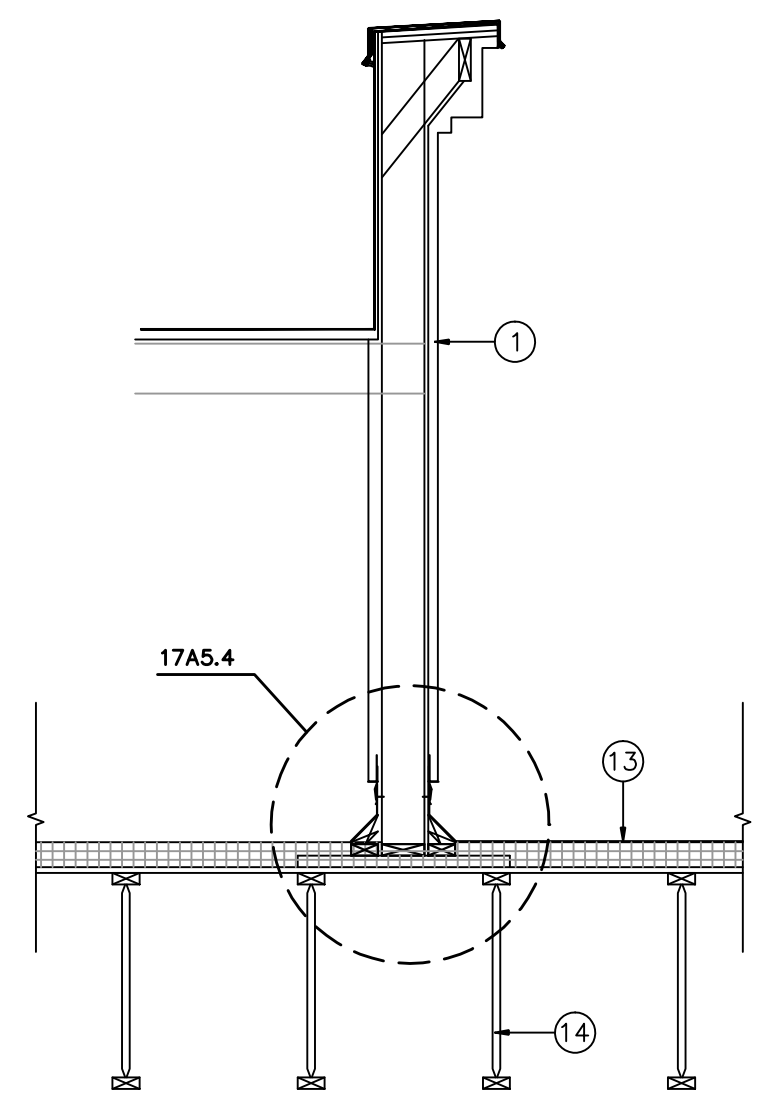
12 METAL ROOF EAVE DETAIL
SCALE: 1/2"=1'-0"

SEE BUILDING ELEVATIONS AND ROOF PLAN FOR ACTUAL WALL HEIGHT,

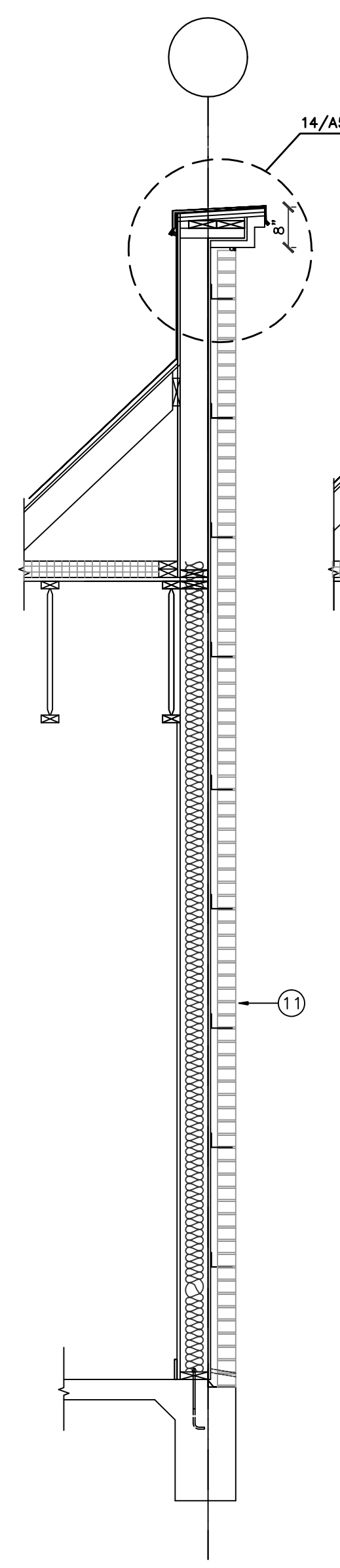


11 DETAIL
SCALE: 1/2"=1'-0"

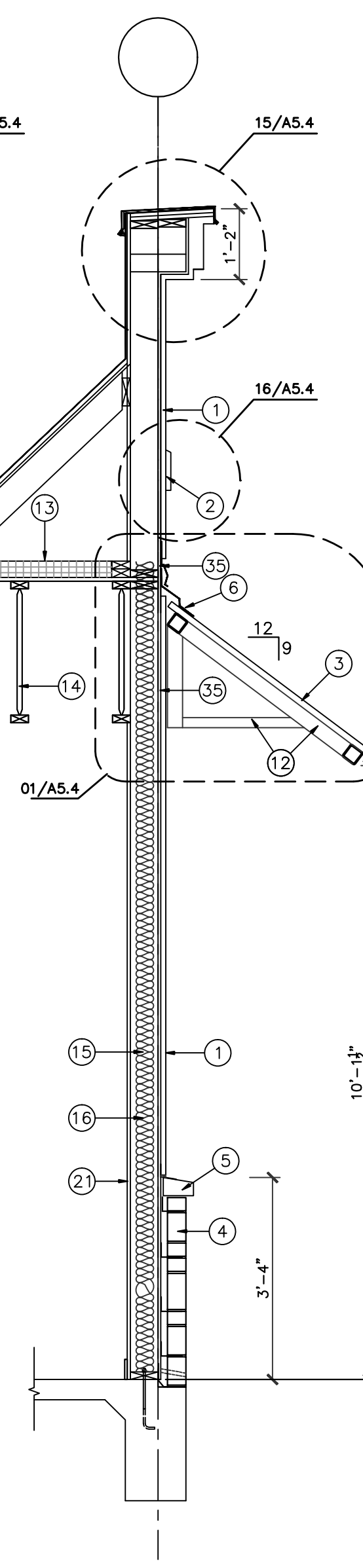
10 DETAIL
SCALE: 1/2"=1'-0"



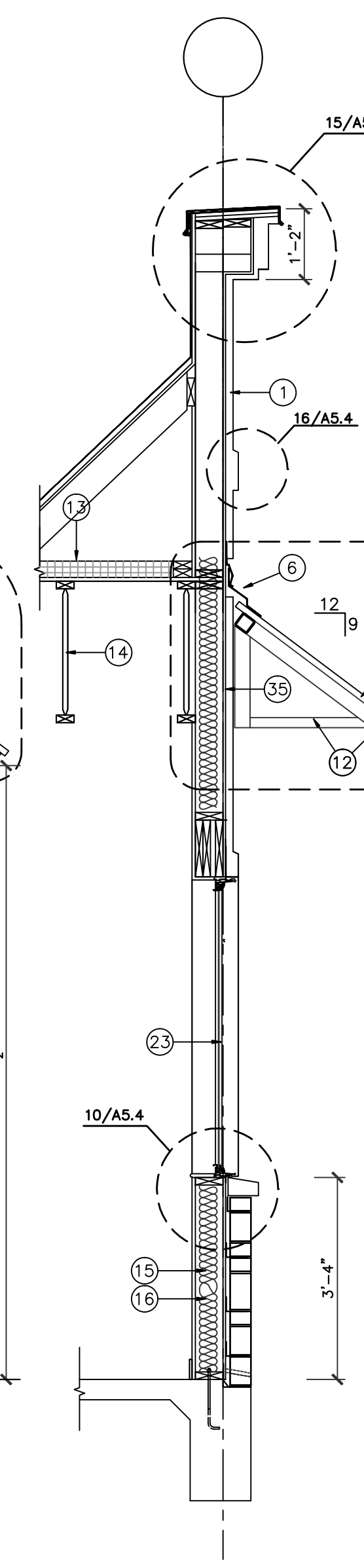
09 WALL SECTION
SCALE: 1/2"=1'-0"



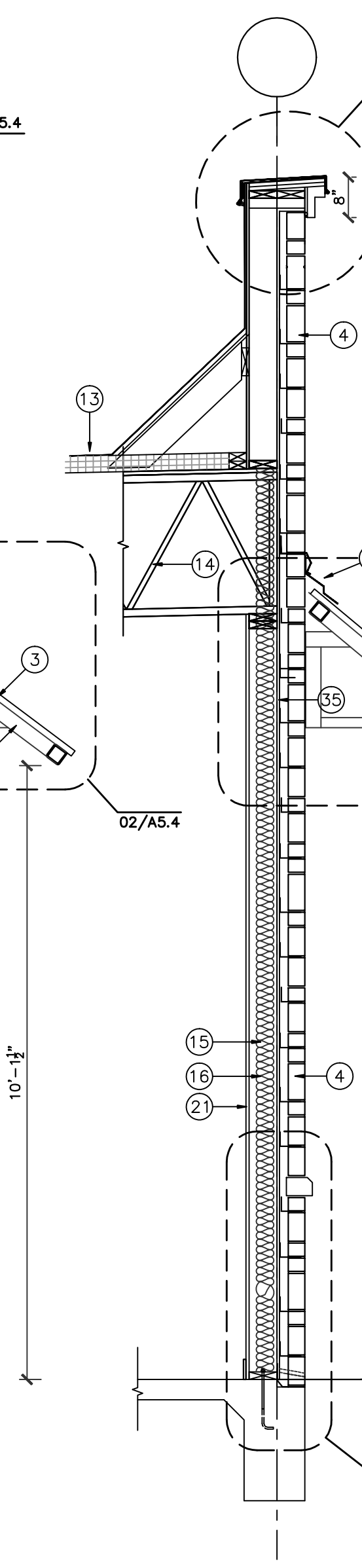
08 WALL SECTION
SCALE: 1/2"=1'-0"



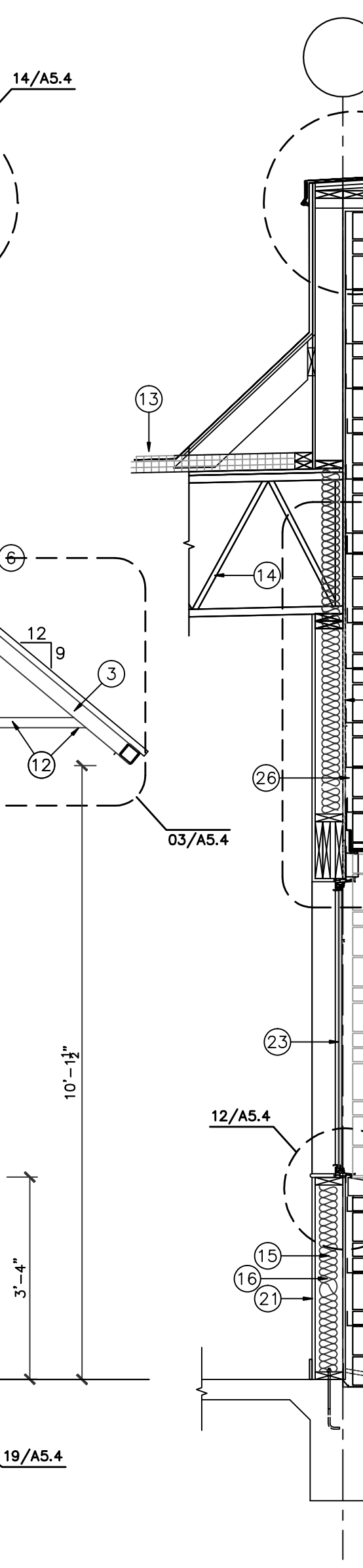
07 WALL SECTION
SCALE: 1/2"=1'-0"



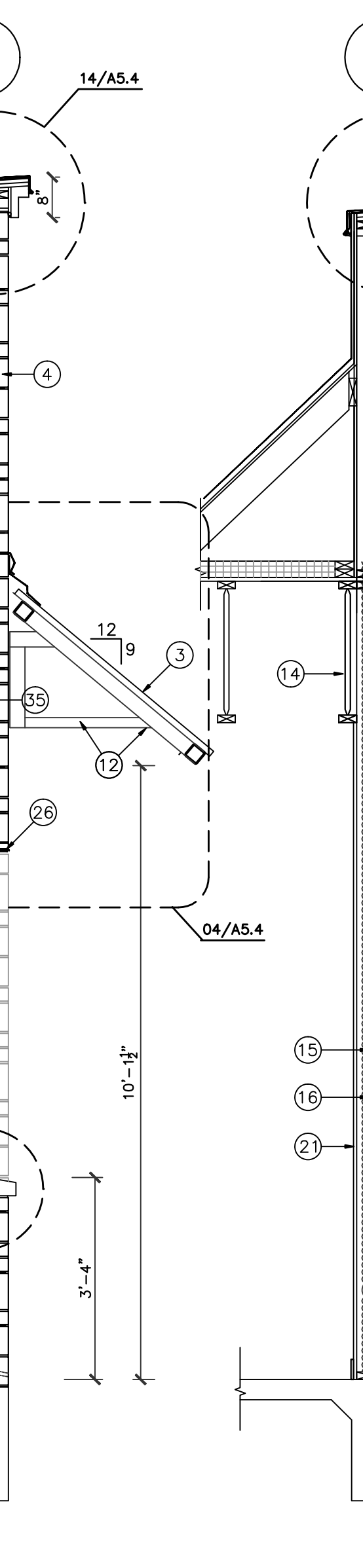
06 WALL SECTION
SCALE: 1/2"=1'-0"



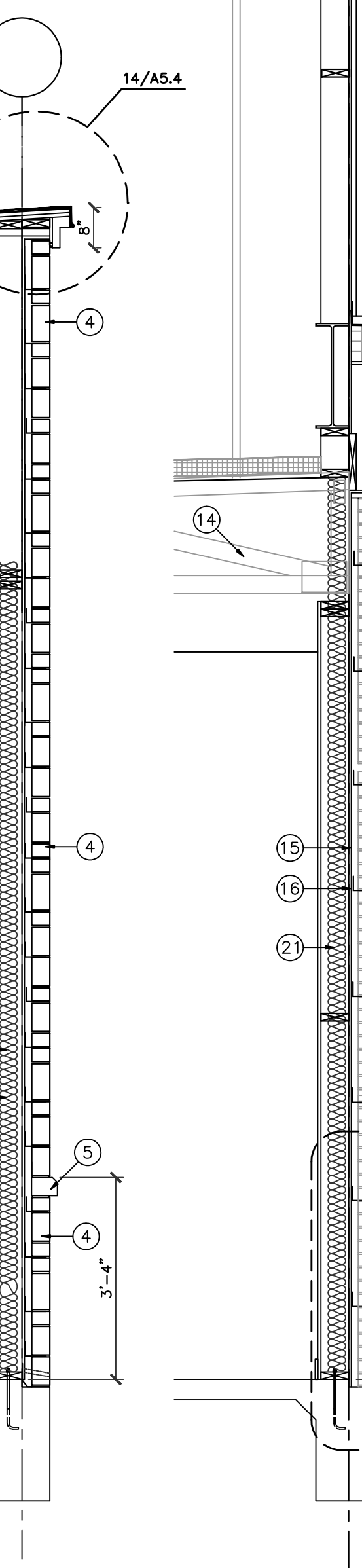
05 WALL SECTION
SCALE: 1/2"=1'-0"



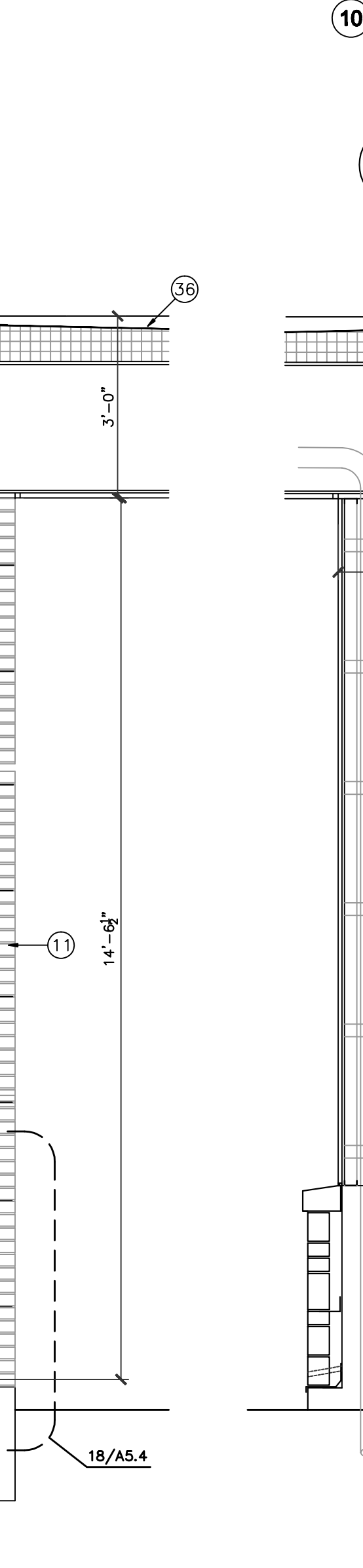
04 WALL SECTION
SCALE: 1/2"=1'-0"



03 WALL SECTION
SCALE: 1/2"=1'-0"

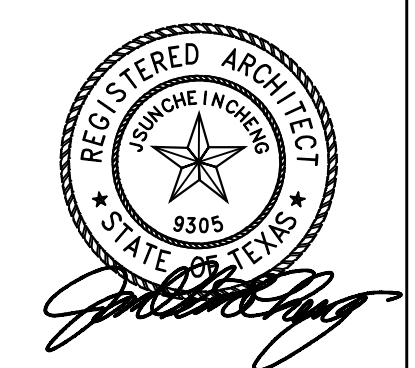


02 WALL SECTION
SCALE: 1/2"=1'-0"



01 WALL SECTION
SCALE: 1/2"=1'-0"

1. 1" STUCCO ON STEEL WIRE MESH, PAINTED
2. STUCCO BAND
3. STANDING SEAM METAL ROOF, by "BERRIDGE"
4. STONE AS SCHEDULED
5. CAST STONE CAP
6. GALVANIZED METAL FLASHING - PAINTED
7. 10"X8" GALV. METAL DOWNSPOUT, CONNECTED TO UNDERGROUND STORM DRAIN SYSTEM, SEE CIVIL DRAWING.
8. 18"Wx12"H OVERFLOW SCUPPER
9. 18"Wx12"H ROOF SCUPPER WITH DRAIN BOX
10. CROWN MOLDING, PAINTED, SEE DETAIL FOR SIZE
11. BRICK - SEE ELEVATION
12. STRUCTURAL FRAME, PAINTED COLOR TO MATCH STANDING SEAM METAL ROOF
13. 3 PLY MODIFIED BITUMEN BUILT UP ROOF ON R=21 RIGID INSULATION ON 5/8" EXTERIOR PLY WOOD DECK (single ply is not acceptable)
14. TRUSS: SEE STRUCTURAL (TRUSS ORIENTATION AS SHOWN MAY VARY)
15. 5 1/2" R-19 BATT INSULATION AT ALL EXTERIOR WALLS
16. 2X6 WOOD STUDS @ 16" O.C. SEE STRUCTURAL
17. BRICK TIES, 22 GA, @ 16" O.C. HORIZONTAL & 32" O.C. VERTICAL.
18. WEEP HOLES @ 24" O.C.
19. PLASTIC FLASHING (THRU-WALL TYPE)
20. 1/2"X12" LG A.B. @ 36" O.C. RE:STRUCT.
21. 5/8" GYPSUM BOARD, PAINTED. (USE WATER RESISTANT GYP. BOARD AT PLUMBING WALLS)
22. SCHEDULED DOOR
23. SCHEDULED WINDOW
24. SCHEDULED BASE
25. HOLLOW METAL FRAME / DOOR
26. STEEL LINTEL, PAINTED COLOR TO MATCH WALL, SIZE SEE STRUCTURAL
27. SEALANT AND BACKER ROD
28. 1/2"X1/2" DRIP, "FRY REGLET"
29. 1"x1" FRY REGLET ALUM. REVEAL, PAINTED
30. CONTINUOUS CAULK
31. SOFFIT, PLASTER ON METAL LATH ON SHEATHING
32. CONTINUOUS SOFFIT VENT
33. W/P MEMBRANE OVER PLYWOOD SHEATHING ON STUDS. SEE BRACING NOTES ON STRUCTURAL DRAWING
34. 1/2" EXTERIOR PLYWOOD OR O.S.B. SHEATHING COVERED "TYVEK" STUCCO WARP
35. 3 PLY MODIFIED BITUMEN BUILT UP ROOF ON RIGID INSULATION ON PLYWOOD ROOF DECK (single ply is not acceptable)
36. STEEL BEAM. SEE STRUCTURAL
37. 2x TREATED WOOD BLOCK CONTINUOUS
38. STONE



DRAWING TITLE	
WALL SECTIONS	
DRAWN BY	CHECKED BY
DATE	JOB NO.
DRAWING NO. A-5.1	