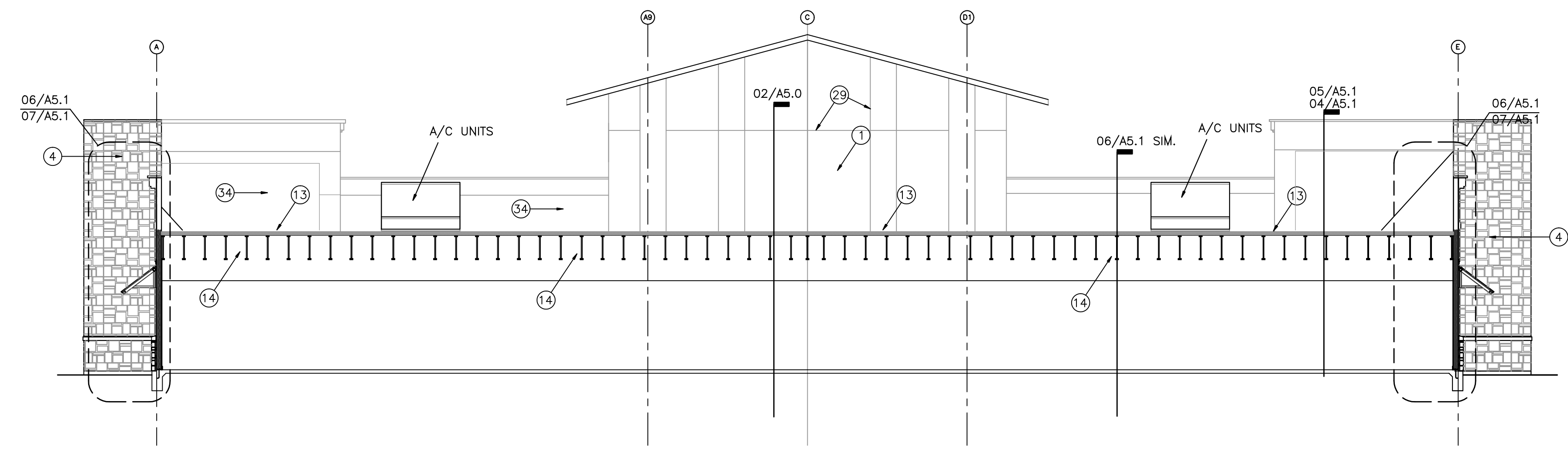
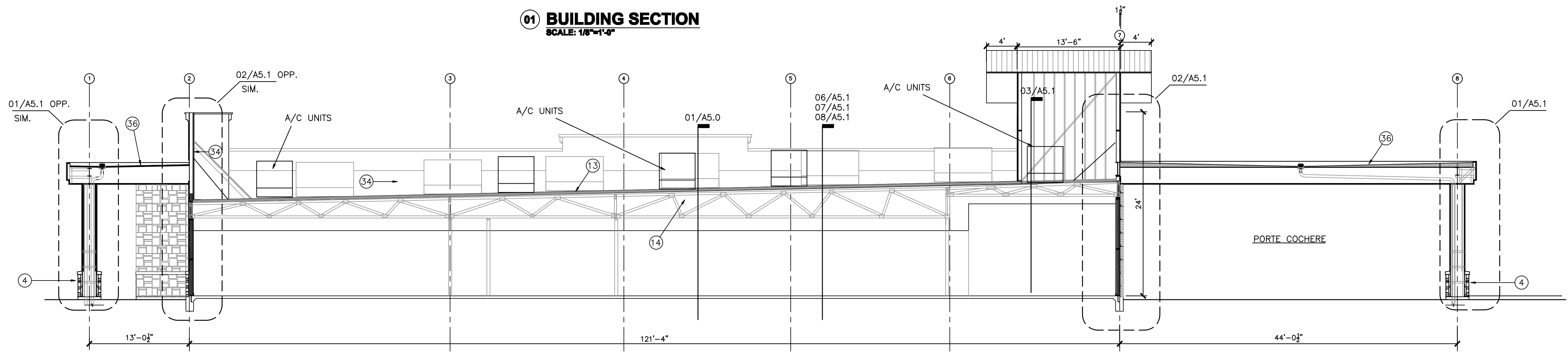


REVISIONS AND ISSUANCE		
NO.	DATE	DESCRIPTION
1	04152019	PRICING
2	06202019	PERMIT



**01 BUILDING SECTION**  
SCALE: 1/8"=1'-0"



**02 BUILDING SECTION**  
SCALE: 1/8"=1'-0"

1. 1" STUCCO ON STEEL WIRE MESH. PAINTED
2. STUCCO BAND
3. STANDING SEAM METAL ROOF, by "BERRIDGE"
4. STONE AS SCHEDULED
5. CAST STONE CAP
6. GALVANIZED METAL FLASHING - PAINTED
7. 10"x8" GALV. METAL DOWNSPOUT, CONNECTED TO UNDERGROUND STORM DRAIN SYSTEM, SEE CIVIL DRAWING.
8. 18"Wx12"H OVERFLOW SCUPPER
9. 18"Wx12"H ROOF SCUPPER WITH DRAIN BOX
10. CROWN MOLDING, PAINTED, SEE DETAIL FOR SIZE
11. BRICK - SEE ELEVATION
12. STRUCTURAL FRAME, PAINTED COLOR TO MATCH STANDING SEAM METAL ROOF
13. 3 PLY MODIFIED BITUMEN BUILT UP ROOF ON R=21 RIGID INSULATION ON 5/8" EXTERIOR PLY WOOD DECK (single ply is not acceptable)
14. TRUSS, SEE STRUCTURAL (TRUSS ORIENTATION AS SHOWN MAY VARY)
15. 5 1/2" R-19 BATT INSULATION AT ALL EXTERIOR WALLS
16. 2X6 WOOD STUDS @ 16" O.C. SEE STRUCTURAL
17. BRICK TIES, 22 GA, @ 16" O.C. HORIZONTAL & 32" O.C. VERTICAL.
18. WEEP HOLES @ 24" O.C.
19. PLASTIC FLASHING (THRU-WALL TYPE)
20. 1/2"x12" LG A.B. @ 36" O.C. RE:STRUCT.
21. 5/8" GYPSUM BOARD, PAINED. (USE WATER RESISTANT GYP. BOARD AT PLUMBING WALLS)
22. SCHEDULED DOOR
23. SCHEDULED WINDOW
24. SCHEDULED BASE
25. HOLLOW METAL FRAME / DOOR
26. STEEL LINTEL, PAINTED COLOR TO MATCH WALL, SIZE SEE STRUCTURAL
27. SEALANT AND BACKER ROD
28. 1/2"x1/2" DRIP, 'FRY REGLET'
29. 1"x1" FRY REGLET ALUM. REVEAL, PAINTED
30. CONTINUOUS CAULK
32. SOFFIT, PLASTER ON METAL LATH ON SHEATHING
33. CONTINUOUS SOFFIT VENT
34. W/P MEMBRANE OVER PLYWOOD SHEATHING ON STUDS, SEE BRACING NOTES ON STRUCTURAL DRAWING
35. 1/2" EXTERIOR PLYWOOD OR O.S.B. SHEATHING COVERED "TYVEK" STUCCO WARP
36. 3 PLY MODIFIED BITUMEN BUILT UP ROOF ON RIGID INSULATION ON PLYWOOD ROOF DECK (single ply is not acceptable)
37. STEEL BEAM, SEE STRUCTURAL
38. 2x TREATED WOOD BLOCK CONTINUOUS
39. STONE

**GENERAL NOTES**

1. ALL INSULATION MATERIAL SHALL HAVE A FLAME SPREAD RATING OF NOT MORE THAN 25 AND SHALL HAVE A SMOKE DEVELOPED RATING OF NOT MORE THAN 450.

**IVY KIDS EARLY LEARNING CENTER**  
 LOT COM2I  
 CROSS CREEK RANCH  
 6407 CROSS CREEK BEND LANE  
 FULSHEAR, TX 77441



DRAWING TITLE	
<b>BUILDING SECTIONS</b>	
DRAWN BY	CHECKED BY
DATE	JOB NO.
DRAWING NO.	

**A-5.0**