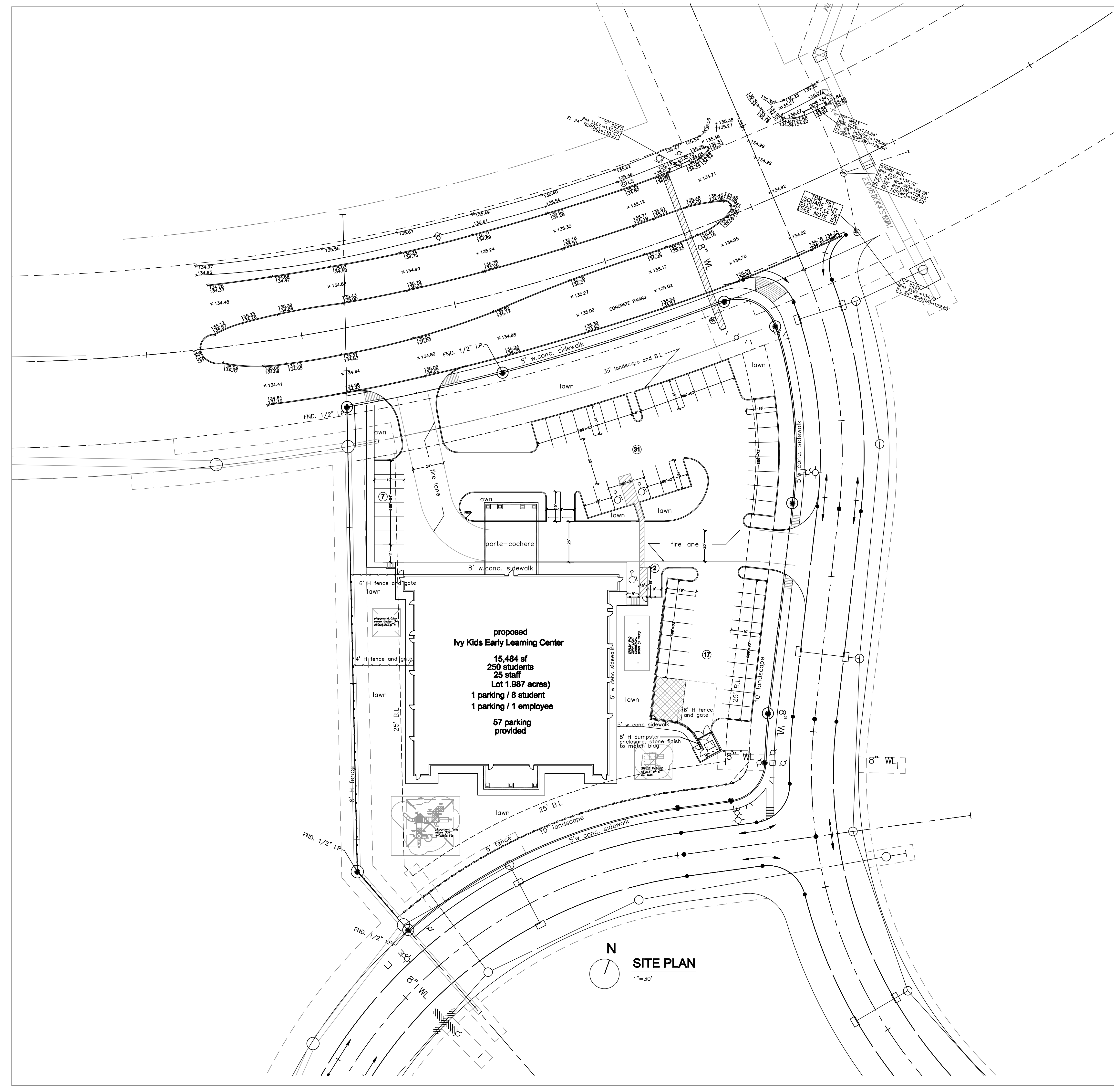


REVISIONS AND ISSUANCE		
NO.	DATE	DESCRIPTION
1	04152019	PRICING
2	06202019	PERMIT
04162019	05102019	ARC phase I ARC phase I - resubmit

IVY KIDS EARLY LEARNING CENTER
LOT COM2I
CROSS CREEK RANCH
6407 CROSS CREEK BEND LANE
FULSHEAR, TX 77441



FIRE LANE STRIPING DETAILS

25' SPACING
TYPICAL

NO PARKING - FIRE LANE NO PARKING - FIRE LANE

NO PARKING - FIRE LANE NO PARKING - FIRE LANE

GENERAL NOTES:

A. STRIPING TO BE DONE IN ACCORDANCE WITH COUNTY STANDARDS. THE PAVEMENT MARKING SHALL BE FROM THE TOP OF THE SEAM OF THE CURB TO A POINT EVEN WITH THE DRIVING SURFACE, (OR ON THE SURFACE WHERE THERE IS NO CURB)

STRIPING DETAIL:

A. PAINT:

1. STRIPE SHALL BE SIX (6) INCHES WIDE PAINTED WITH AN EXTERIOR ACRYLIC LATEX PAINT.

A. COLOR SHALL BE " TRAFFIC RED" GLIDDEN NO. 63251 OR EQUAL.

2. LETTER SHALL BE FOUR (4) INCHES HIGH PAINTED WITH AN EXTERIOR ACRYLIC LATEX PAINT. LETTERS TO BE ONE (1) INCH STROKE.

B. COLOR SHALL BE " TRAFFIC WHITE" GLIDDEN NO. 563245 OR EQUAL.

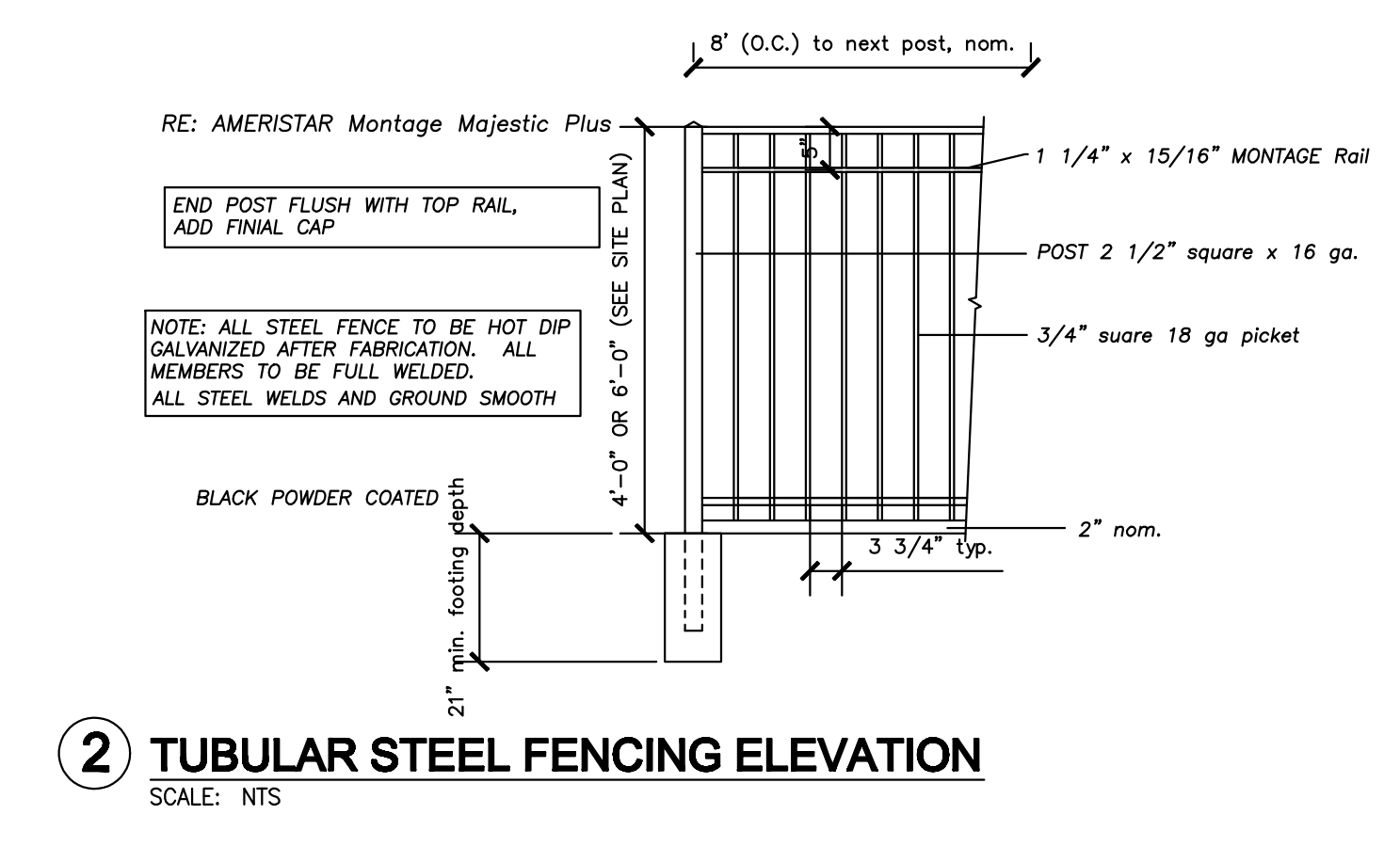
B. APPLICATION:

1. STRIPE MAY BE BRUSHED OR SPARAYED, ONE COAT TO FINISH.

2. LETTERS SHALL BE STENCIL FORMED, BRUSH APPLIED AND SPACED AS DETAILED ON THIS SHEET.

FIRE LANES SHALL BE CONSTRUCTED IN ACCORDANCE WITH FORT BEND ENGINEERING DEPARTMENT. FIRE LANES SHALL BE CONSTRUCTED OF CONCRETE SURFACE CAPABLE OF SUPPORTING THE IMPOSED LOADS OF A 2 AXLE, 75,000 LB. FIRE APPARATUS. SEE CIVIL DRAWINGS FOR ALL OTHER DESIGN DATA.

① FIRE DEPT. STANDARDS



NOTE

PLAY GROUND SITES (INCLUDING SPLASH PAD) AS SHOWN ARE FOR LOCATION ONLY. THEIR DESIGN AND INSTALLATION SHALL BE BY PLAY GROUND VENDOR(S). PLAY GROUND VENDOR(S) IS (ARE) RESPONSIBLE TO SUBMIT DESIGN / CONSTRUCTION DRAWINGS TO PERTINENT AUTHORITIES FOR REVIEW AND APPROVAL. GENERAL CONTRACTOR IS RESPONSIBLE FOR A COMPLETE COORDINATION, INCLUDING BUT NOT LIMITED TO PROVIDE/MAINTAIN A POSITIVE DRAINAGE SYSTEM.



DRAWING TITLE

SITE PLAN

DRAWN BY	CHECKED BY
DATE	JOB NO.
09/20/2018	fulshear
DRAWING NO.	A-10